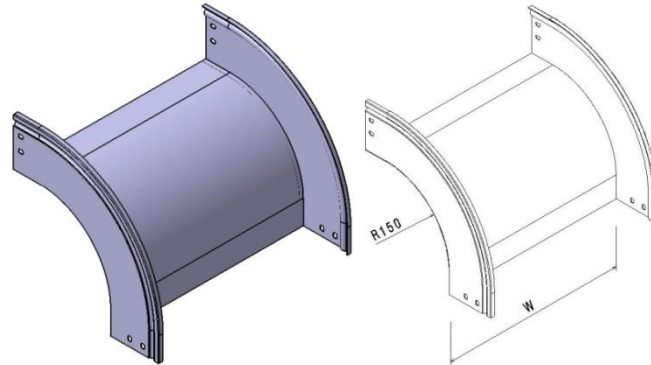


P31 Outside Riser 90° H100 HDG

Reference(s) : 347 737 to 743



Ref.	Description	Raw Material (R.M.)	R.M. Standard	Coating Standard	W (mm)	Thickness (mm)	Weight (kg)
347 737	Outside riser 90° P31 HDG H100 W100	DX51D Z275 (RE MIN 220 MPA)	EN10346	ISO1461	100	1	1.0
347 738	Outside riser 90° P31 HDG H100 W150	DX51D Z275 (RE MIN 220 MPA)	EN10346	ISO1461	150	1	1.1
347 739	Outside riser 90° P31 HDG H100 W200	DX51D Z275 (RE MIN 220 MPA)	EN10346	ISO1461	200	1	1.3
347 740	Outside riser 90° P31 HDG H100 W300	DX51D Z275 (RE MIN 220 MPA)	EN10346	ISO1461	300	1	1.5
347 741	Outside riser 90° P31 HDG H100 W400	DX51D Z275 (RE MIN 220 MPA)	EN10346	ISO1461	400	1	1.8
347 742	Outside riser 90° P31 HDG H100 W500	DX51D Z275 (RE MIN 220 MPA)	EN10346	ISO1461	500	1	2.1
347 743	Outside riser 90° P31 HDG H100 W600	DX51D Z275 (RE MIN 220 MPA)	EN10346	ISO1461	600	1	2.5