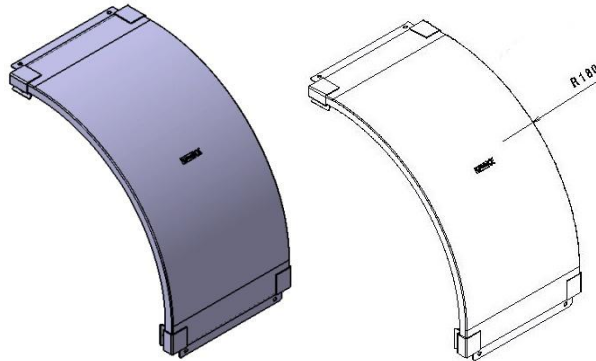


**P31HD - Cover Outside Riser 90°**

Reference(s) : 347 610 to 614

**R180 mm PG**


| Ref.    | Description                       | Raw Material (R.M.)         | R.M. Standard | Coating Standard | W (mm) | Thickness (mm) | Weight (kg) |
|---------|-----------------------------------|-----------------------------|---------------|------------------|--------|----------------|-------------|
| 347 610 | Cover Outside Riser 90° W75 R100  | DX51D Z275 (RE MIN 220 MPA) | EN10346       | //               | 77     | 1              | 0.2         |
| 347 611 | Cover Outside Riser 90° W100 R100 | DX51D Z275 (RE MIN 220 MPA) | EN10346       | //               | 100    | 1              | 0.3         |
| 347 612 | Cover Outside Riser 90° W150 R100 | DX51D Z275 (RE MIN 220 MPA) | EN10346       | //               | 150    | 1              | 0.45        |
| 347 613 | Cover Outside Riser 90° W200 R100 | DX51D Z275 (RE MIN 220 MPA) | EN10346       | //               | 200    | 1              | 0.6         |
| 347 614 | Cover Outside Riser 90° W300 R100 | DX51D Z275 (RE MIN 220 MPA) | EN10346       | //               | 300    | 1              | 0.9         |