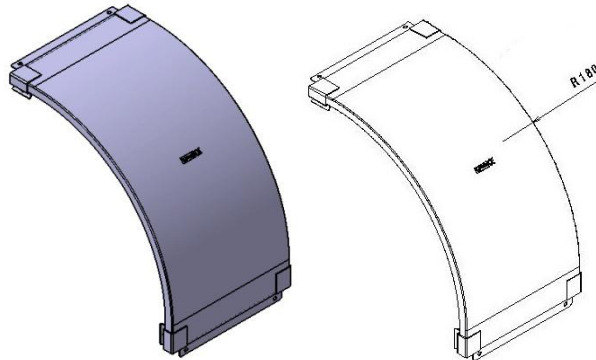


**P31 Cover Outside Riser 90° R180 mm
HDG**

Reference(s) : 345 464 to 468



Ref.	Description	Raw Material (R.M.)	R.M. Standard	Coating Standard	W (mm)	Thickness (mm)	Weight (kg)
345 464	Cover Outside Riser 90° HDG W75 R100	DX51D Z275 (RE MIN 220 MPA)	EN10346	ISO1461	77	1	0.2
345 465	Cover Outside Riser 90° HDG W100 R100	DX51D Z275 (RE MIN 220 MPA)	EN10346	ISO1461	100	1	0.3
345 466	Cover Outside Riser 90° HDG W150 R100	DX51D Z275 (RE MIN 220 MPA)	EN10346	ISO1461	150	1	0.45
345 467	Cover Outside Riser 90° HDG W200 R100	DX51D Z275 (RE MIN 220 MPA)	EN10346	ISO1461	200	1	0.6
345 468	Cover Outside Riser 90° HDG W300 R100	DX51D Z275 (RE MIN 220 MPA)	EN10346	ISO1461	300	1	0.9