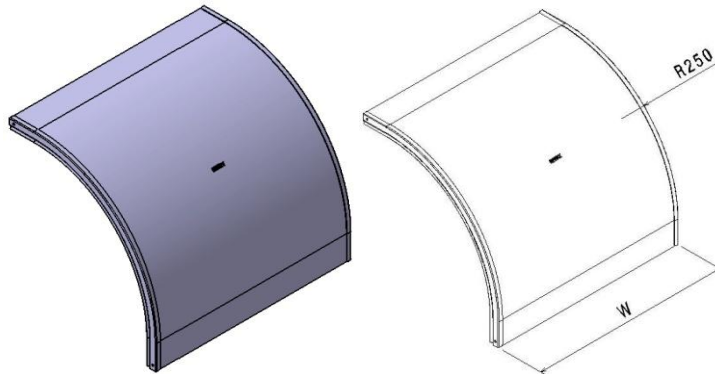


**P31HD - Cover Outside Riser 90°
R250 mm PG**

Reference(s) : 347 615 to 621



Ref.	Description	Raw Material (R.M.)	R.M. Standard	Coating Standard	W (mm)	Thickness (mm)	Weight (kg)
347 618	Cover Outside Riser 90° W100 R150	DX51D Z275 (RE MIN 220 MPA)	EN10346	//	100	1	0.5
347 619	Cover Outside Riser 90° W150 R150	DX51D Z275 (RE MIN 220 MPA)	EN10346	//	150	1	0.6
347 620	Cover Outside Riser 90° W200 R150	DX51D Z275 (RE MIN 220 MPA)	EN10346	//	200	1	0.8
347 621	Cover Outside Riser 90° W300 R150	DX51D Z275 (RE MIN 220 MPA)	EN10346	//	300	1	1.1
347 615	Cover Outside Riser 90° W400 R150	DX51D Z275 (RE MIN 220 MPA)	EN10346	//	400	1	1.5
347 616	Cover Outside Riser 90° W500 R150	DX51D Z275 (RE MIN 220 MPA)	EN10346	//	500	1	1.8
347 617	Cover Outside Riser 90° W600 R150	DX51D Z275 (RE MIN 220 MPA)	EN10346	//	600	1	2