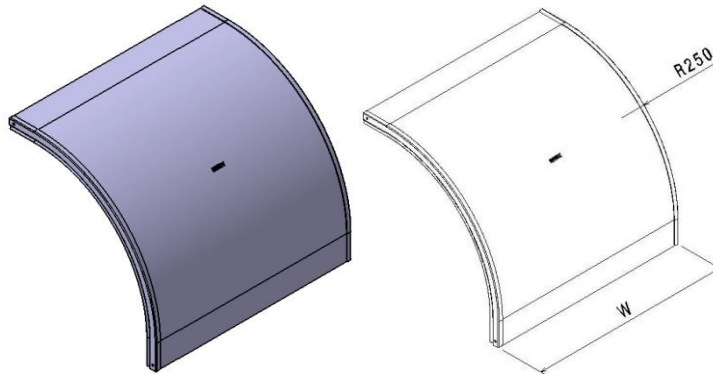


**P31 Cover Outside Riser 90° R250 mm  
HDG**

Reference(s) : 345 469 to 475



Ref.	Description	Raw Material (R.M.)	R.M. Standard	Coating Standard	W (mm)	Thickness (mm)	Weight (kg)
345 472	Cover Outside Riser 90° HDG W100 R150	DX51D Z275 (RE MIN 220 MPA)	EN10346	ISO1461	100	1	0.5
345 473	Cover Outside Riser 90° HDG W150 R150	DX51D Z275 (RE MIN 220 MPA)	EN10346	ISO1461	150	1	0.6
345 474	Cover Outside Riser 90° HDG W200 R150	DX51D Z275 (RE MIN 220 MPA)	EN10346	ISO1461	200	1	0.8
345 475	Cover Outside Riser 90° HDG W300 R150	DX51D Z275 (RE MIN 220 MPA)	EN10346	ISO1461	300	1	1.1
345 469	Cover Outside Riser 90° HDG W400 R150	DX51D Z275 (RE MIN 220 MPA)	EN10346	ISO1461	400	1	1.5
345 470	Cover Outside Riser 90° HDG W500 R150	DX51D Z275 (RE MIN 220 MPA)	EN10346	ISO1461	500	1	1.8
345 471	Cover Outside Riser 90° HDG W600 R150	DX51D Z275 (RE MIN 220 MPA)	EN10346	ISO1461	600	1	2