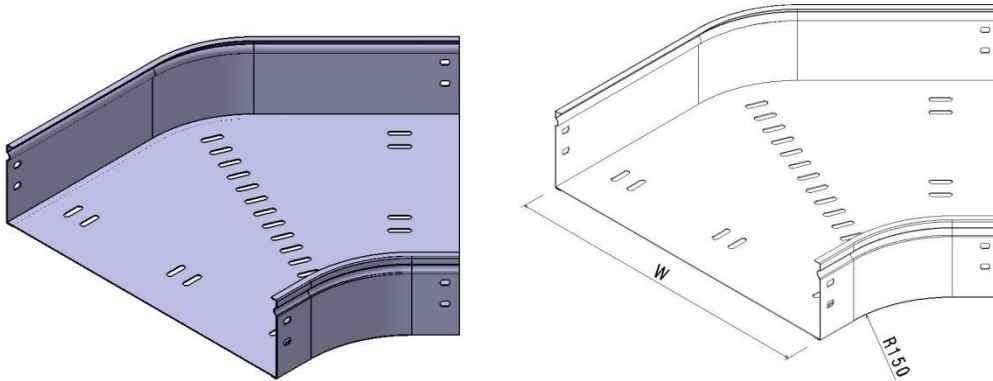


**P31 Flat Bend 45° H100 W400→600 mm  
PG**

Reference(s) : 347 572 to 574



Ref.	Description	Raw Material (R.M.)	R.M. Standard	W (mm)	Thickness (mm)	Weight (kg)
347 572	Flat Bend 45° P31 H100 W400	DX51D Z275 (RE MIN 220 MPA)	EN10346	400	1	1.9
347 573	Flat Bend 45° P31 H100 W500	DX51D Z275 (RE MIN 220 MPA)	EN10346	500	1	2.4
347 574	Flat Bend 45° P31 H100 W600	DX51D Z275 (RE MIN 220 MPA)	EN10346	600	1	3.1