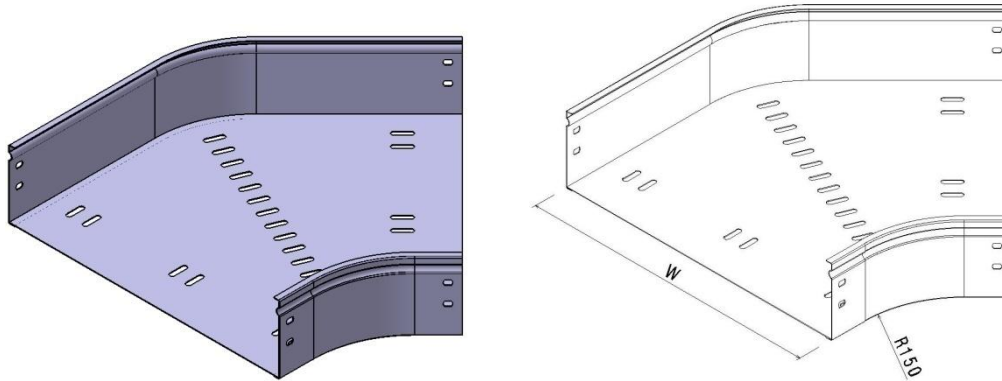


**P31 Flat Bend 45° H100 W400→600 mm
HDG**

Reference(s) : 347 755 to 757



Ref.	Description	Raw Material (R.M.)	R.M. Standard	Coating Standard	W (mm)	Thickness (mm)	Weight (kg)
347 755	Flat Bend 45° P31 HDG H100 W400	DX51D Z275 (RE MIN 220 MPA)	EN10346	ISO1461	400	1	1.9
347 756	Flat Bend 45° P31 HDG H100 W500	DX51D Z275 (RE MIN 220 MPA)	EN10346	ISO1461	500	1	2.4
347 757	Flat Bend 45° P31 HDG H100 W600	DX51D Z275 (RE MIN 220 MPA)	EN10346	ISO1461	600	1	3.1