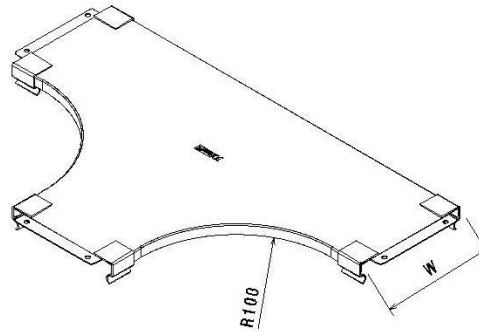
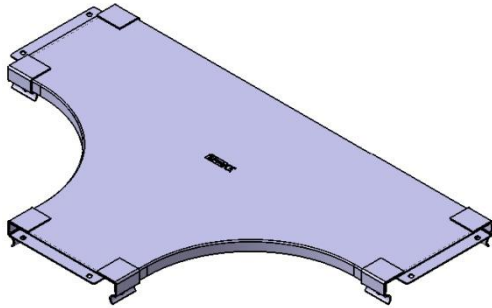


P31HD - Cover Flat T

Reference(s) : 347 641 to 645

W75→300 mm R100 mm PG


Ref.	Description	Raw Material (R.M.)	R.M. Standard	Coating Standard	W (mm)	Thickness (mm)	Weight (kg)
347 641	Cover Flat T W75	DX51D Z275 (RE MIN 220 MPA)	EN10346	//	77	1	0.4
347 642	Cover Flat T W100	DX51D Z275 (RE MIN 220 MPA)	EN10346	//	100	1	0.5
347 643	Cover Flat T W150	DX51D Z275 (RE MIN 220 MPA)	EN10346	//	150	1	0.7
347 644	Cover Flat T W200	DX51D Z275 (RE MIN 220 MPA)	EN10346	//	200	1	1
347 645	Cover Flat T W300	DX51D Z275 (RE MIN 220 MPA)	EN10346	//	300	1	1.4