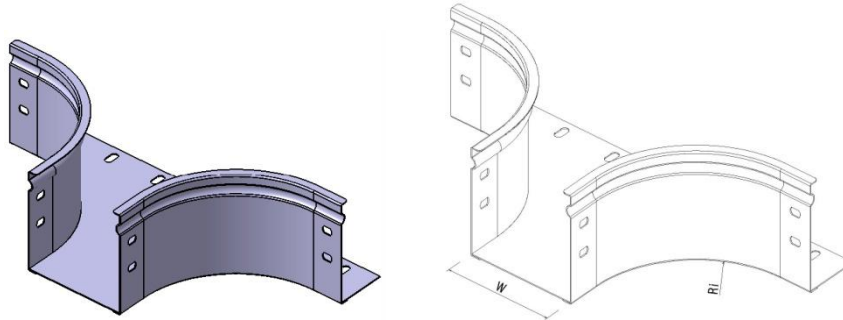


P31 Branch H100 PG
Reference(s) : 347 589 to 595


Ref.	Description	Raw Material (R.M.)	R.M. Standard	W (mm)	Ri (mm)	Thickness (mm)	Weight (kg)
347 589	Branch P31 H100 W100	DX51D Z275 (RE MIN 220 MPA)	EN10346	100	100	1	1
347 590	Branch P31 H100 W150	DX51D Z275 (RE MIN 220 MPA)	EN10346	150	100	1	1.1
347 591	Branch P31 H100 W200	DX51D Z275 (RE MIN 220 MPA)	EN10346	200	100	1	1.2
347 592	Branch P31 H100 W300	DX51D Z275 (RE MIN 220 MPA)	EN10346	300	100	1	1.5
347 593	Branch P31 H100 W400	DX51D Z275 (RE MIN 220 MPA)	EN10346	400	150	1	2.5
347 594	Branch P31 H100 W500	DX51D Z275 (RE MIN 220 MPA)	EN10346	500	150	1	2.8
347 595	Branch P31 H100 W600	DX51D Z275 (RE MIN 220 MPA)	EN10346	600	150	1	3.2