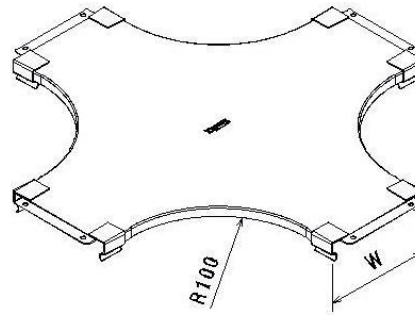
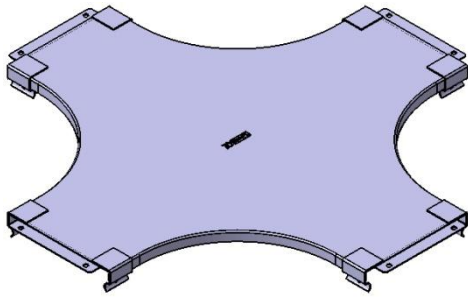


**P31HD - Cover Crosspieces
W75→300 mm PG**

Reference(s) : 347 650 to 654



Ref.	Description	Raw Material (R.M.)	R.M. Standard	Coating Standard	W (mm)	Thickness (mm)	Weight (kg)
347 650	Cover Flat T W75	DX51D Z275 (RE MIN 220 MPA)	EN10346	//	77	1	0.5
347 651	Cover Flat T W100	DX51D Z275 (RE MIN 220 MPA)	EN10346	//	100	1	0.6
347 652	Cover Flat T W150	DX51D Z275 (RE MIN 220 MPA)	EN10346	//	150	1	1
347 653	Cover Flat T W200	DX51D Z275 (RE MIN 220 MPA)	EN10346	//	200	1	1.2
347 654	Cover Flat T W300	DX51D Z275 (RE MIN 220 MPA)	EN10346	//	300	1	2