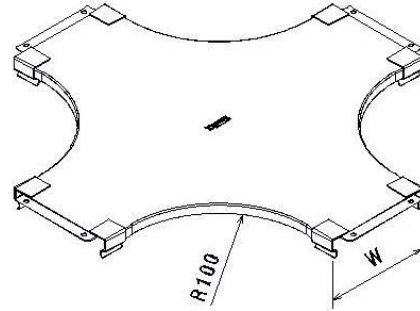
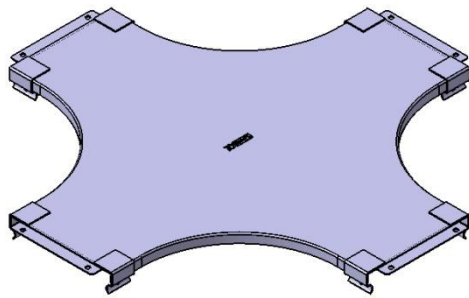


P31 HD Cover Crosspieces W75→300 mm HDG

Reference(s) : 345 789 to 345 793



Ref.	Description	Raw Material (R.M.)	R.M. Standard	Coating Standard	W (mm)	Thickness (mm)	Weight (kg)
345 789	Cover Flat T W75	DX51D+Z275 (RE min 220 MPa)	EN10346	ISO 1461	77	1	0.55
345 790	Cover Flat T W100				100	1	0.67
345 791	Cover Flat T W150				150	1	1.1
345 792	Cover Flat T W200				200	1	1.3
345 793	Cover Flat T W300				300	1	2.2