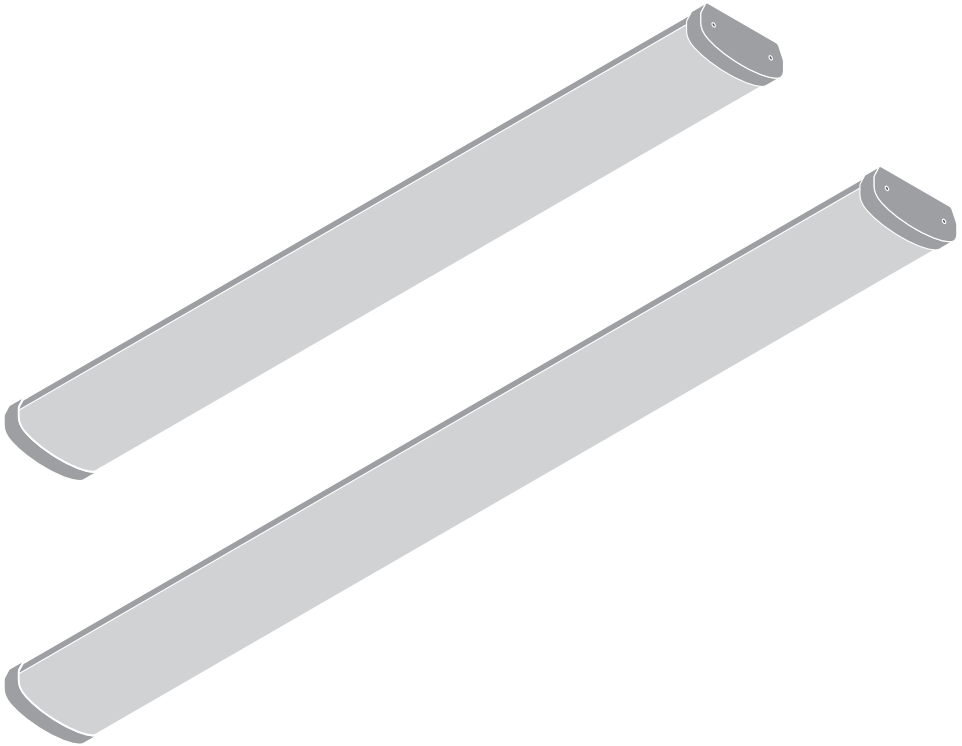
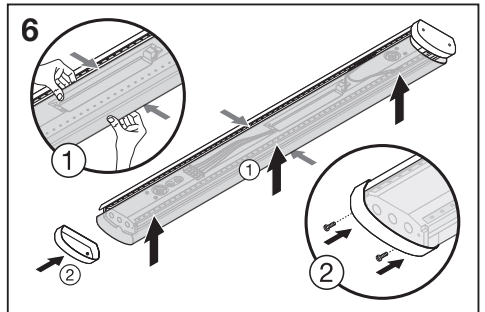
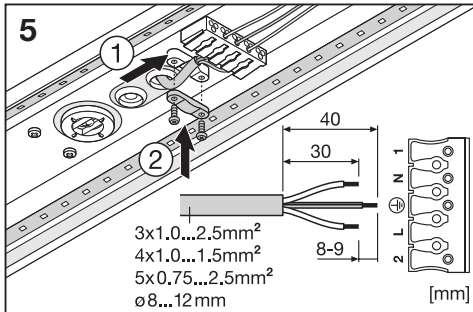
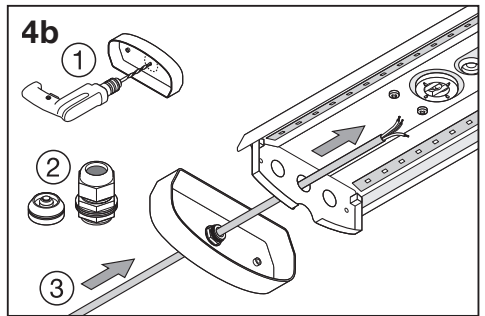
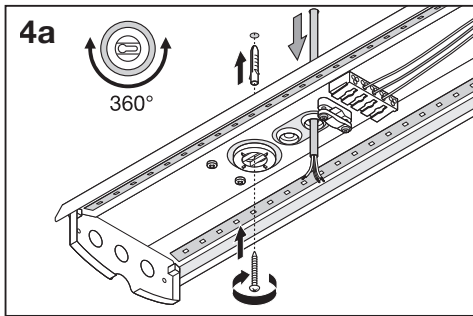
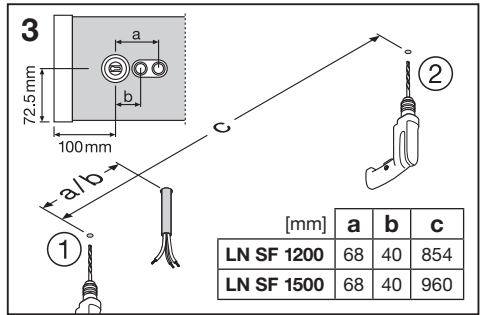
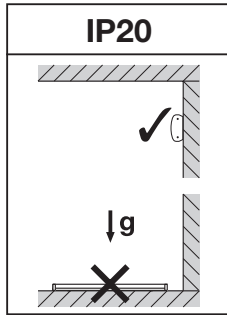
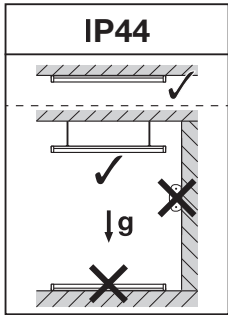
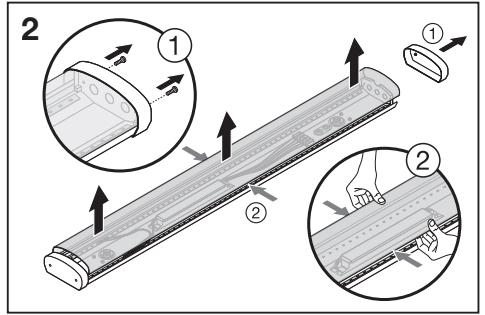
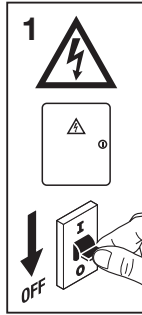
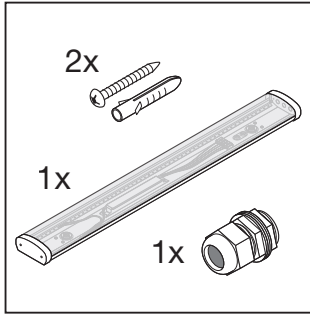
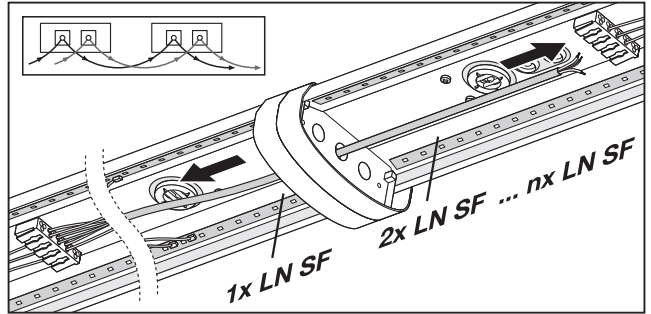
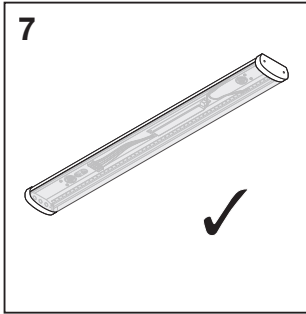

LINEAR SURFACE



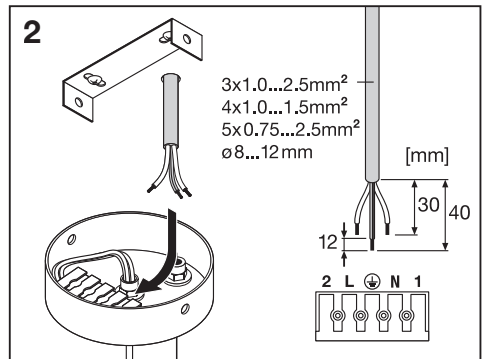
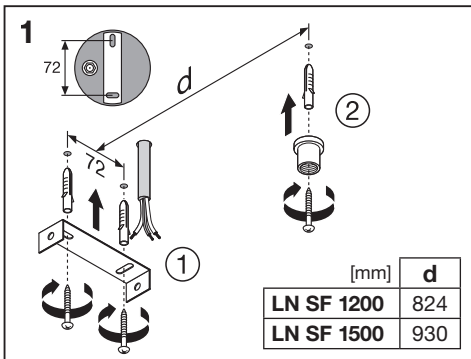
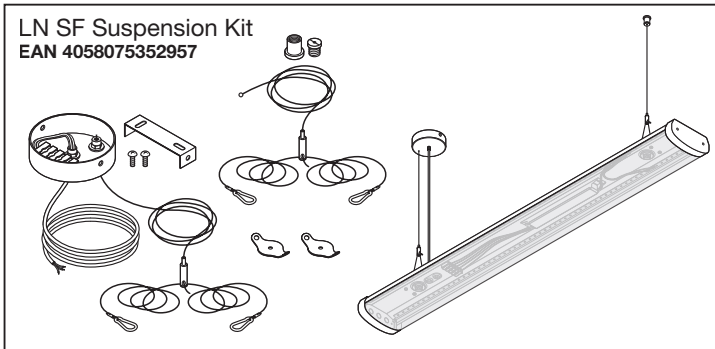
	EAN	l x w x h [mm]	W	V _{AC}	Hz	lm	lm/W	K
LN SF 1200 36W/3000K WT IP44	4058075352872	1199x145x64.5	36	220-240V	50/60Hz	4000	110	3000
LN SF 1200 36W/4000K WT IP44	4058075352896	1199x145x64.5	36	220-240V	50/60Hz	4000	110	4000
LN SF 1500 43W/3000K WT IP44	4058075352919	1499x145x64.5	43	220-240V	50/60Hz	5000	115	3000
LN SF 1500 43W/4000K WT IP44	4058075352933	1499x145x64.5	43	220-240V	50/60Hz	5000	115	4000

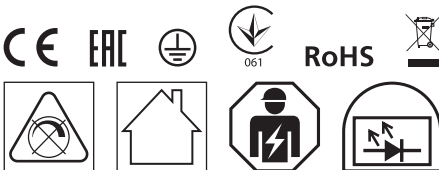
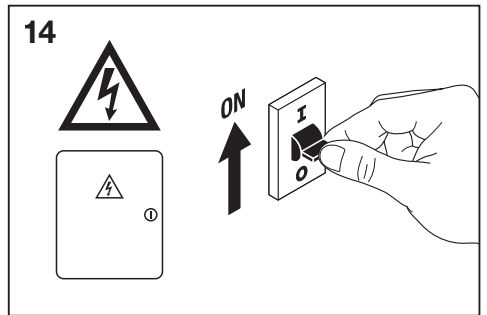
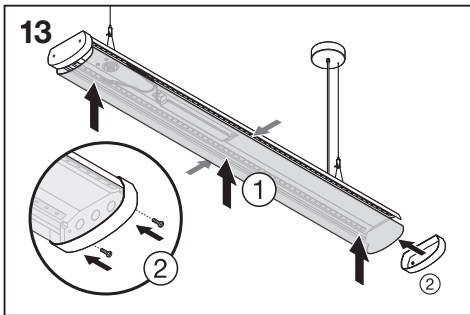
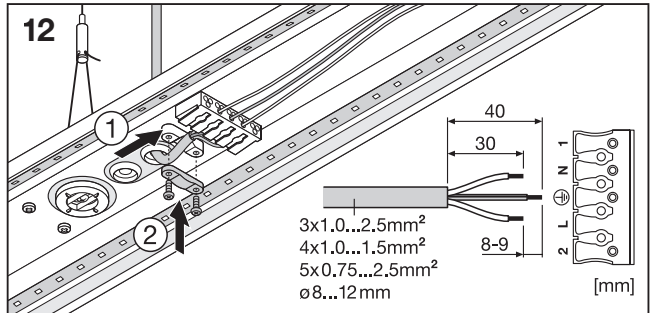
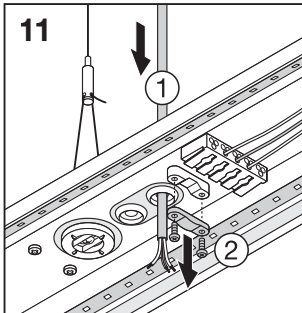
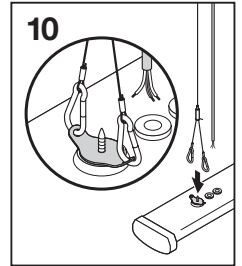
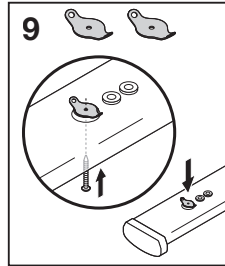
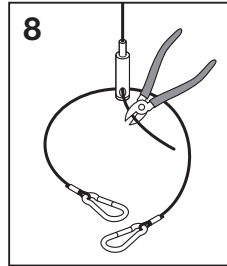
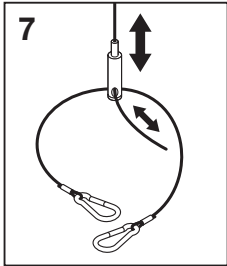
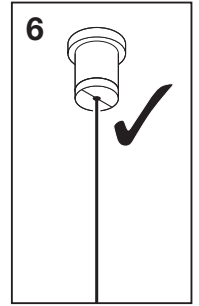
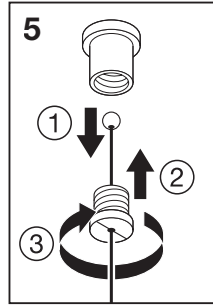
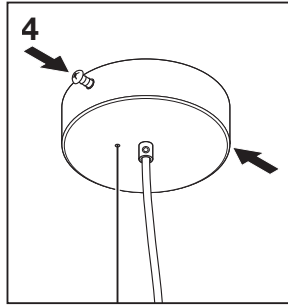
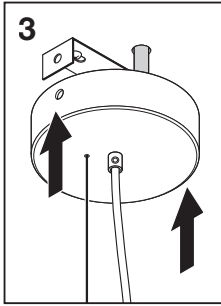
	EAN	IP	IK	∇	R _a	⌈ (°C)	PF	👤
LN SF 1200 36W/3000K WT IP44	4058075352872	44	08	120°	≥ 80	-20...+40	≥ 0.9	2.3 kg
LN SF 1200 36W/4000K WT IP44	4058075352896	44	08	120°	≥ 80	-20...+40	≥ 0.9	2.3 kg
LN SF 1500 43W/3000K WT IP44	4058075352919	44	08	120°	≥ 80	-20...+40	≥ 0.9	2.7 kg
LN SF 1500 43W/4000K WT IP44	4058075352933	44	08	120°	≥ 80	-20...+40	≥ 0.9	2.7 kg





n	B16	C10	C16
LN SF 1200	21	18	30
LN SF 1500	21	18	30





C10449057
G11094314
09.03.20



LEDVANCE GmbH
Steinerne Furt 62
86167 Augsburg, Germany
www.ledvance.com