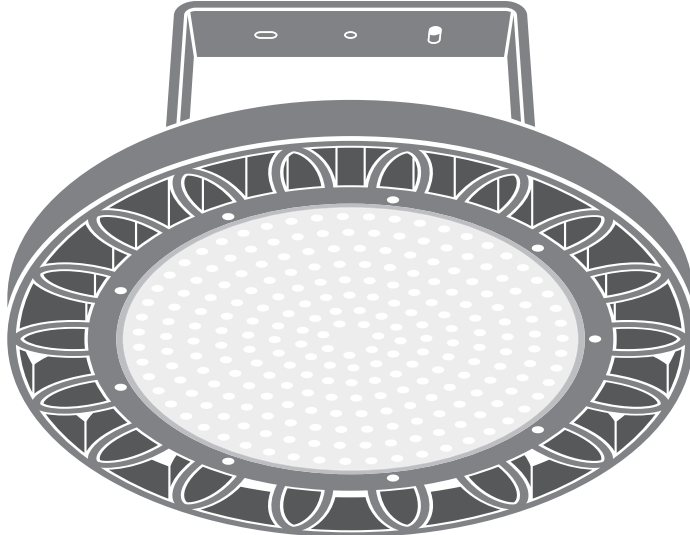
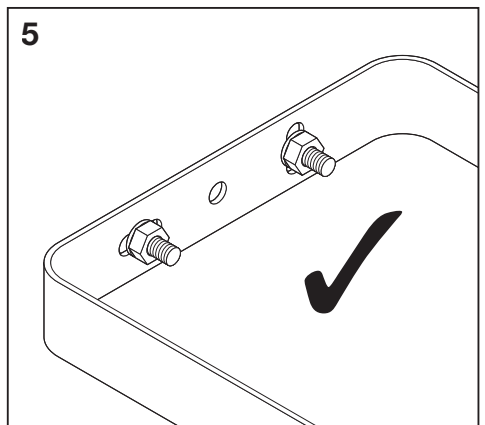
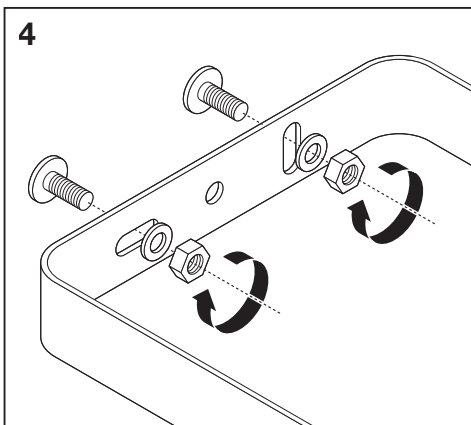
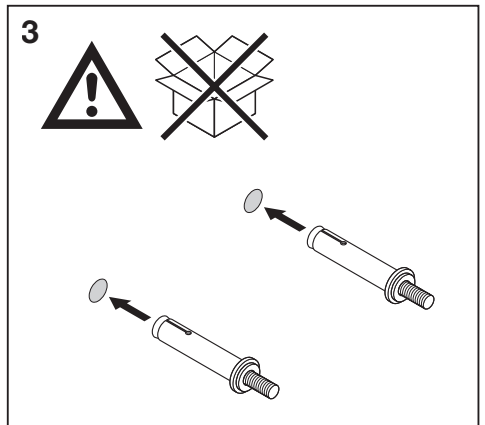
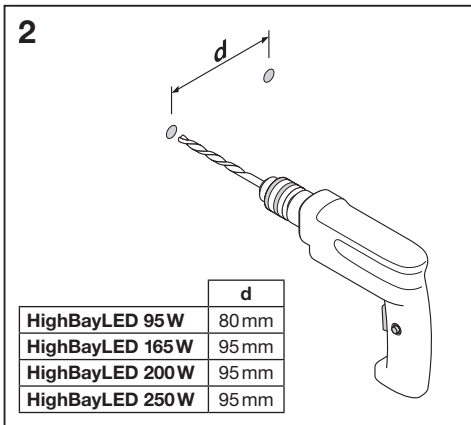
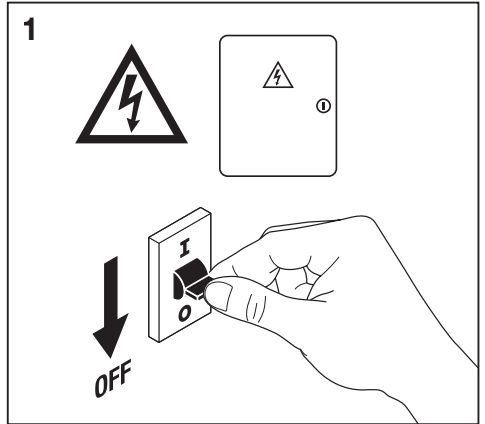
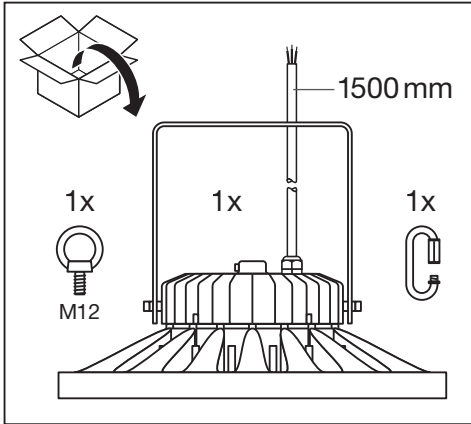


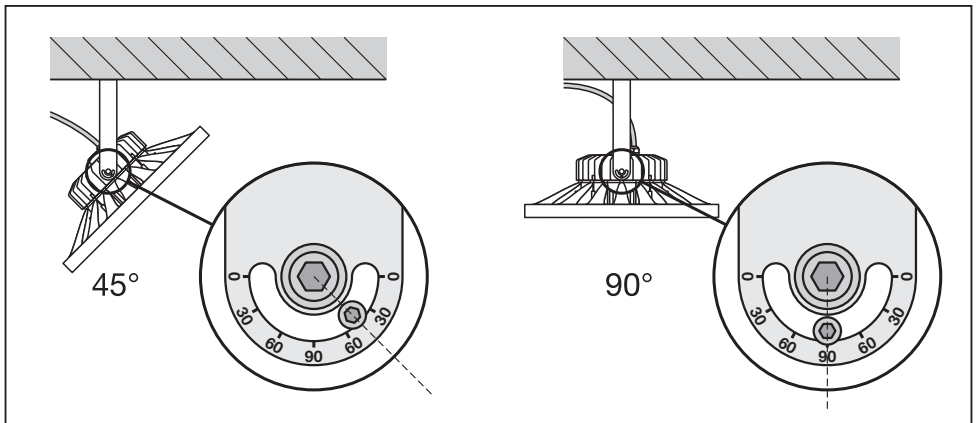
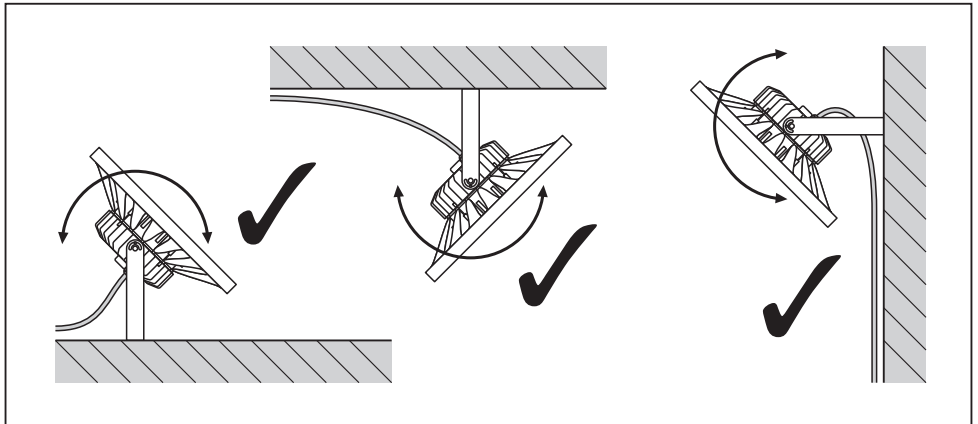
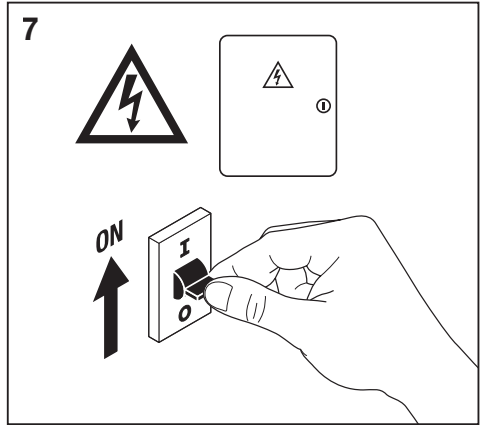
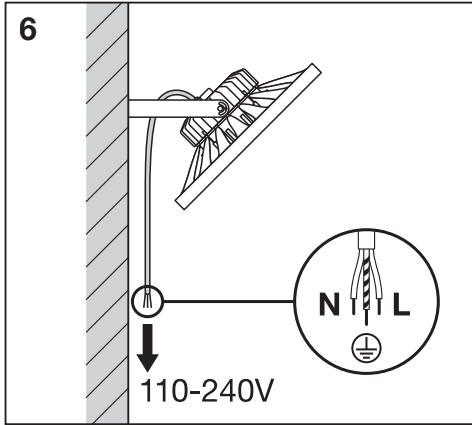
HIGHBAY LED

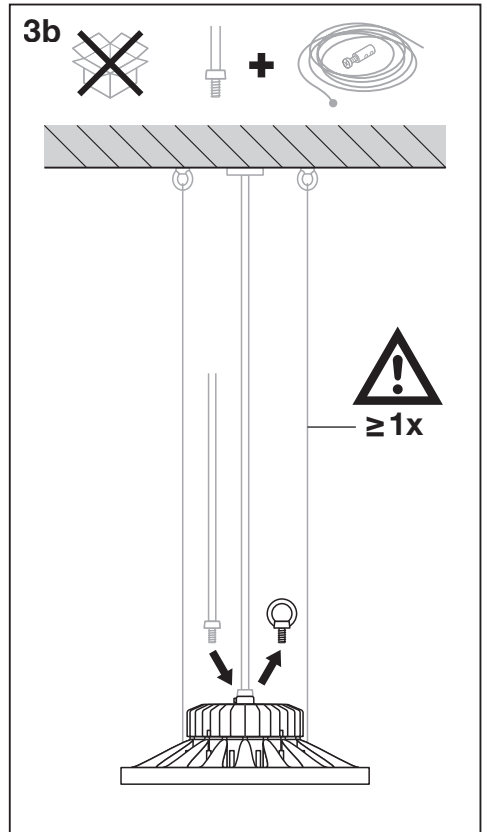
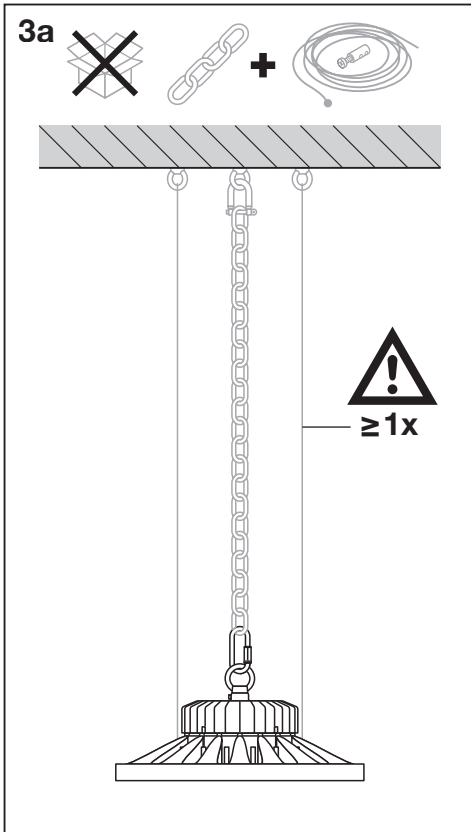
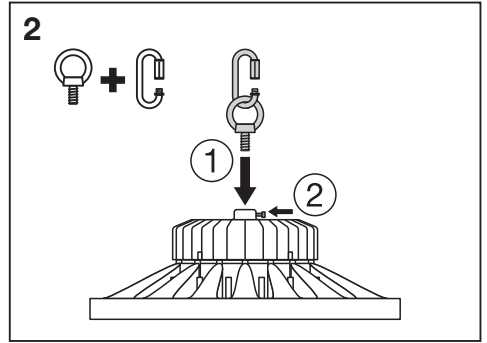
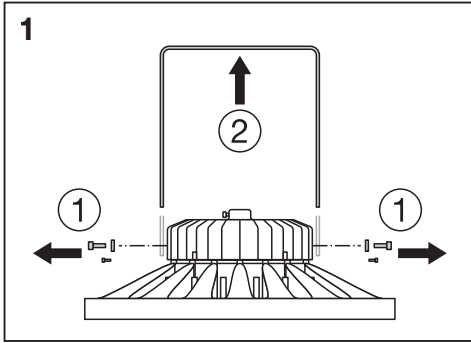


	EAN	Ø x h [mm]	W	lm	lm/W	I [mA]	K	IP	IK
HIGHBAY LED 95W/4000K 90DEG IP65	4058075074330	285 x 129.5	95	13000	135	440	4000	65	08
HIGHBAY LED 95W/6500K 90DEG IP65	4058075074347	285 x 129.5	95	13000	135	440	6500	65	08
HIGHBAY LED 95W/4000K 110DEG IP65	4058075074354	285 x 129.5	95	13000	135	440	4000	65	08
HIGHBAY LED 165W/4000K 70DEG IP65	4058075074361	376 x 139	165	22000	135	730	4000	65	08
HIGHBAY LED 165W/6500K 70DEG IP65	4058075074378	376 x 139	165	22000	135	730	6500	65	08
HIGHBAY LED 200W/4000K 110DEG IP65	4058075074385	376 x 139	200	27000	135	900	4000	65	08
HIGHBAY LED 250W/4000K BK	4058075255432	452 x 160	250	30000	120	1150	4000	65	08
HIGHBAY LED 250W/6500K BK	4058075255449	452 x 160	250	30000	120	1150	6500	65	08

	EAN	°C	V _{AC}	Hz	∇	PF	R _a	👤
HIGHBAY LED 95W/4000K 90DEG IP65	4058075074330	-30 ... +50	100-240V	50/60 Hz	90°	> 0.9	≥80	3.1 kg
HIGHBAY LED 95W/6500K 90DEG IP65	4058075074347	-30 ... +50	100-240V	50/60 Hz	90°	> 0.9	≥80	3.1 kg
HIGHBAY LED 95W/4000K 110DEG IP65	4058075074354	-30 ... +50	100-240V	50/60 Hz	110°	> 0.9	≥80	3.1 kg
HIGHBAY LED 165W/4000K 70DEG IP65	4058075074361	-30 ... +50	100-240V	50/60 Hz	70°	> 0.9	≥80	4.4 kg
HIGHBAY LED 165W/6500K 70DEG IP65	4058075074378	-30 ... +50	100-240V	50/60 Hz	70°	> 0.9	≥80	4.4 kg
HIGHBAY LED 200W/4000K 110DEG IP65	4058075074385	-30 ... +50	100-240V	50/60 Hz	110°	> 0.9	≥80	4.5 kg
HIGHBAY LED 250W/4000K BK	4058075255432	-30 ... +50	100-240V	50/60 Hz	70°	> 0.9	≥80	6.3 kg
HIGHBAY LED 250W/6500K BK	4058075255449	-30 ... +50	100-240V	50/60 Hz	70°	> 0.9	≥80	6.3 kg







CE EAC RoHS



C10449057
G11066217
17.01.19



LEDVANCE GmbH
Steinerne Furt 62
86167 Augsburg, Germany
www.ledvance.com