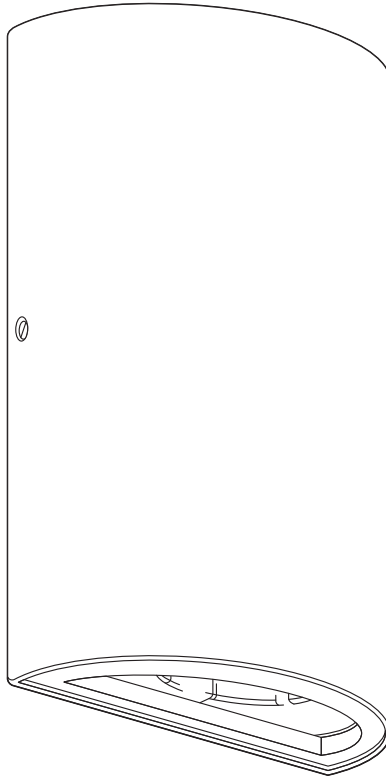
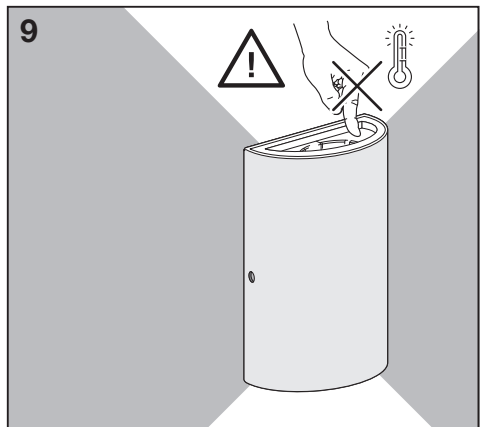
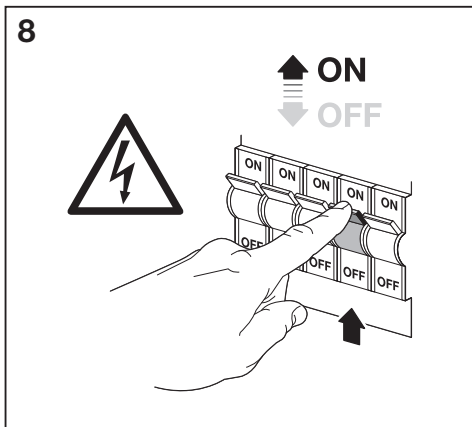
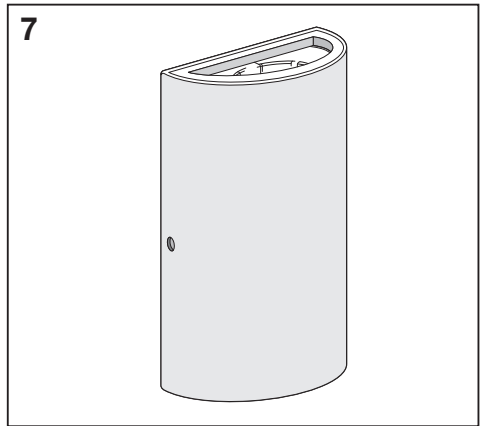
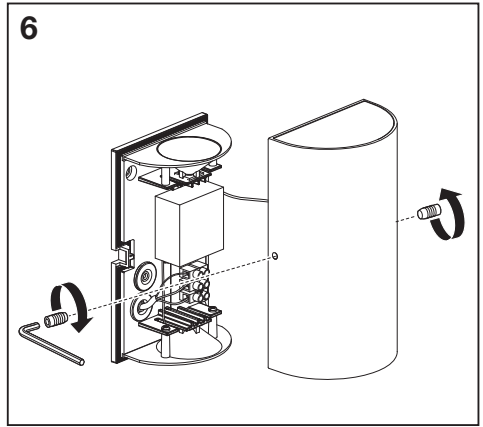
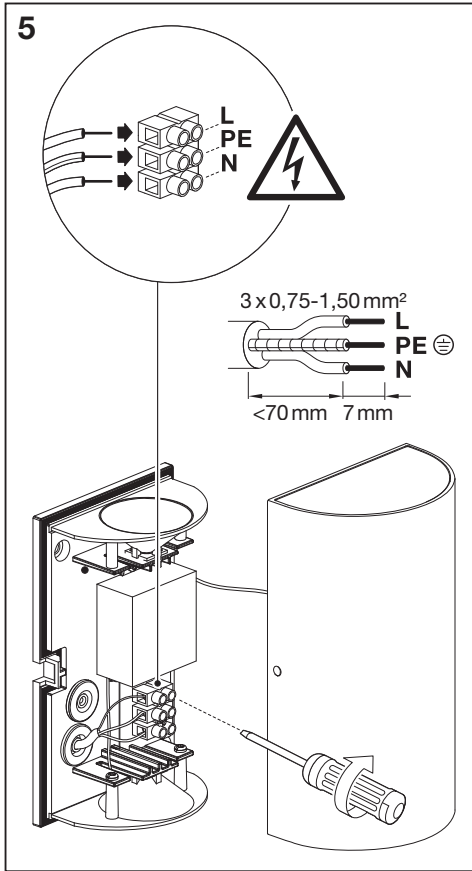




**ENDURA® STYLE
UPDOWN**



	EAN	W	lm	K	°C (°C)	V~	mA	Hz	DF
ENDURA® STYLE UPDOWN 12W AL	4058075205604	12	700	3000	-20...+40	220-240	70	50/60	>0.7
ENDURA® STYLE UPDOWN 12W DG	4058075214057	12	700	3000	-20...+40	220-240	70	50/60	>0.7
ENDURA® STYLE UPDOWN 12W WT	4058075214071	12	700	3000	-20...+40	220-240	70	50/60	>0.7



	EAN	This product contains a light source of energy efficiency class	Contained Light Source
ENDURA® STYLE UPDOWN 12W AL	4058075205604	F	
ENDURA® STYLE UPDOWN 12W DG	4058075214057	F	
ENDURA® STYLE UPDOWN 12W WT	4058075214071	F	



C10449057
G11120235
10.09.2021



LEDVANCE GmbH
Steinerne Furt 62
86167 Augsburg, Germany
www.ledvance.com