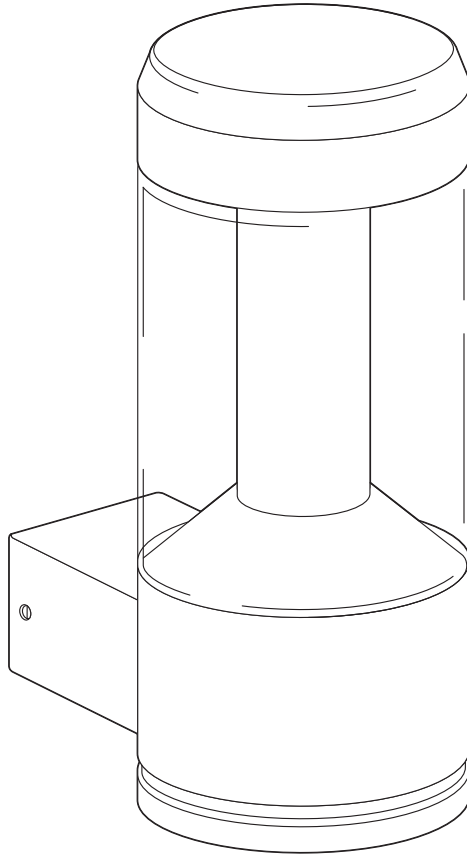
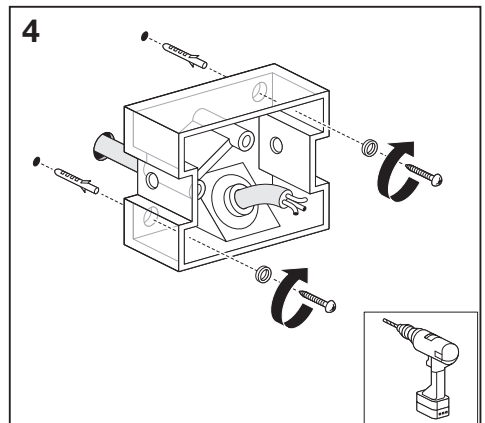
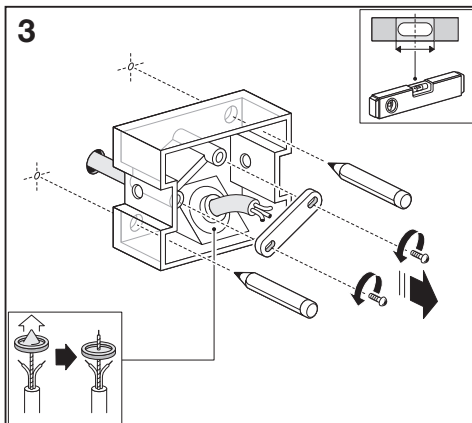
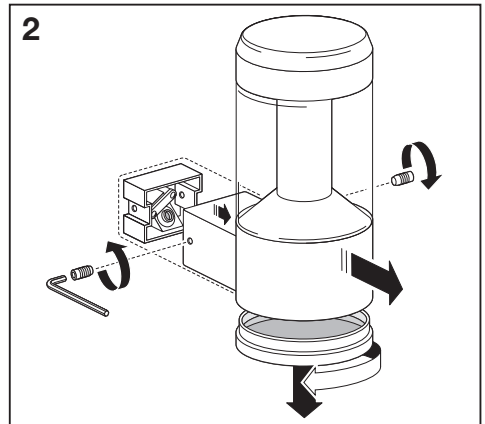
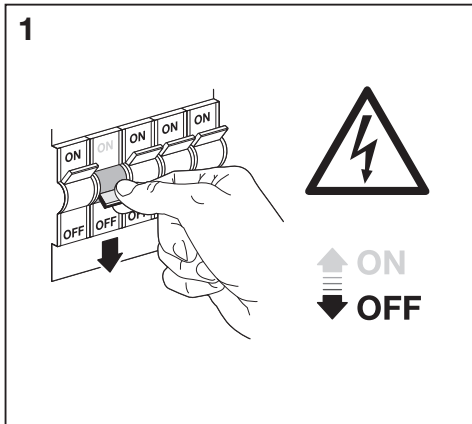
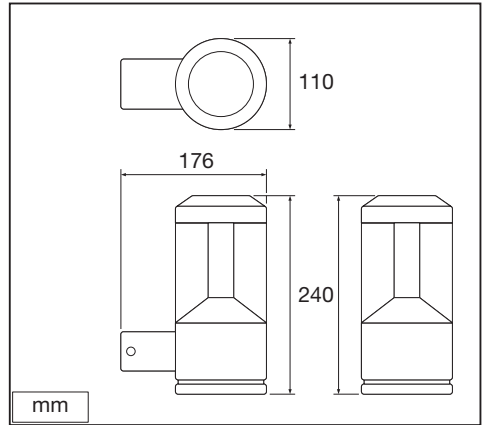
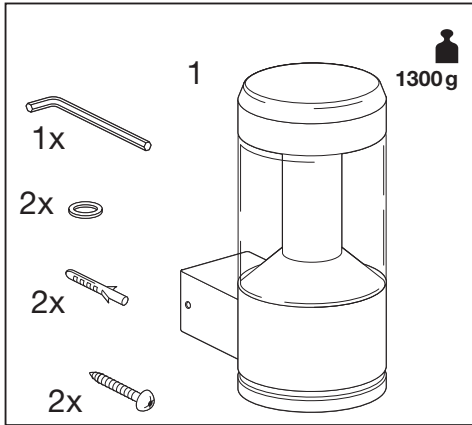
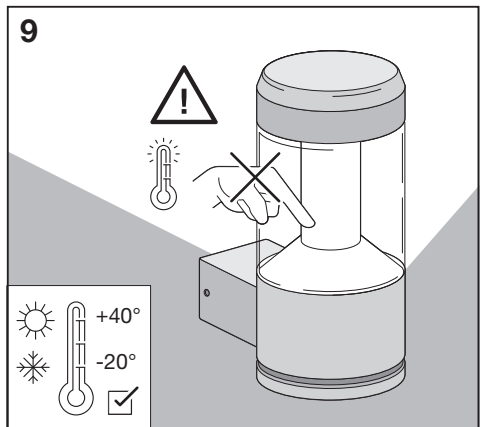
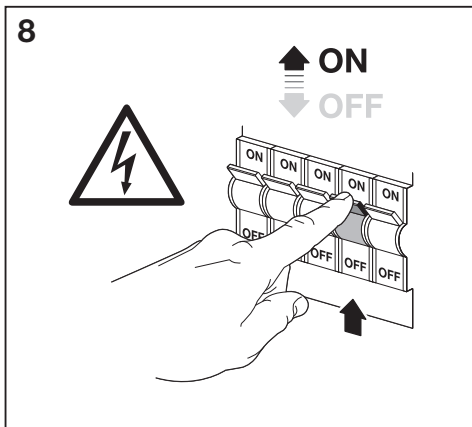
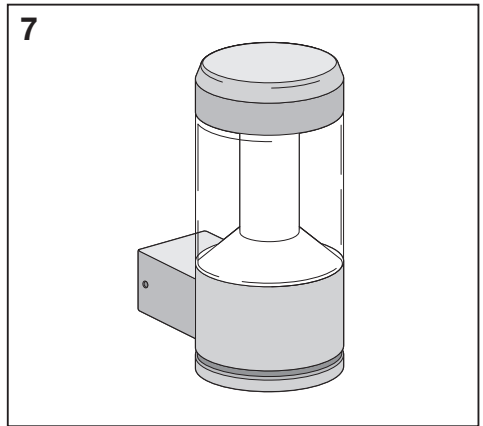
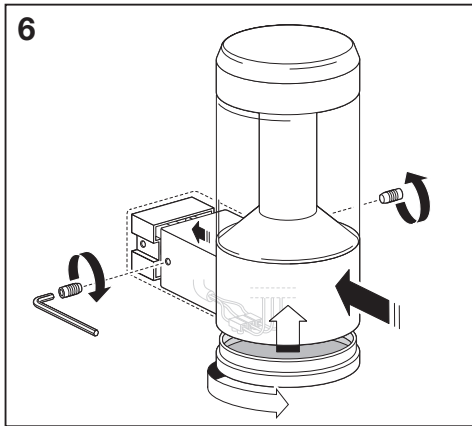
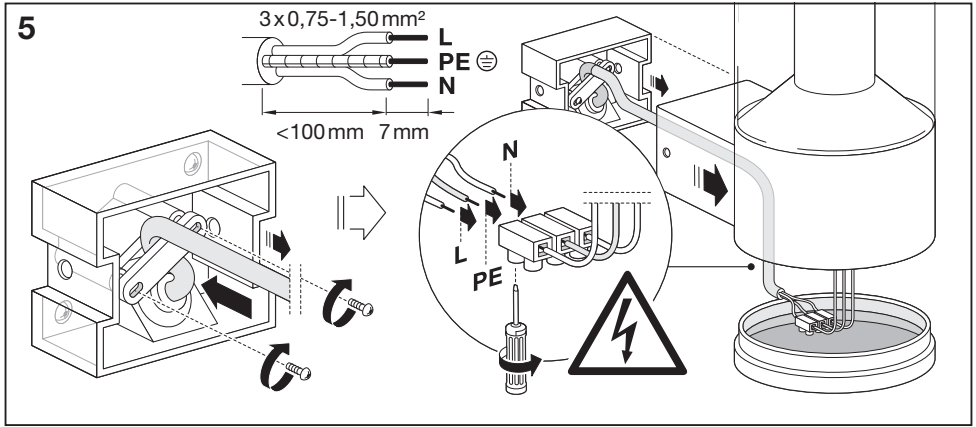


**ENDURA® STYLE
LANTERN MODERN**



| | EAN | W | lm | K | °C | V~ | mA | Hz | DF |
|--|---------------|----|-----|------|-----------|---------|----|-------|------|
| ENDURA® STYLE LANTERN MODERN 12W DG | 4058075205017 | 12 | 610 | 3000 | -20...+40 | 220-240 | 70 | 50/60 | >0.7 |





| | EAN | This product contains a light source of energy efficiency class | Contained Light Source |
|--|---------------|---|---|
| ENDURA® STYLE LANTERN MODERN 12W DG | 4058075205017 | F |  |



C10449057
G11120232
21.05.2021



LEDVANCE GmbH
Steinerne Furt 62
86167 Augsburg, Germany
www.ledvance.com