



0203002/B202

Bath drain with plug and chain

FUNCTION :

Bathdrain for bathtub with overflow

DESCRIPTION :

- Universal
- Double 360 ° swiveling water trap
- Overflow pipe (324-495mm)

TECHNICAL FEATURES :

Materials :

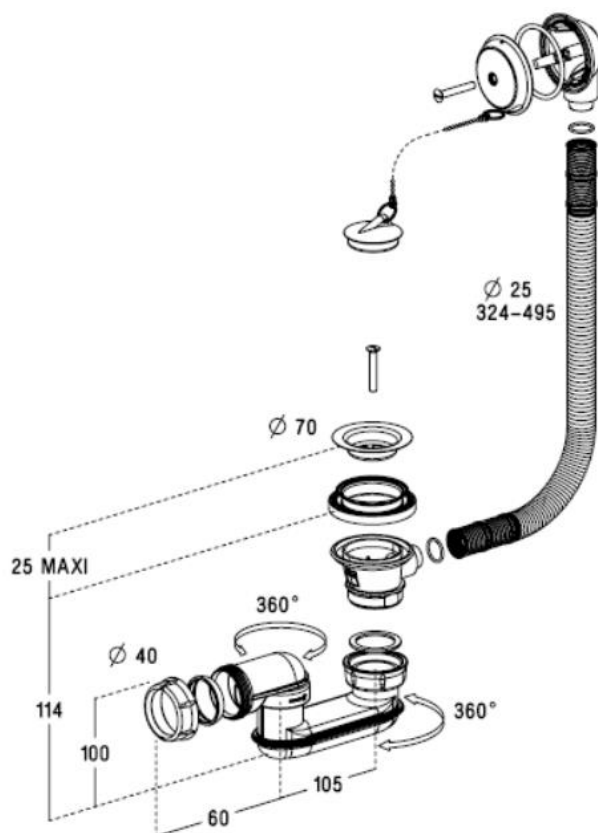
- Waste : Polypropylene
- Trap : Co-injected polypropylene + elastomer
- Plate and overflow cover : stainless steel
- Plug : rubber

Dimensions :

- Waste for a Ø 52 mm hole
- Overall height : 114 mm (waste + trap)
- Outlet : Ø40 mm
- Thickness for tightening :
 - Waste : 1 to 25 mm
 - Overflow : 2 to 10 mm
- Water seal : 50 mm

MAINTENANCE :

- Use a non aggressive cleaner and a soft cloth



© Nicoll 2017. Nicoll is an Aliaxis company. All rights reserved. Pictures, illustrations not binding.

JANUARY 2022



Head office and Plants: 37, rue Pierre & Marie Curie
BP 10966 - 49309 Cholet Cedex - FRANCE
Phone + 33 (0)2 41 63 73 83
Email: export.nicoll@aliaxis.com

an Aliaxis company