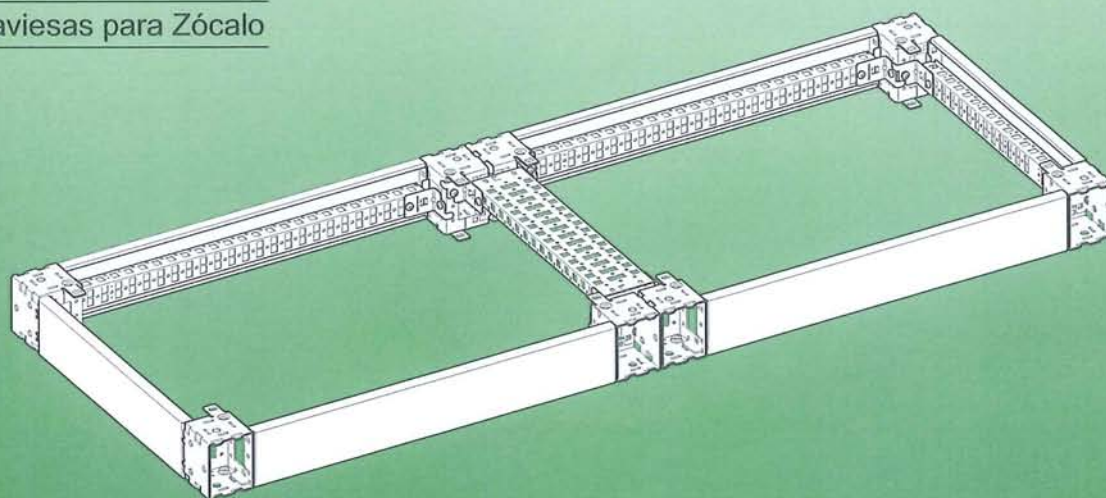


Plinth Cross-rail Support

Support de Traverse pour Socle

Soporte de Traviesas para Zócalo



type 1

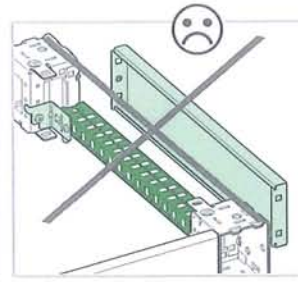
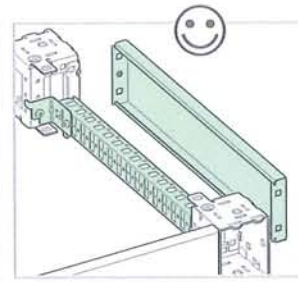
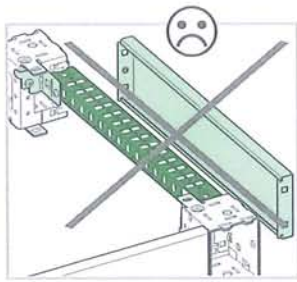
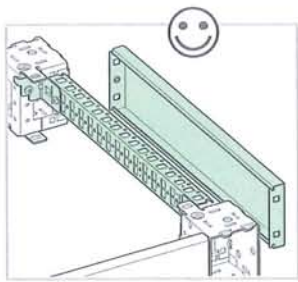
M6 / T30

3 Nm

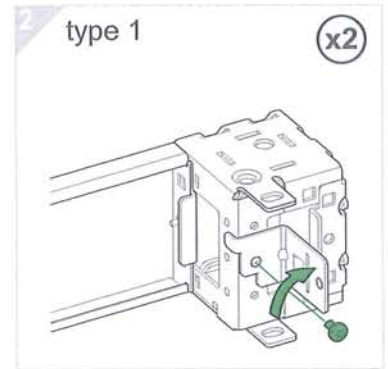
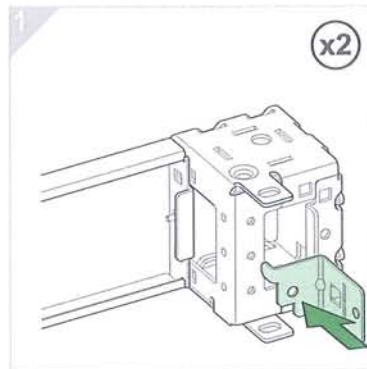
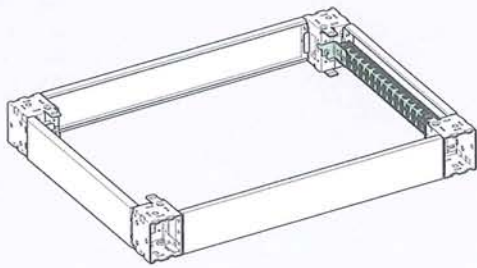
26,55 lb-in

**Schneider**  
Electric

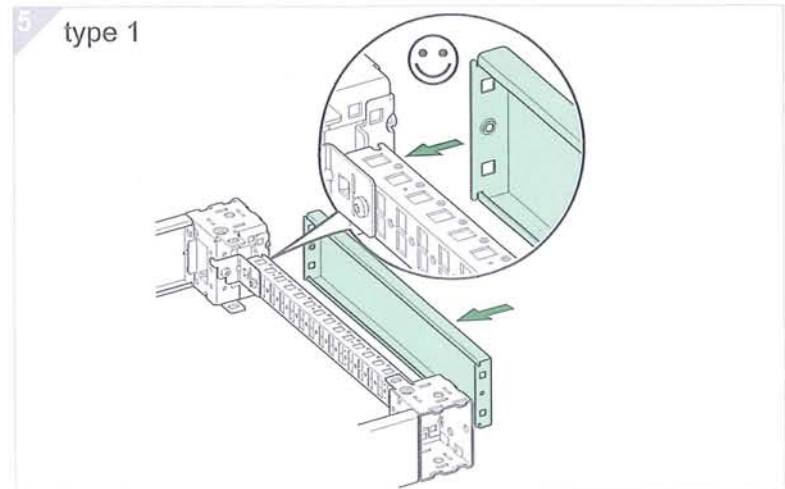
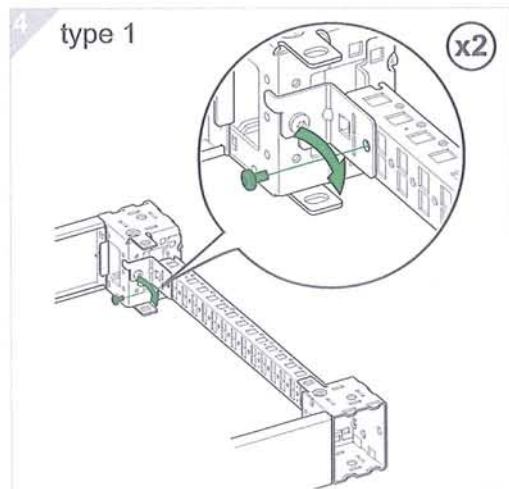
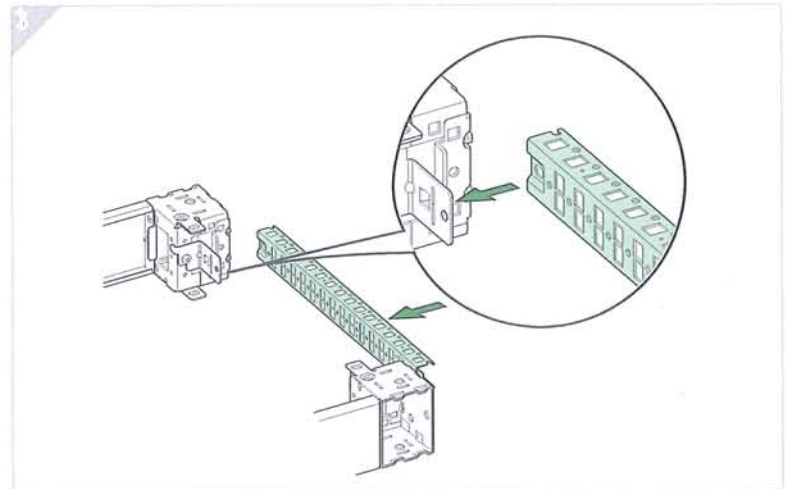
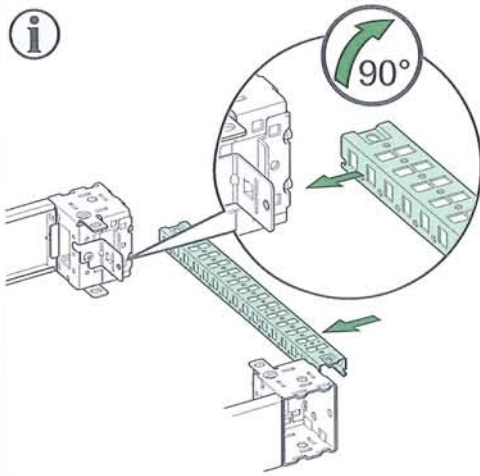
Released for Manufacturing  
Printed on 2013/04/22

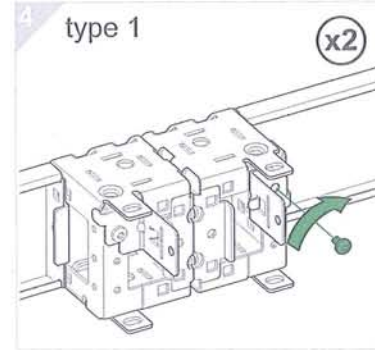
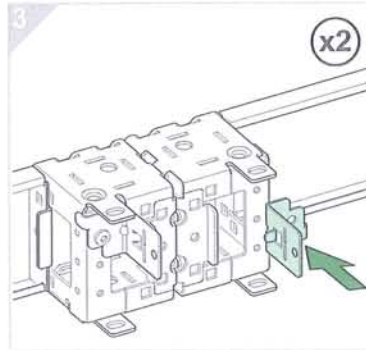
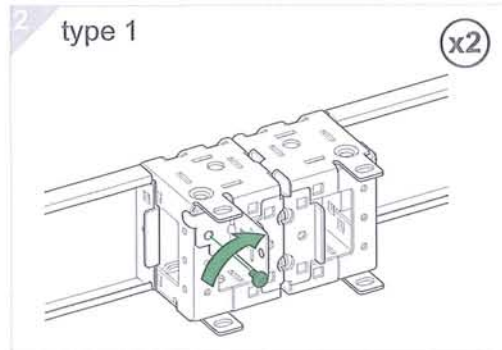
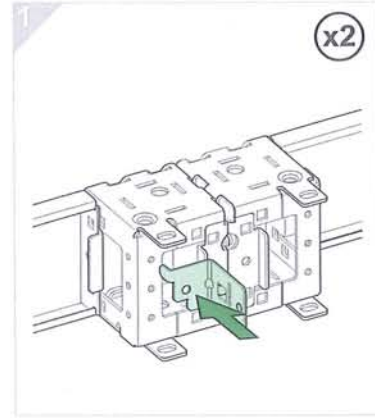
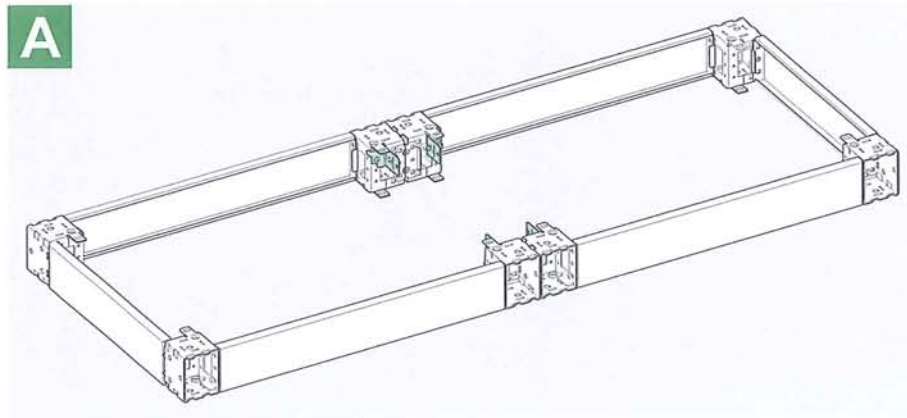
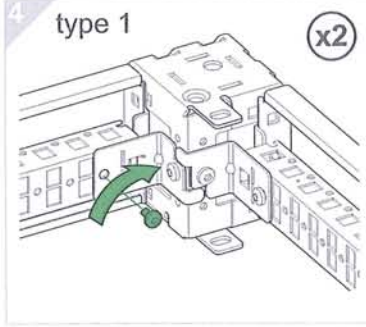
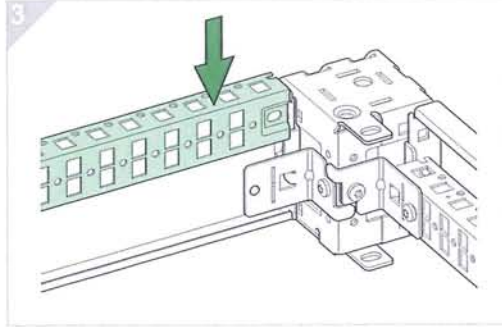
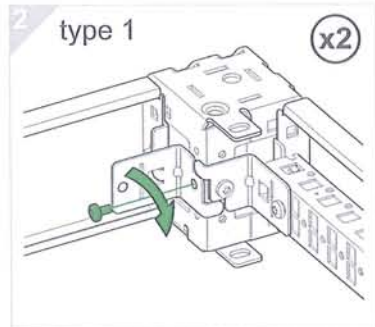
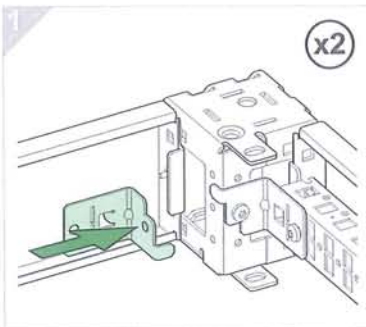
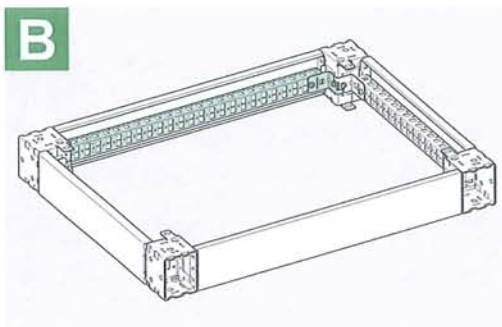
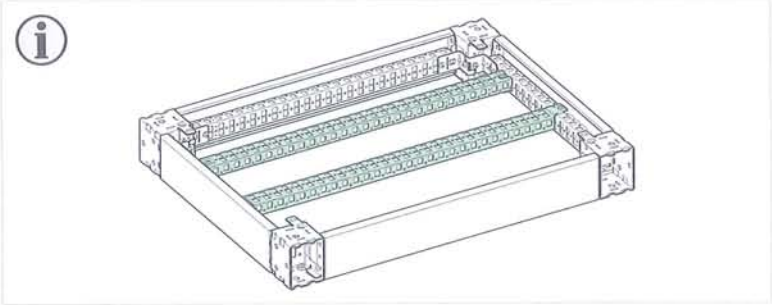
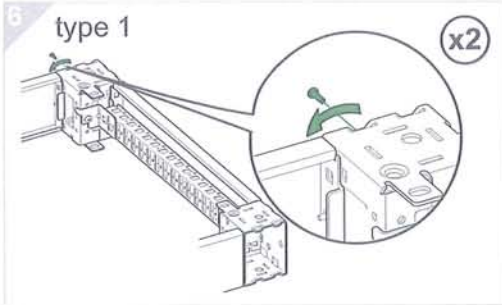


**A**



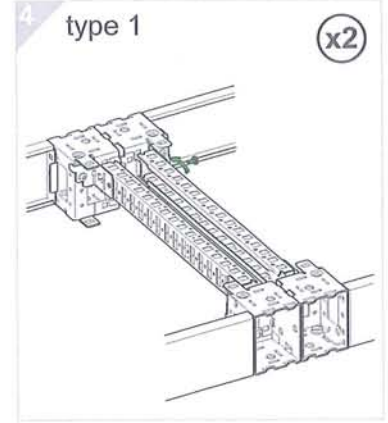
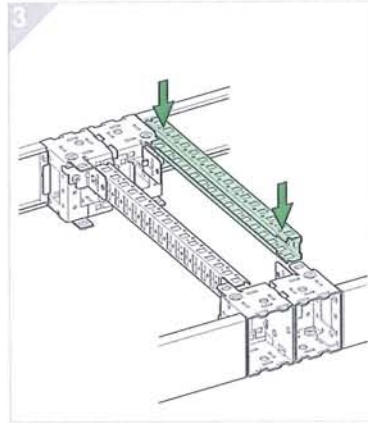
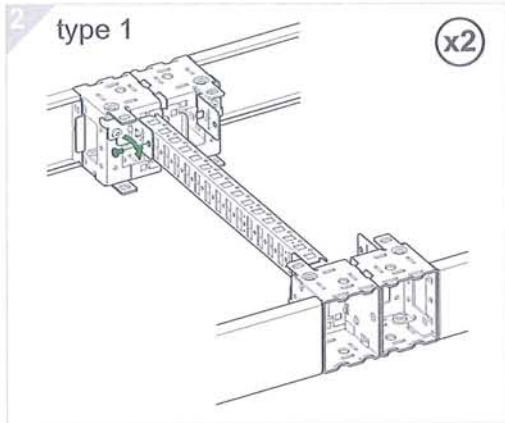
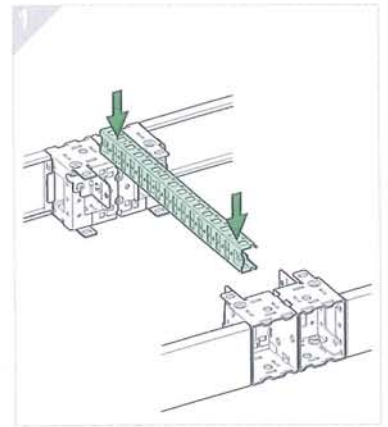
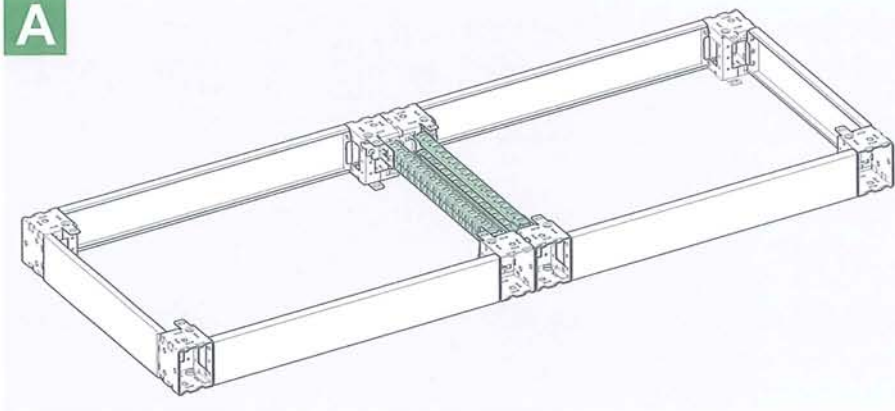
**i**







A



A

