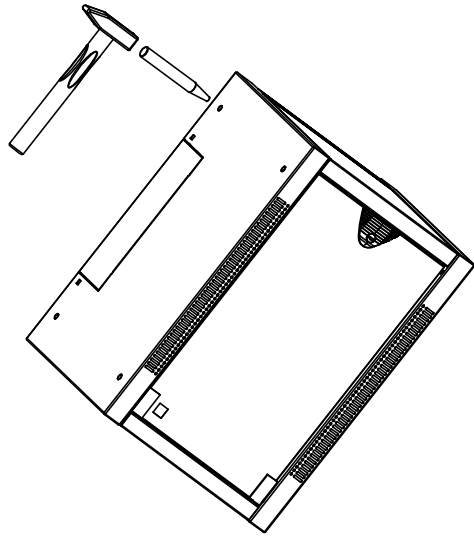
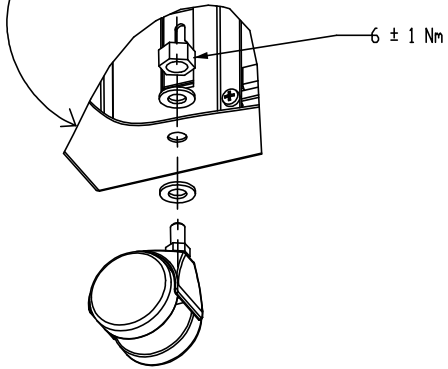


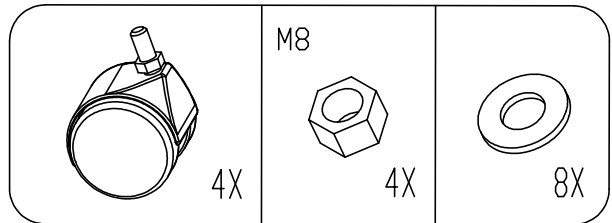
1



2



6 ± 1 Nm



ENNA04661-TA