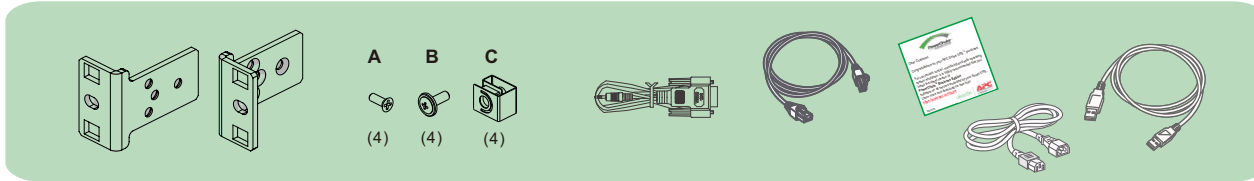


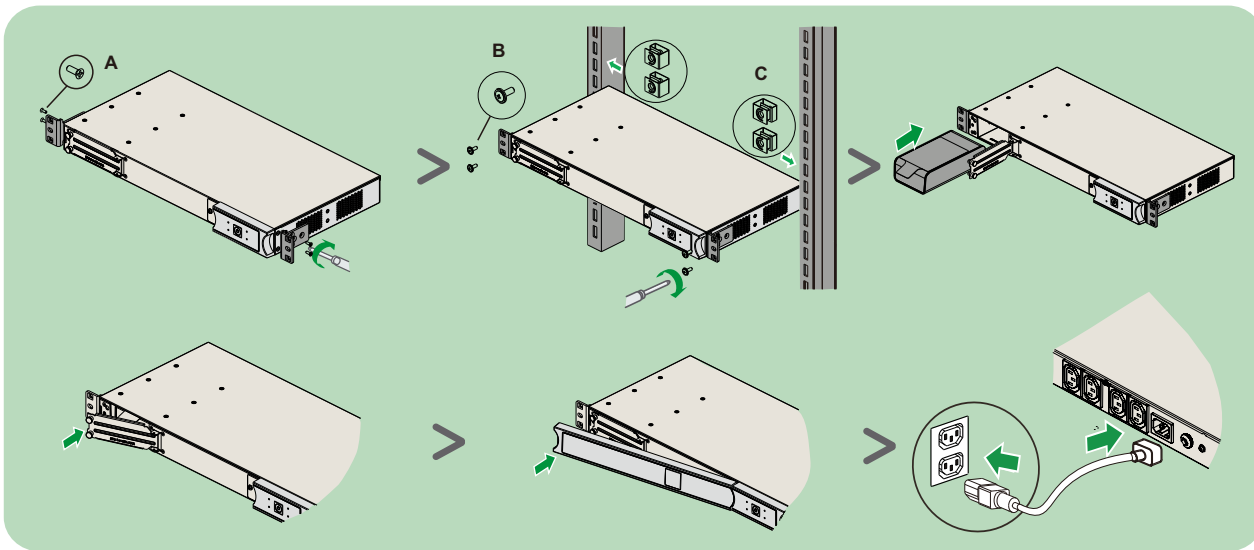
Installation Guide

Smart-UPS SCL500RMI1UNC with Lithium-ion Battery and Network Connect

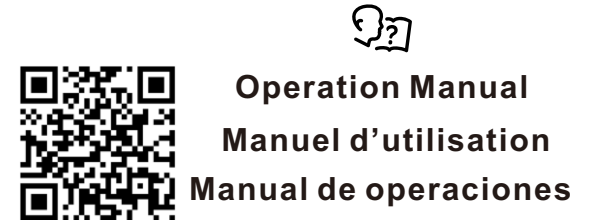
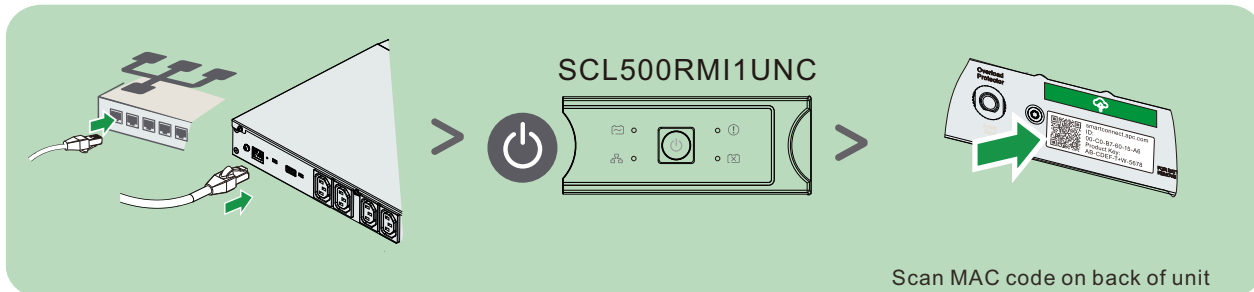
Inventory



UPS Installation



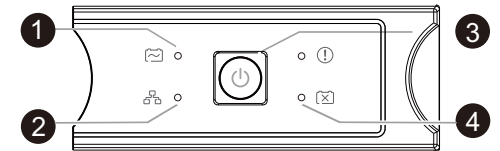
Network Connect Installation



<https://d.go2se.com/sci500rmi1unc>

Display Interface

SCL500RMI1UNC



- 1 On battery / online indicator
- 2 Network status indicator
- 3 Event and Error detected indicator
- 4 Replace battery indicator

Customer support and warranty information are available on the APC web site, www.apc.com.