

# Installation Guide Smart-UPS™ On-Line SRT011/SRT012

## Important Safety Information

Read the instructions carefully to become familiar with the equipment before trying to install, operate, service or maintain it. The following special messages may appear throughout this manual or on the equipment to warn of potential hazards or to call attention to information that clarifies or simplifies a procedure.



The addition of this symbol to a Danger or Warning safety label indicates that an electrical hazard exists which will result in personal injury if the instructions are not followed.



This is the safety alert symbol. It is used to alert you to potential personal injury hazards. Obey all safety messages that follow this symbol to avoid possible injury or death.  
Safety and General Information

### CAUTION

**CAUTION** indicates a potentially hazardous situation which, if not avoided, **can result in** minor or moderate injury.

### NOTICE

**NOTICE** used to address practices not related to physical injury. The safety alert symbol is not used with this signal word.

**Inspect the package contents upon receipt. Notify the carrier and dealer if there is any damage.**

Adhere to all local and national electrical codes.



Recycle the packaging.

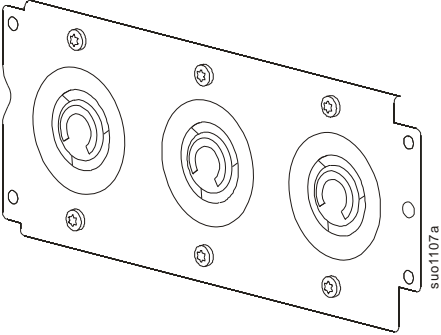
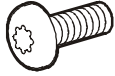

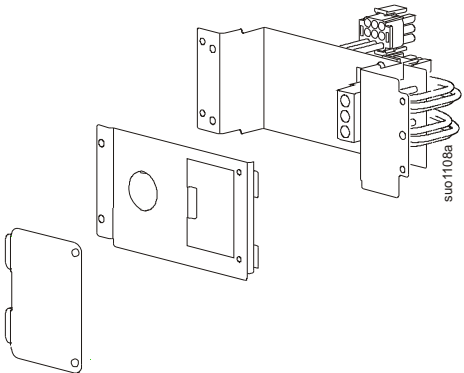
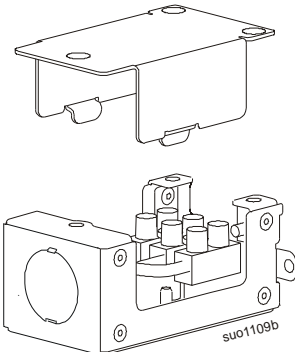
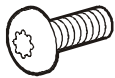
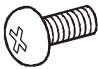
### Deenergizing safety

The UPS contains internal batteries and may present a shock hazard even when disconnected from the branch circuit (mains). Before installing or servicing the equipment, check that the internal batteries are removed, that external extended run batteries are disconnected and the branch circuit (mains) is disconnected.

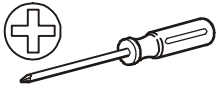
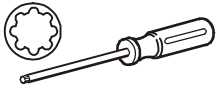
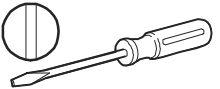
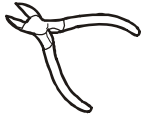
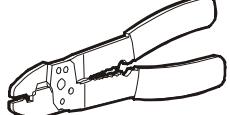
## **Hardwire safety**

- Verify that all branch circuit (mains) and low voltage (control) circuits are deenergized, and locked out before installing cables or making connections, whether in the junction box or to the UPS.
- Wiring by a qualified electrician is required.
- Adhere to all national and local codes.
- Select wire size and connectors according to national and local codes.
- Strain relief is required for all hardwiring.
- All openings allowing access to UPS hardwiring terminals must be covered. Failure to do so may result in personal injury or equipment damage.

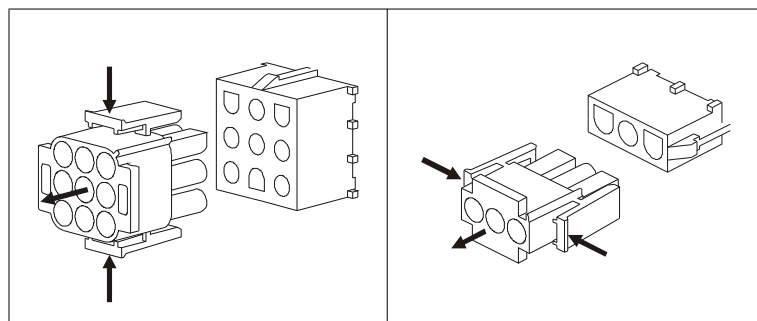
# Package Contents

<b>SRT011 - APC Smart-UPS SRT3000 VA PDU, 208 V (3) L6 - 30</b>		
<b>PDU</b> 		<b>4 Torx screws</b>  x4  <b>1 ground screw</b> 
<b>SRT012 - APC Smart-UPS SRT 2200/3000 VA Output HW Kit</b>		
<b>Output module</b> 	<b>Input module</b> 	<b>4 Torx screws</b>  x4  <b>1 ground screw</b> 

## Required tools

All Models			SRT012	
Phillips screw driver	T20 Torx screw driver	Flat head screw driver	Wire cutter	Wire stripper
				

## Disconnect PDU Connectors

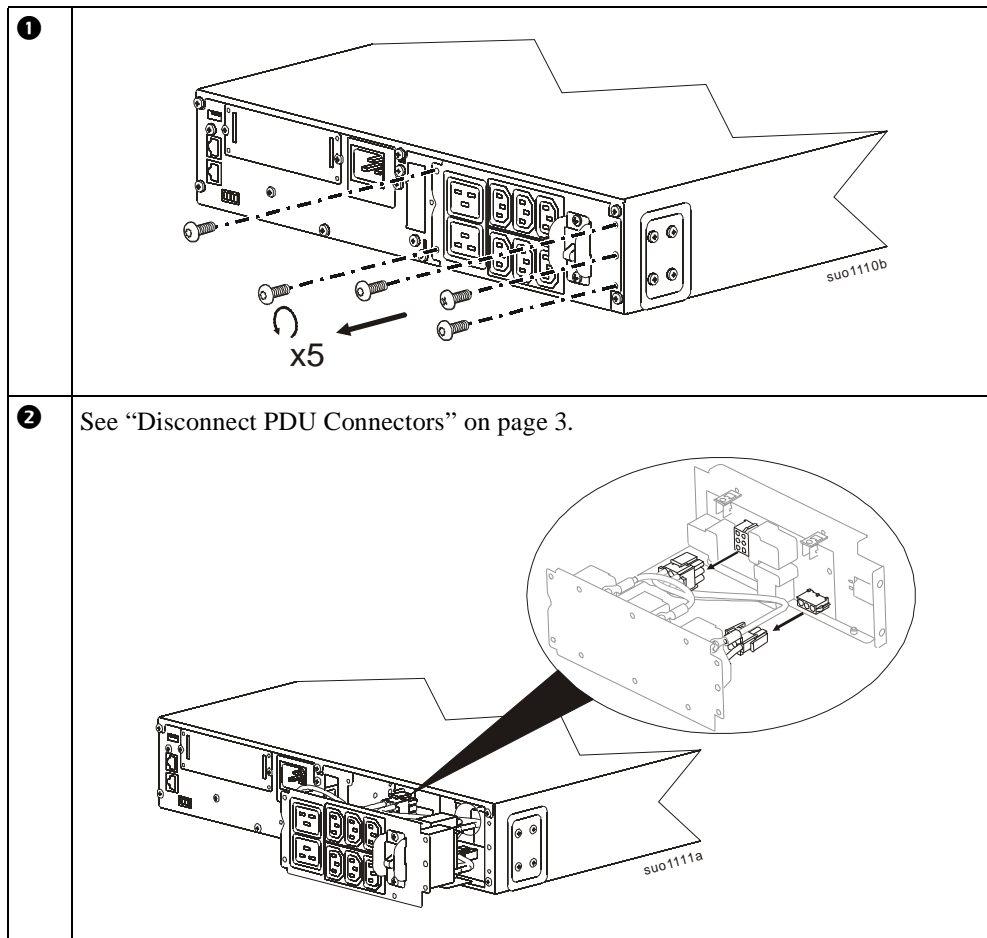


# SRT011

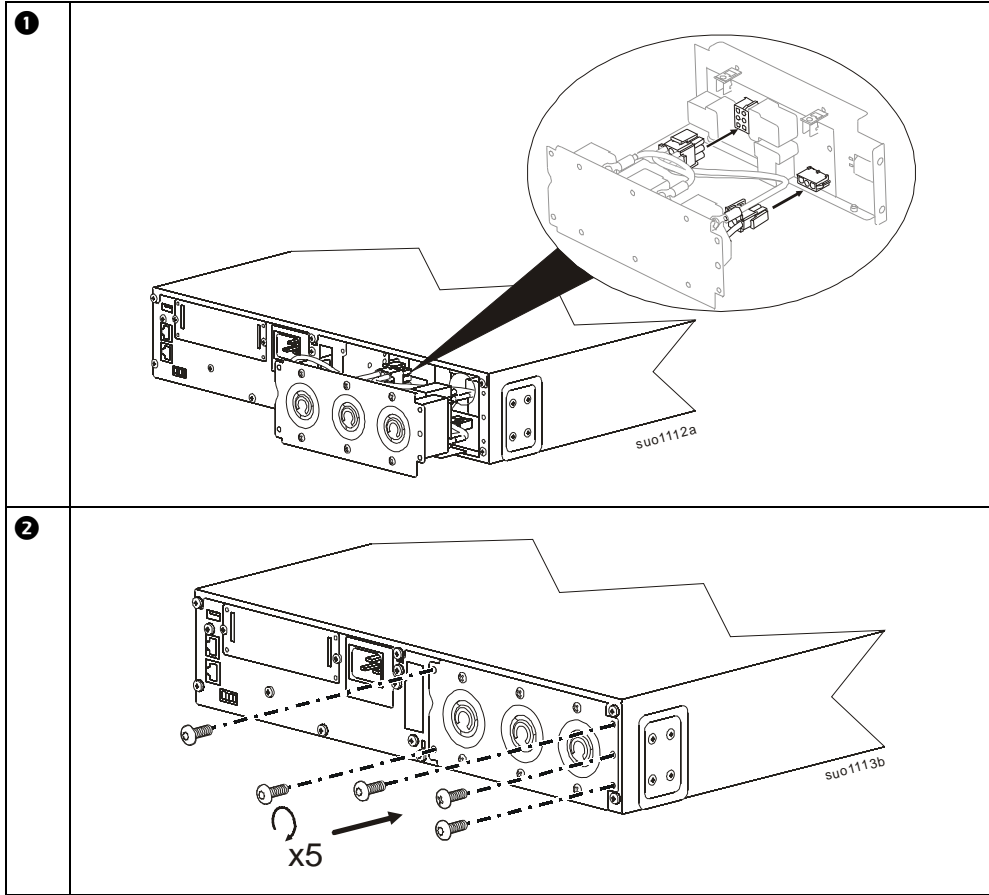
The UPS and PDU models may vary in appearance from those depicted in the diagrams. The PDU installation procedure is similar for SRT011 models.

PDU	UPS Models
SRT011	SRT3000XLT SRT3000RMXLT SRT3000RMXLT-NC SRT3000XLW-IEC SRT3000RMXLW-IEC

## Remove standard PDU



## Install SRT011




The SRT011 installation is complete. See “Configure UPS for PDU Panel” on page 10.

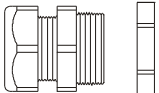
# SRT012



The UPS and PDU models may vary in appearance from those depicted in the diagrams. The PDU installation procedure is similar for SRT012 models.

## Wiring Specifications


 <b>CAUTION</b>	
<b>DAMAGE TO EQUIPMENT OR PERSONNEL</b>	
<ul style="list-style-type: none"> <li>• Adhere to all national and local electrical codes.</li> <li>• Wiring must be performed by a qualified electrician.</li> <li>• Use copper wire for hardwiring.</li> <li>• Use snap in strain reliefs.</li> <li>• The UPS must be wired into a branch circuit, equipped with a circuit breaker rated as specified in the tables below.</li> <li>• Actual wire size must comply with required amp capacity and national and local electrical codes.</li> <li>• Recommended input terminal screw torque: 7 lbf-in (0.8 Nm).</li> <li>• Recommended output terminal screw torque: 10.6 lbf-in (1.2 Nm).</li> <li>• Recommended wire strip length: 7 mm - 8 mm</li> </ul>	
<b>Failure to follow these instructions can result in equipment damage and minor or moderate injury</b>	

Recommended **strain relief** wire range and thread

	Thread	Wire range	Thread
Wire range		10 ~ 14 mm (0.39" - 0.55")	PG16 Metric M25

SRT2200 and SRT3000 models	
Input connections	Wire to L1, L2/N, 
Output connections	Wire to L1, L2/N, 

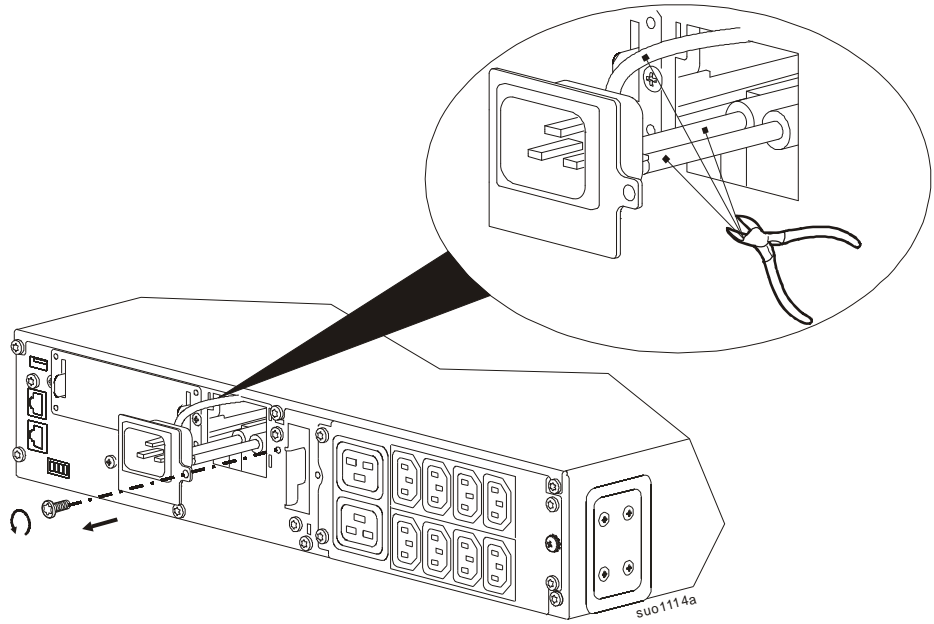
Models	Branch Circuit Overcurrent Rating / Building Circuit Breaker (CB) Current Rating	Wire Size, typical	
		AWG	mm <sup>2</sup>
SRT2200XLA/SRT2200RMXLA/SRT2200RMXLA-NC	20 A	12 AWG	2.5 mm <sup>2</sup>
SRT3000XLA/SRT3000RMXLA/SRT3000RMXLA-NC	30 A	10 AWG	4 mm <sup>2</sup>
SRT2200XLI/SRT2200RMXLI/SRT2200RMXLI-NC	16 A	12 AWG	2.5 mm <sup>2</sup>
SRT3000XLI/SRT3000RMXLI/SRT3000RMXLI-NC	20 A	12 AWG	2.5 mm <sup>2</sup>
SRT3000XLT/SRT3000RMXLT/SRT3000RMXLT-NC	20 A* / 2 pole	12 AWG	2.5 mm <sup>2</sup>
SRT3000XLW-IEC/SRT3000RMXLW-IEC	20 A IEC; 20 A UL* / 2 pole	12 AWG	2.5 mm <sup>2</sup>

 <b>CAUTION</b>	
<b>RISK OF FIRE, RISK OF DAMAGE TO EQUIPMENT OR PERSONNEL</b>	
<p>* Connect the UPS models only to a circuit provided with recommended maximum branch circuit overcurrent protection in accordance with the National Electrical Code, ANSI/NFPA 70 and the Canadian Electrical Code, Part I, C22.1.</p>	
<b>Failure to follow these instructions can result in fire, equipment damage and minor or moderate injury.</b>	

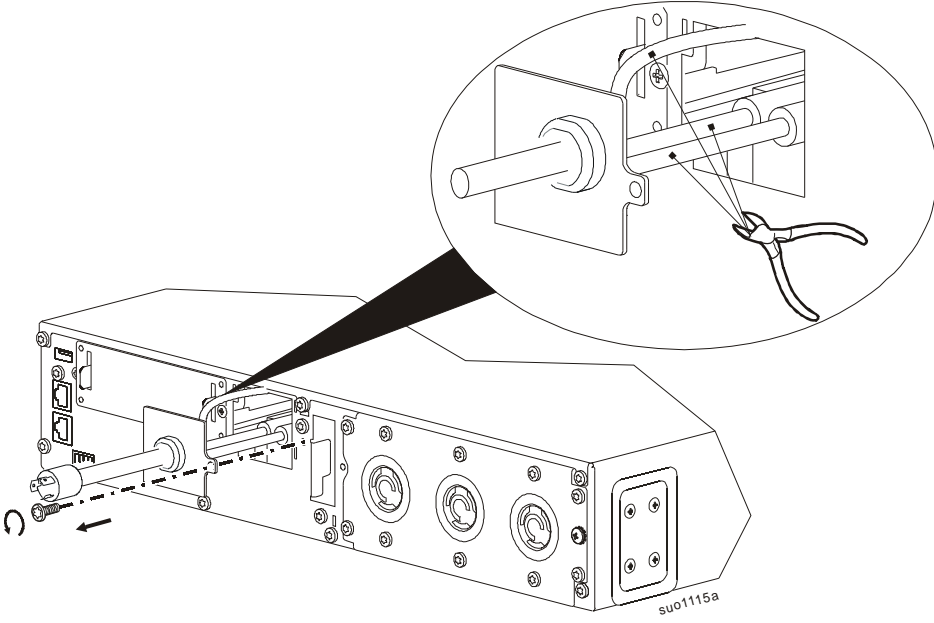
PDU	UPS Models
<b>SRT012</b>	SRT2200XLI, SRT2200RMXLI, SRT2200RMXLI-NC, SRT2200XLA, SRT2200RMXLA, SRT2200RMXLA-NC SRT3000XLT, SRT3000RMXLT, SRT3000RMXLT-NC, SRT3000XLI, SRT3000RMXLI, SRT3000RMXLI-NC, SRT3000XLA, SRT3000RMXLA, SRT3000RMXLA-NC SRT3000XLW-IEC, SRT3000RMXLW-IEC

**1** Remove the screw securing the input and cut the wires from the input.  
**Note:** Cut the wires farthest from the UPS.

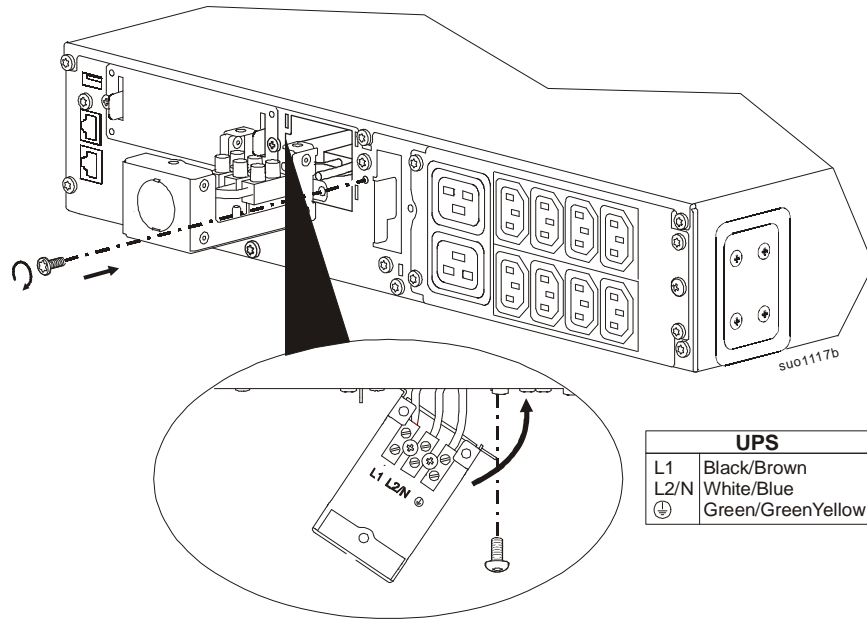
XLI, XLW-IEC models



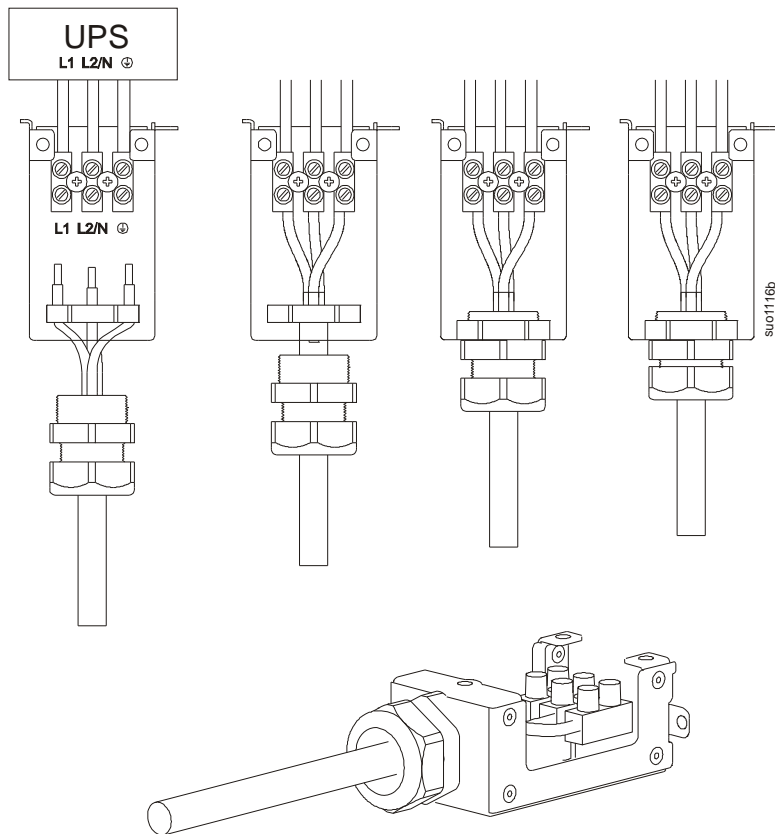
XLT, XLA models



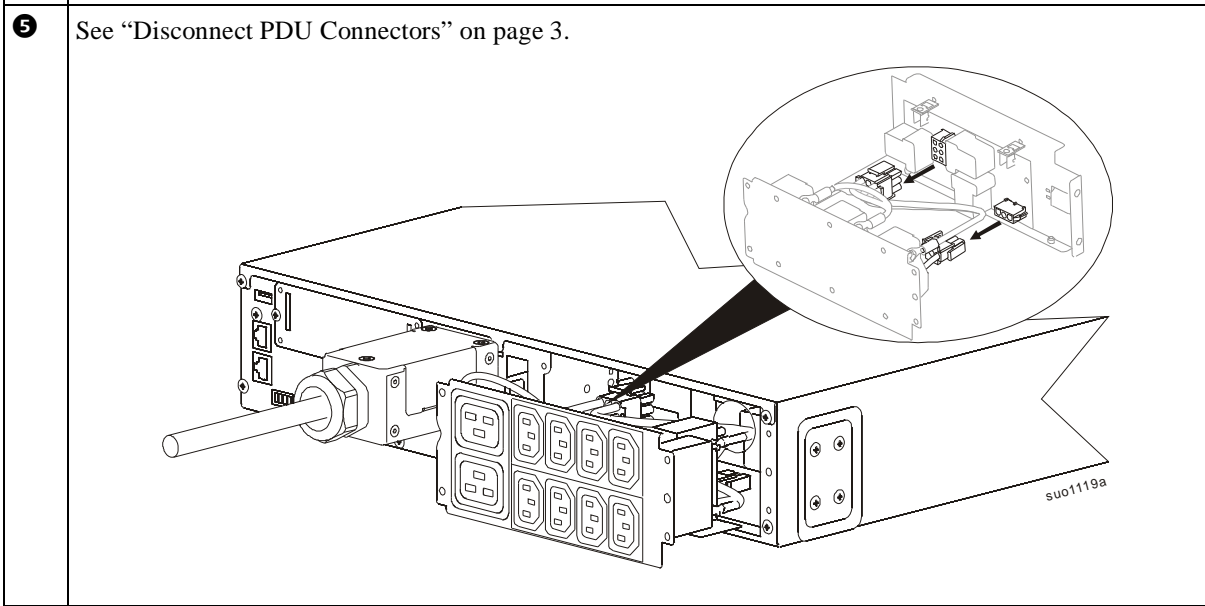
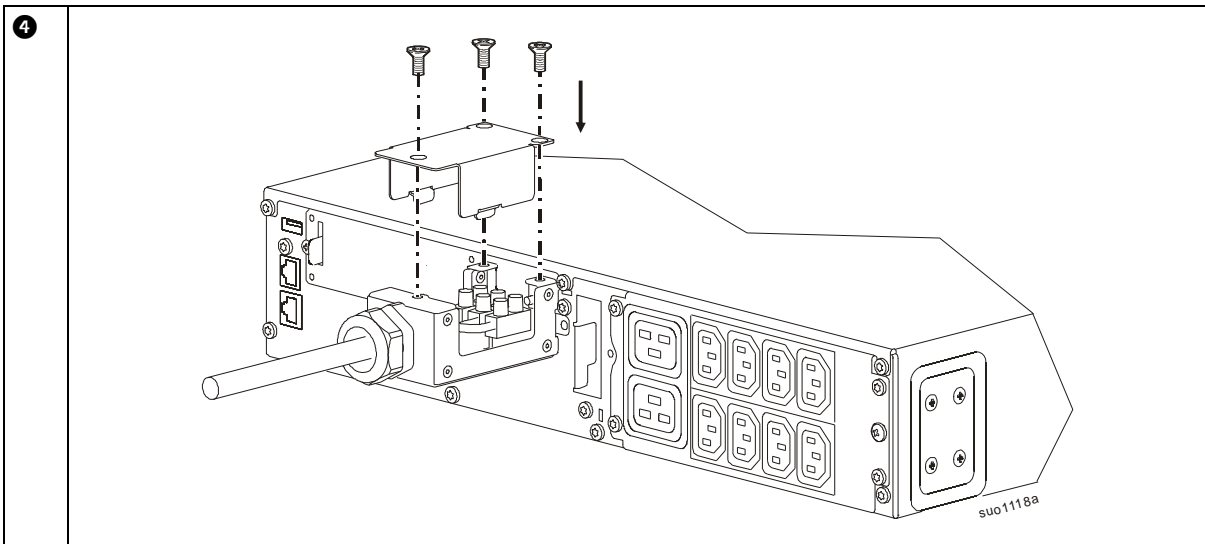
**2** Connect the UPS wires to the hardwire input box. Secure the hardwire input box to the UPS.



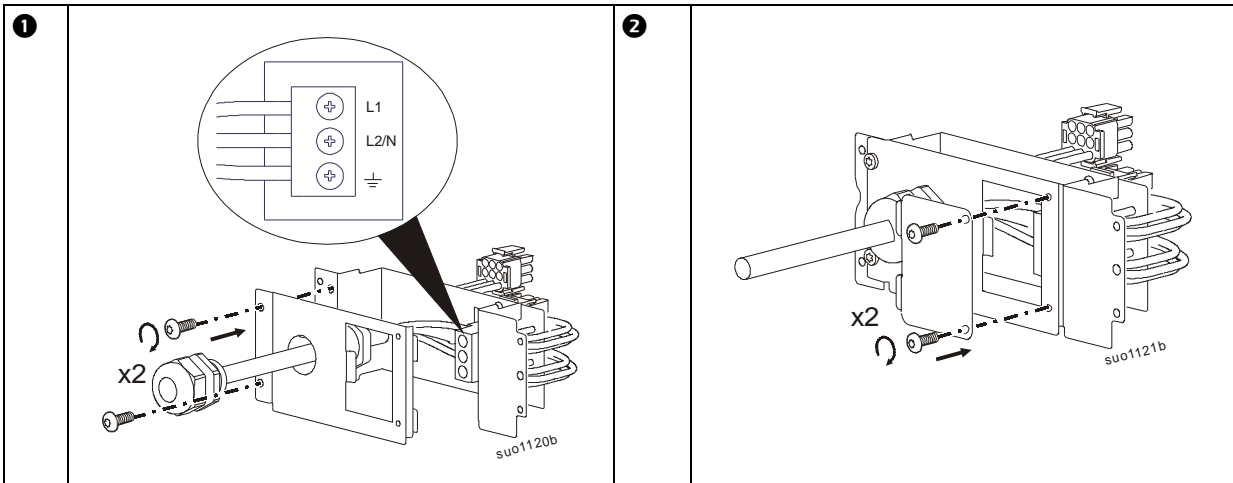
**3** Assemble hardwire input box.



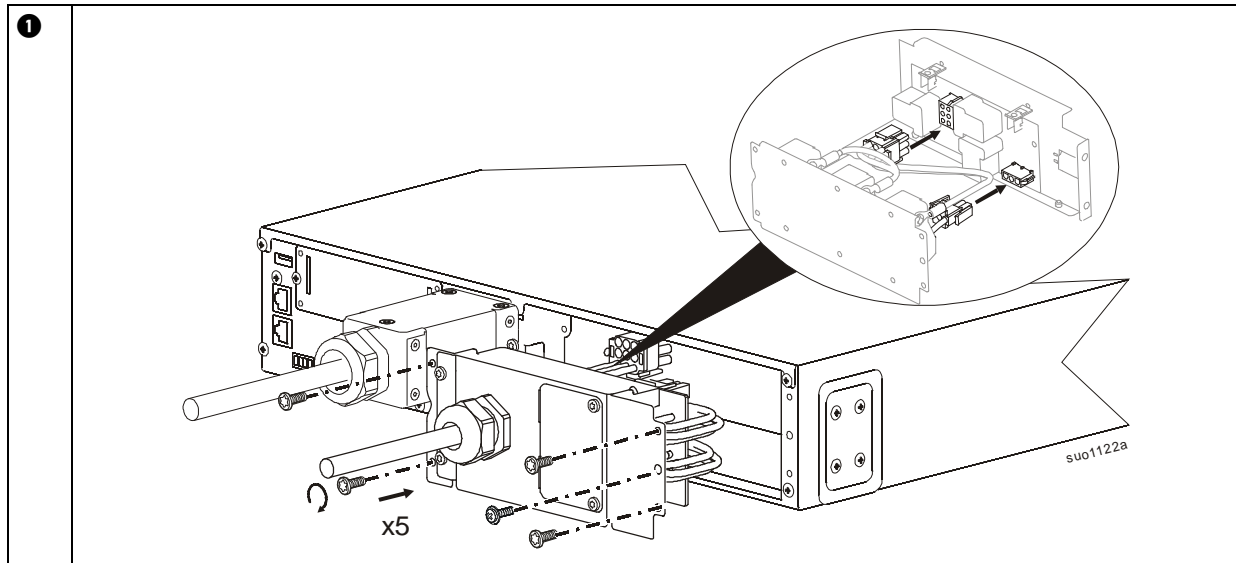




### Prepare SRT012



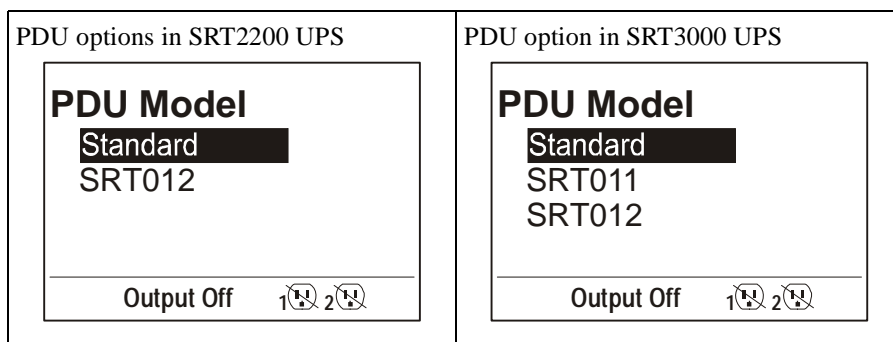
## Install SRT012



## Configure UPS for PDU Panel

Reconfigure the UPS, using the display interface, to work with the new PDU.

1. Reconnect internal RBC.
2. Reconnect the XLBP if installed.
3. Reconnect the UPS to utility power. Do not turn on the UPS output.
4. Configure the PDU once the display interface message is visible.
5. Navigate to the Menu Type. Change the Display Menu Type to Advanced.  
Main Menu > Configuration > Display > Menu Type > Advanced.
6. Navigate to the PDU Model to configure the PDU.  
Main Menu > Configuration > UPS > PDU Model
7. Select the appropriate PDU from the given options and press OK button.  
**Note:** The Standard PDU option is the factory default.



8. Wait for 10 seconds for the display interface to reboot.
9. Verify that PDU model is updated.  
Display Navigation: Main Menu > Configuration > UPS > PDU Model
10. Turn on the UPS output.

Customer support and warranty information is available at the APC Web site, [www.apc.com](http://www.apc.com).