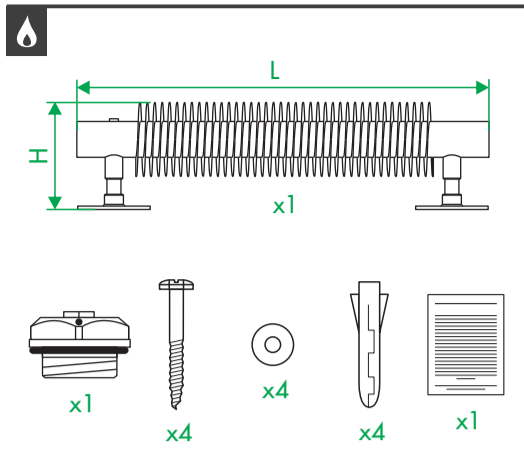
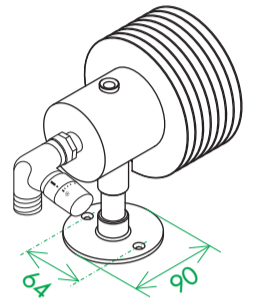
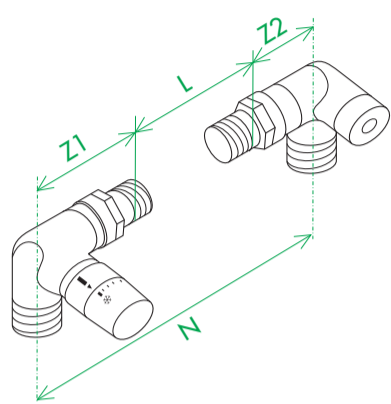
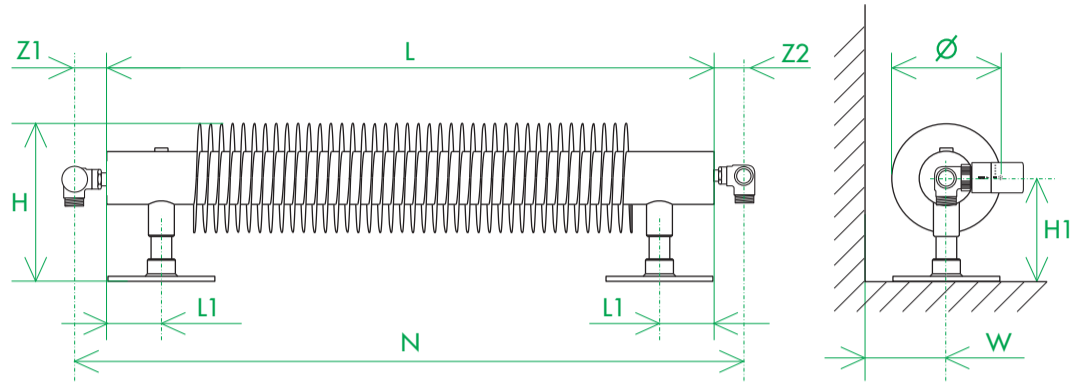
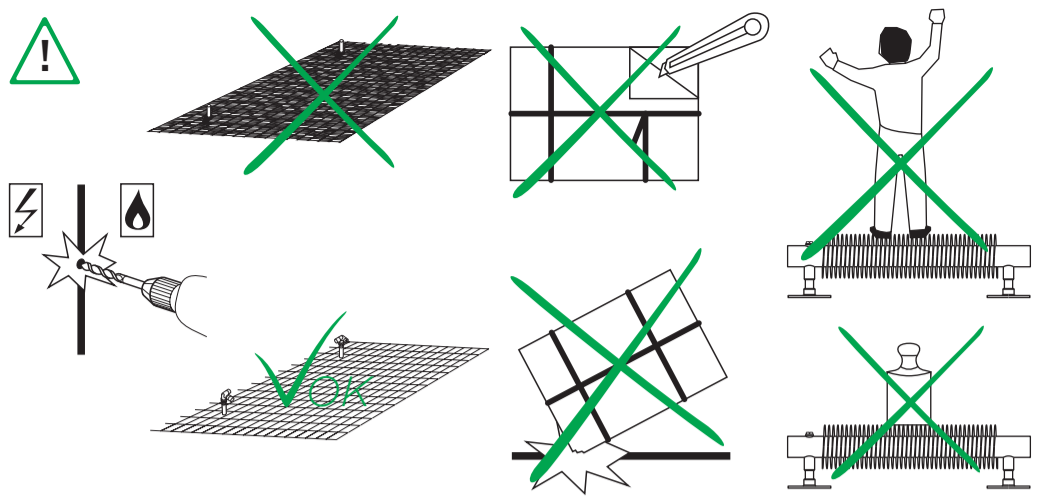
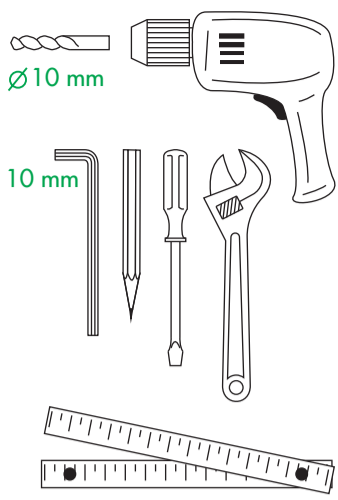


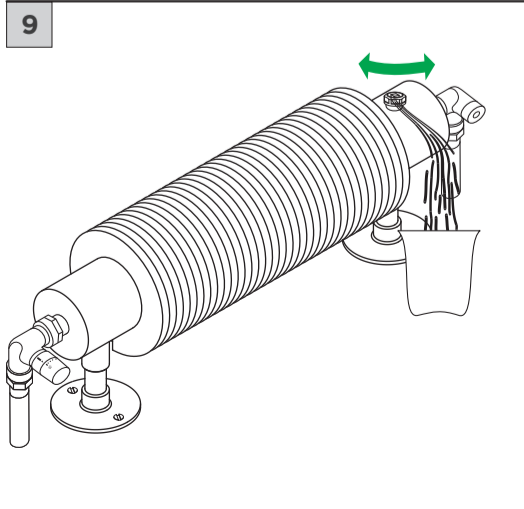
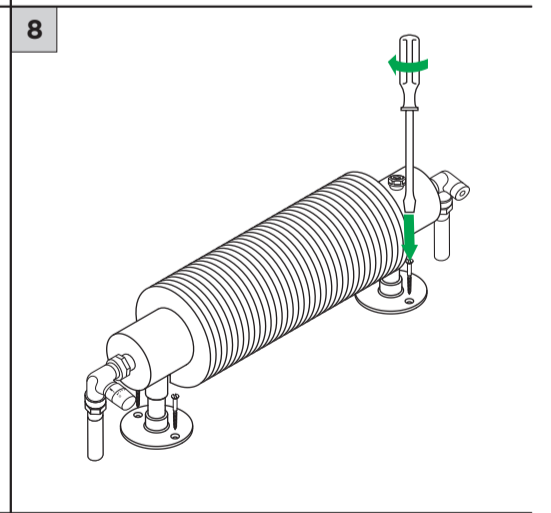
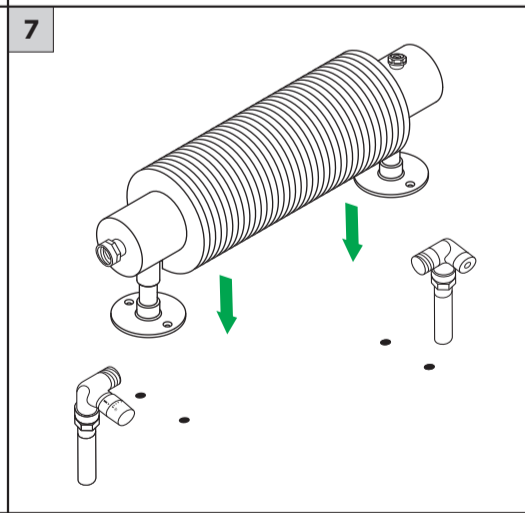
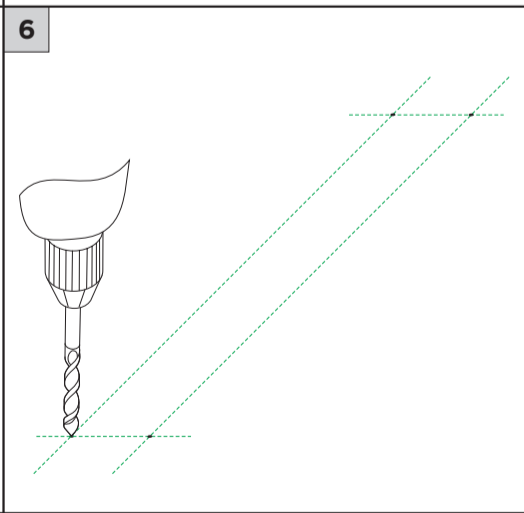
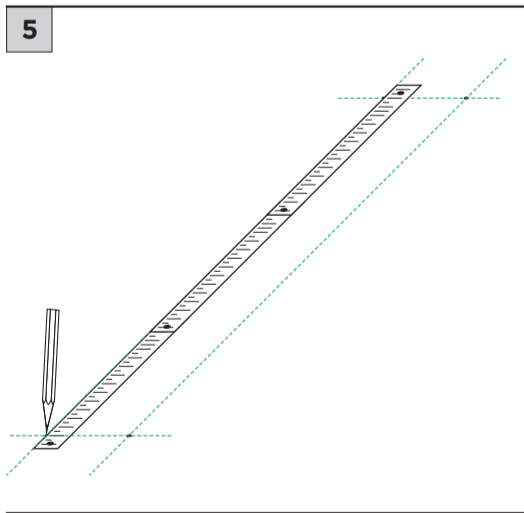
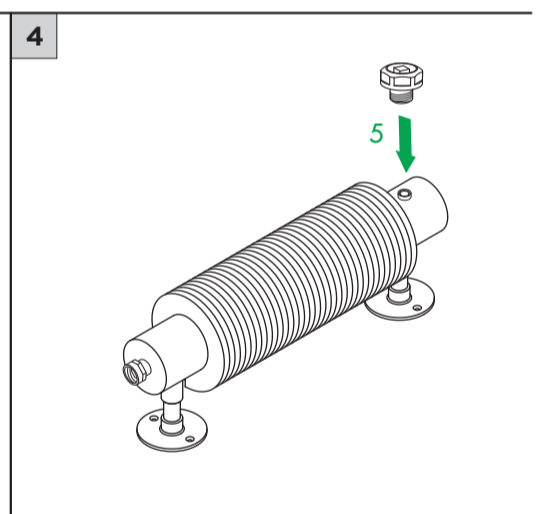
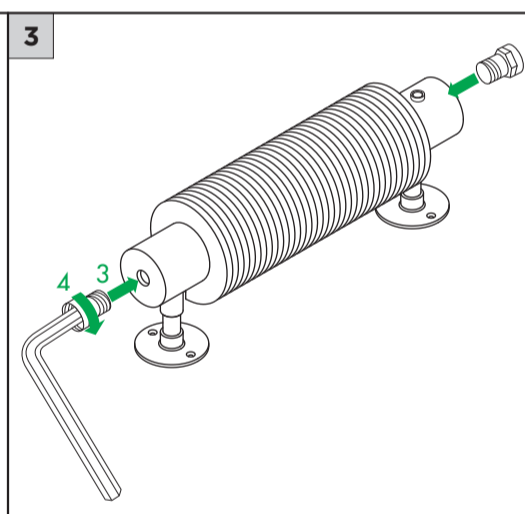
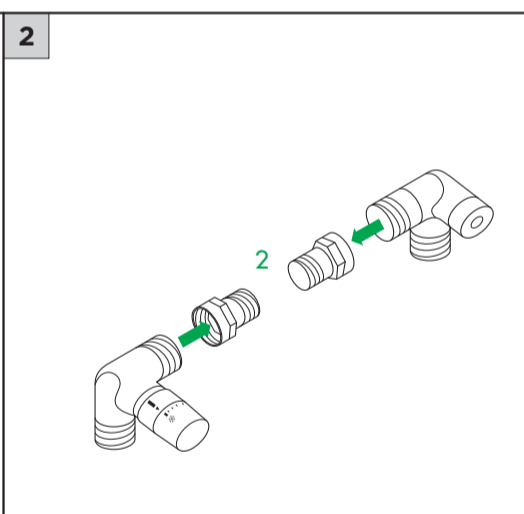
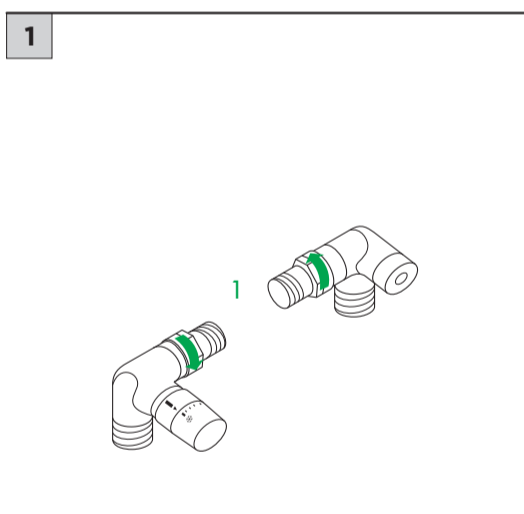
Flow Form



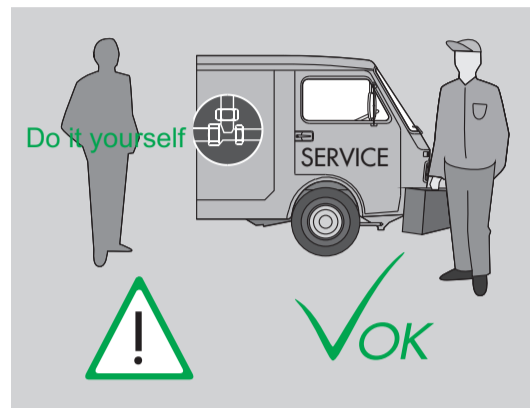
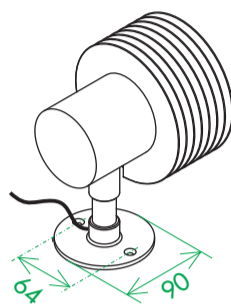
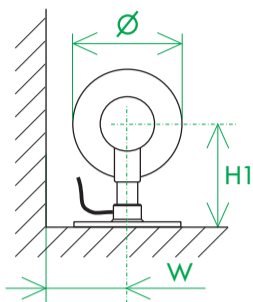
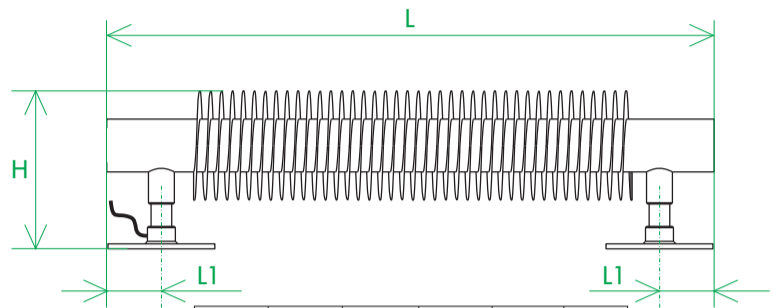
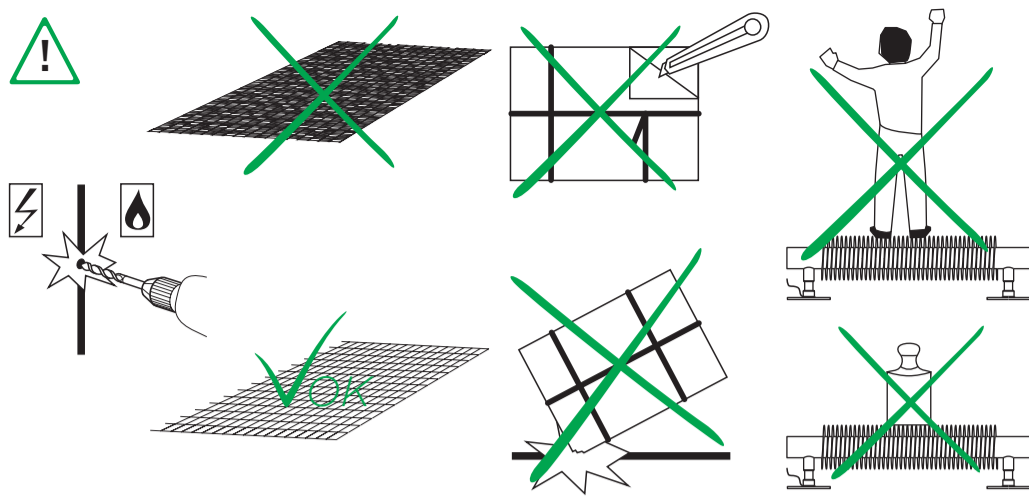
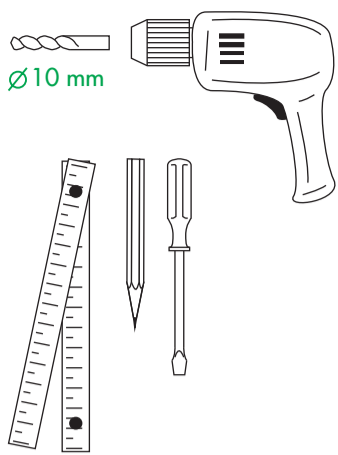
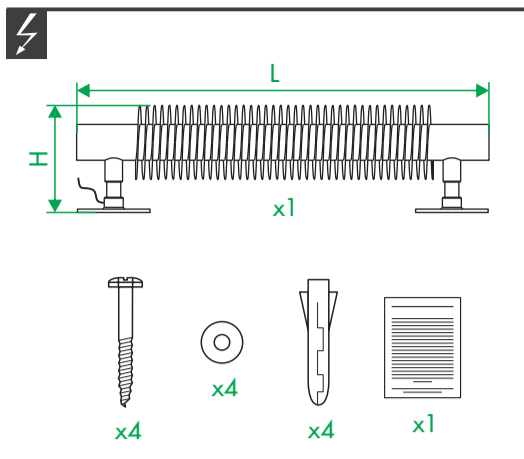
© Copyright by PBO 08/19 40019675



H (mm)	L (mm)	H1 (mm)	L1 (mm)	Ø (mm)	W (mm)
130	1000	84	45	88	> 65
130	1500	84	45	88	> 65
130	2000	84	45	88	> 65
190	1000	123	48	133	> 90
190	1500	123	48	133	> 90
190	2000	123	48	133	> 90



Flow Form EL



H (mm)	L (mm)	H1 (mm)	L1 (mm)	Ø (mm)	W (mm)
190	1000	123	48	133	> 90
190	1500	123	48	133	> 90
190	2000	123	48	133	> 90

