

PENDANT ADAPTER for SLV 3-CIRCUIT SURFACE MOUNTED TRACK

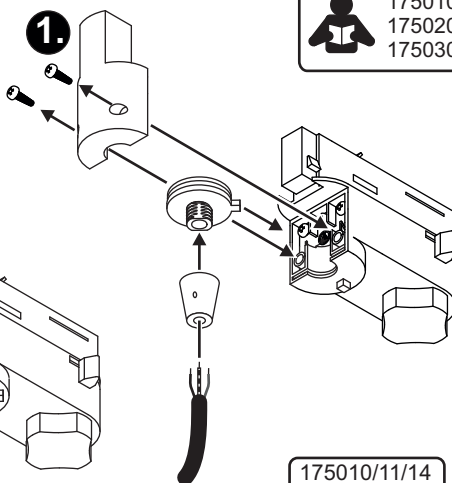
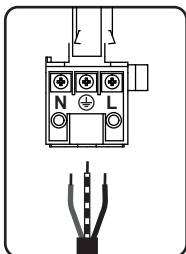
art.-no. 175200/01/04

220V-250V
~50Hz



10A
max.

100N
max.



175010/11/14
175020/21/24
175030/31/34

