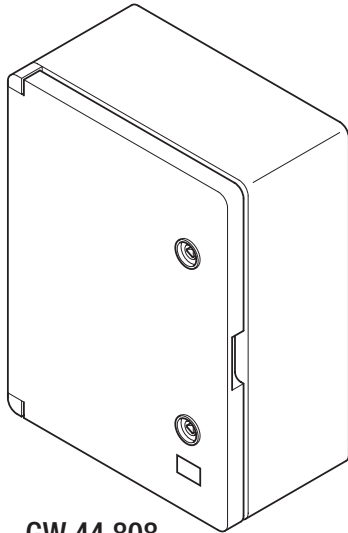


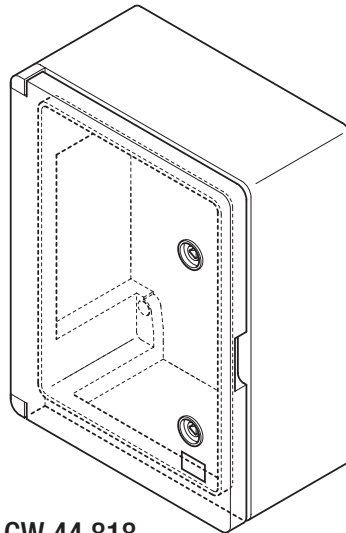
# 44 CEP

# GEWISS

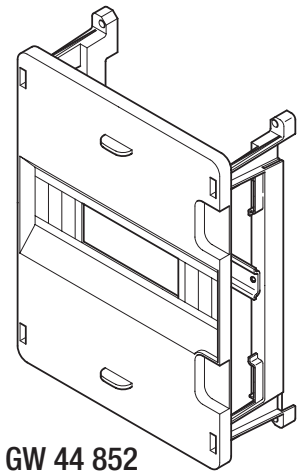
CE UK  
CA



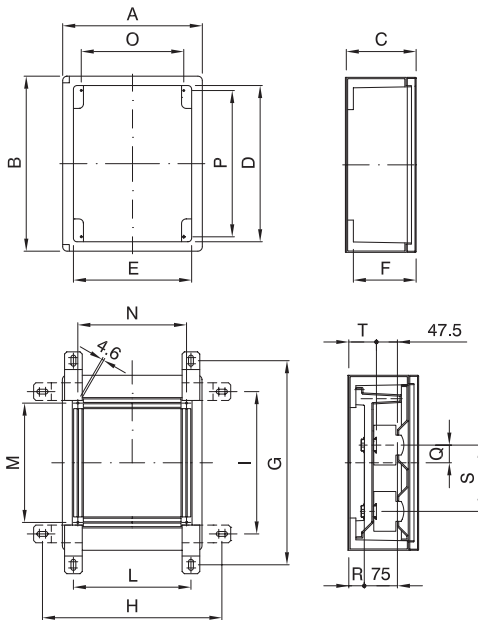
GW 44 808  
GW 44 809  
GW 44 810  
GW 44 811



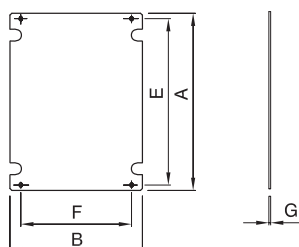
GW 44 818  
GW 44 819  
GW 44 820  
GW 44 821



GW 44 852  
GW 44 853  
GW 44 854  
GW 44 855



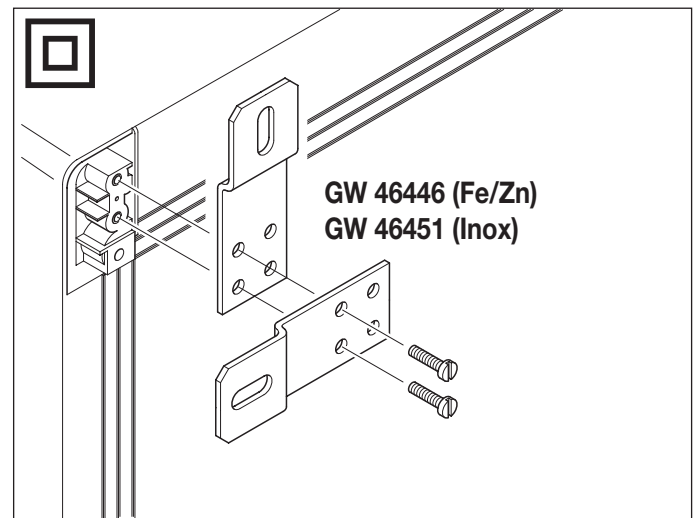
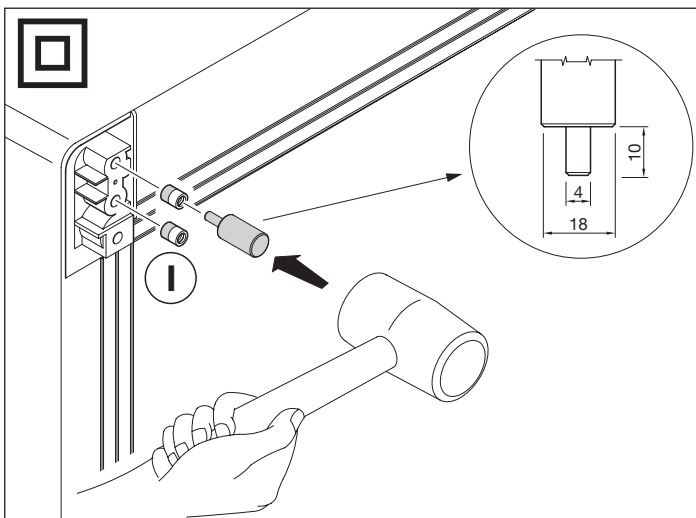
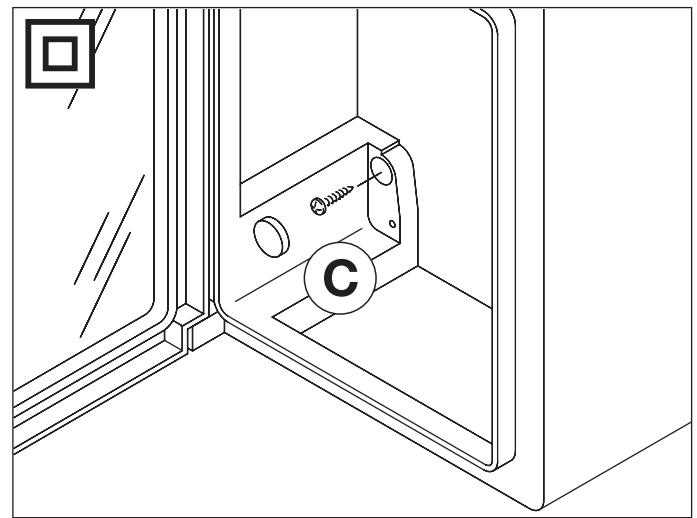
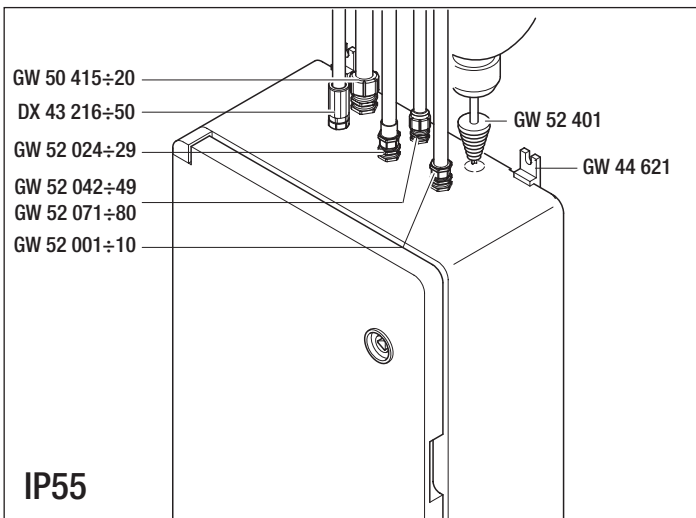
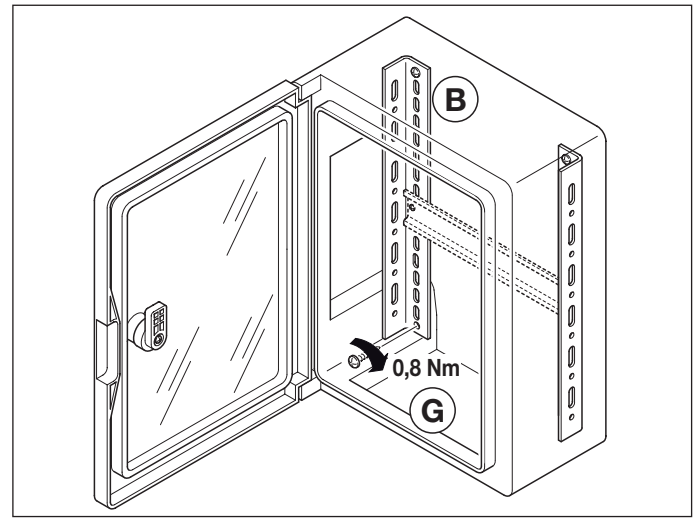
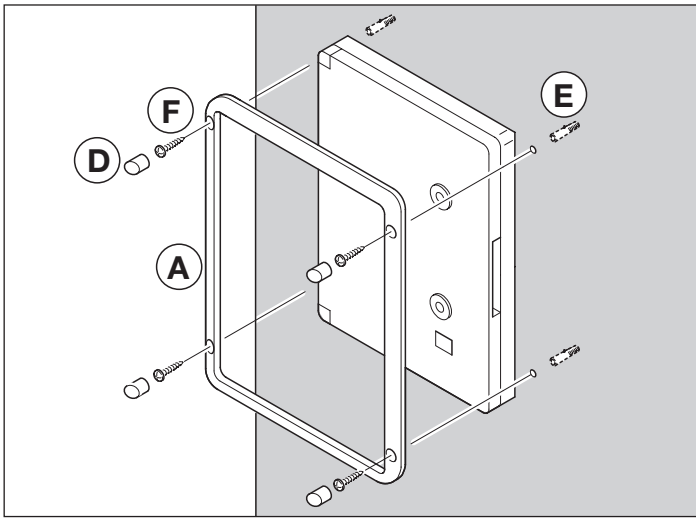
	GW 44 808 GW 44 818	GW 44 809 GW 44 819	GW 44 810 GW 44 820	GW 44 811 GW 44 821
A	200	236	316	396
B	254	316	396	474
C	135	135	160	160
D	211,5	273,5	353,5	431,5
E	151,5	187,5	267,5	347,5
F	127,5	127,5	140	140
G	321	383	463	541
H	290	326	406	486
I	181	243	323	401
L	150	186	266	346
M	129	191	271	349
N	130	166	246	326
O	116	152	232	312
P	189	251	331	409
Q	-	40	40	75
R	-	27	35	35
S	-	150	150	150
T	-	54,5	62,5	62,5

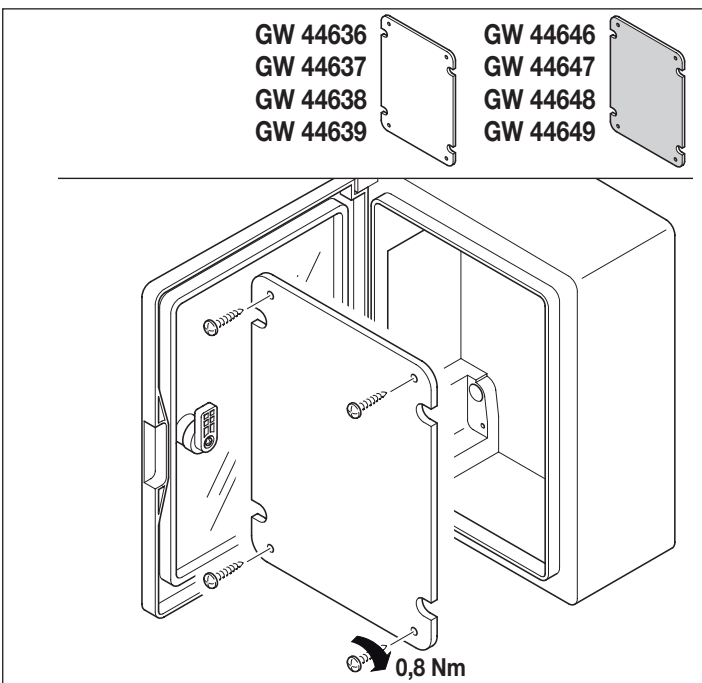
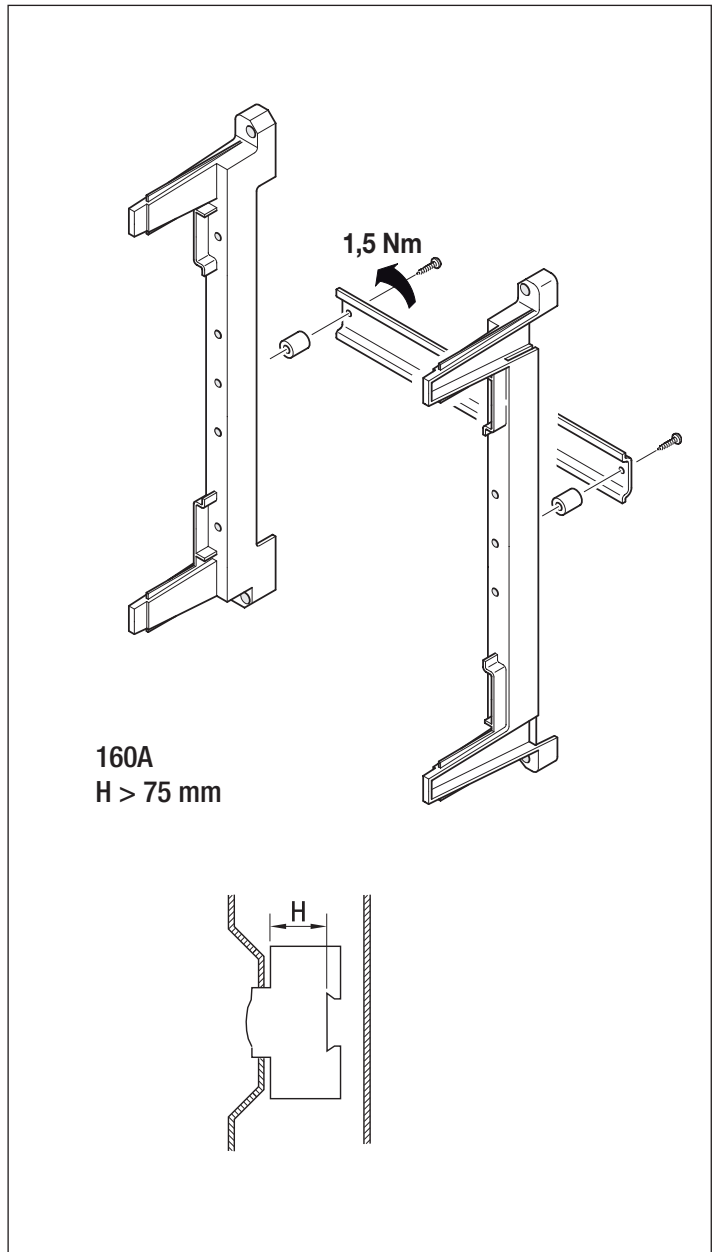
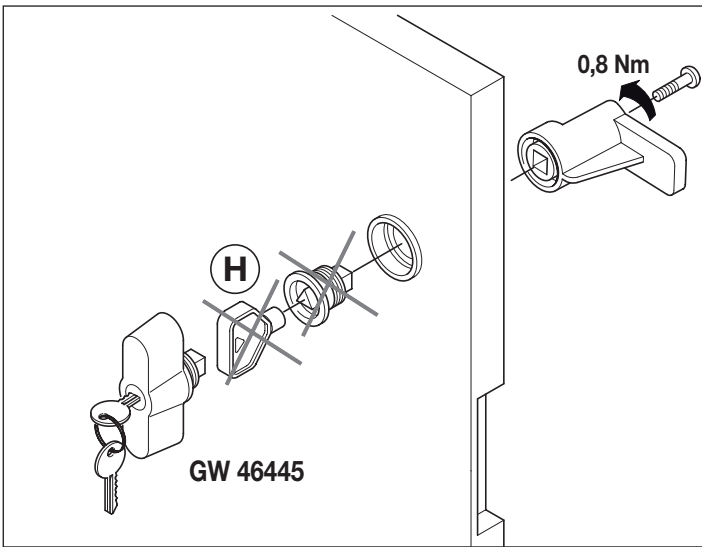
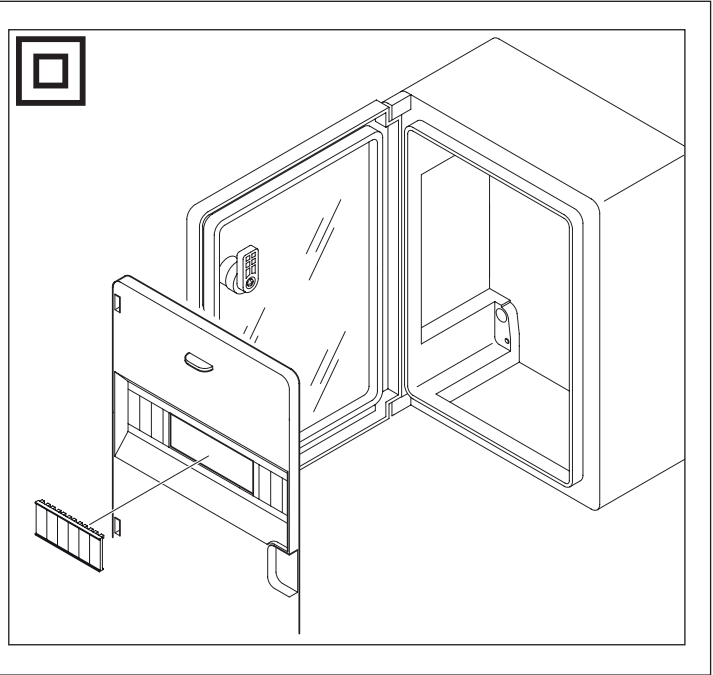
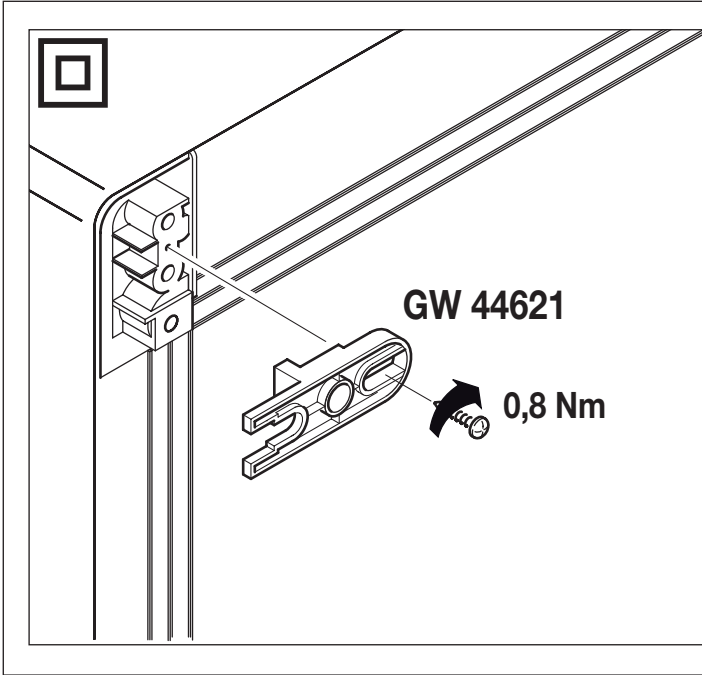


	A	B	E	F	G	
GW 44 636	205,5	145,5	189	118	1,5	GW 44 808
4					GW 44 818	
GW 44 637	267,5	181,5	251	152	1,5	GW 44 809
4					GW 44 819	
GW 44 638	347,5	261,5	331	232	2	GW 44 810
4					GW 44 820	
GW 44 639	425,5	341,5	409	312	2	GW 44 811
4					GW 44 821	



	A	B	C	D	E	F	G	H	
GW 44 808 - GW 44 818	1	-	4	4	4	4	-	1	8
GW 44 809 - GW 44 810 - GW 44 811 GW 44 819 - GW 44 820 - GW 44 821	1	2	4	4	4	4	4	1	8

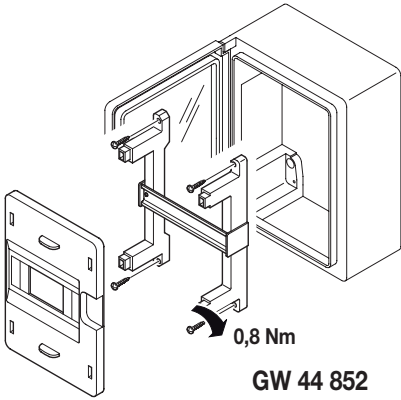
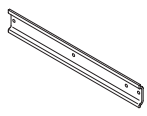
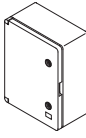
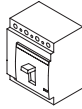
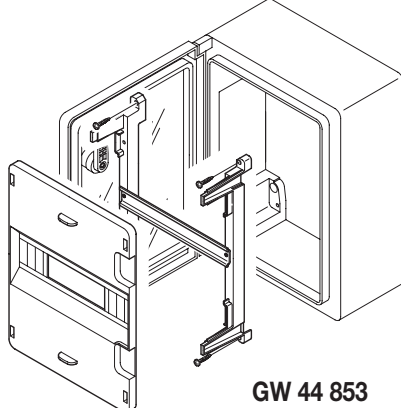
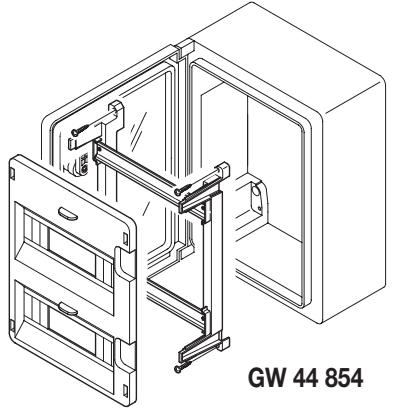
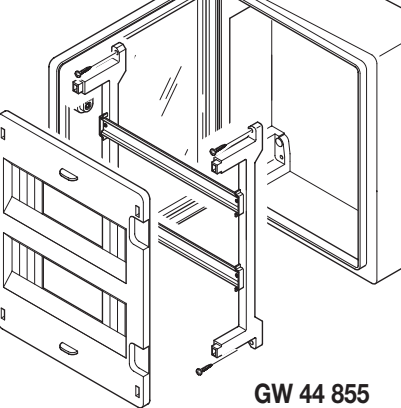







IEC 60670-24 GP Ui 750V

75921346

 <p><b>GW 44 852</b></p> <p>0,8 Nm</p>	 <p>EN 50022</p>		 <p>In max.</p>
 <p><b>GW 44 853</b></p>	<p>8</p>	<p>GW 44 809 GW 44 819</p>	<p>125A 3P - 4P</p>
 <p><b>GW 44 854</b></p>	<p>14</p>	<p>GW 44 810</p> <p>GW 44 820</p>	<p>125A 3P - 4P</p> <p>160A 3P - 4P</p>
 <p><b>GW 44 855</b></p>	<p>24 (12x2)</p>	<p>GW 44 810 GW 44 820</p>	<p>125A 3P - 4P</p> <p>160A 3P - 4P</p>
 <p><b>GW 44 855</b></p>	<p>32 (16x2)</p>	<p>GW 44 811</p> <p>GW 44 821</p>	<p>125A 3P - 4P</p> <p>160A 3P - 4P</p>

Punto di contatto indicato in adempimento ai fini delle direttive e regolamenti UE applicabili:  
 Contact details according to the relevant European Directives and Regulations:  
 GEWISS S.p.A. Via A.Volta, 1 IT-24069 Cenate Sotto (BG) Italy tel: +39 035 946 111 E-mail: qualitymarks@gewiss.com

According to applicable UK regulations, the company responsible for placing the goods in UK market is:  
 GEWISS U.K. LTD - Unity House, Compass Point Business Park, 9 Stockbridge way, St. Ives  
 Cambridgeshire, PE27 5JL, United Kingdom tel: +44 1954 712757 E-mail: gewiss-uk@gewiss.com



+39 035 946 111  
 8.30 - 12.30 / 14.00 - 18.00  
 lunedì - venerdì - monday - friday



+39 035 946 260



sat@gewiss.com  
 www.gewiss.com

ULTIMA REVISIONE 02/2022