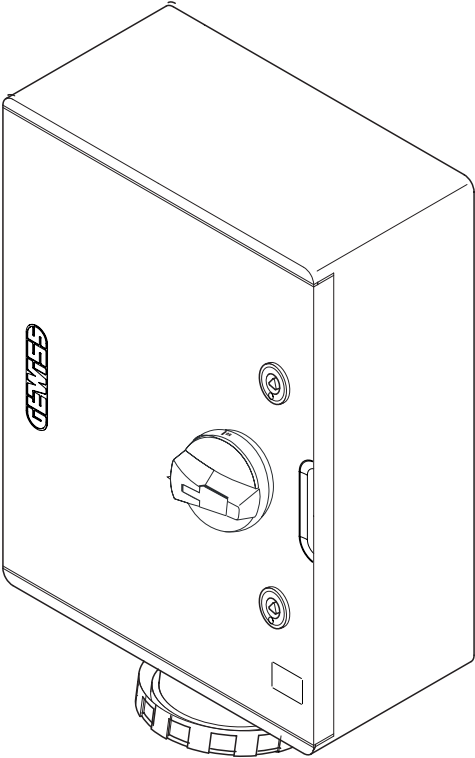
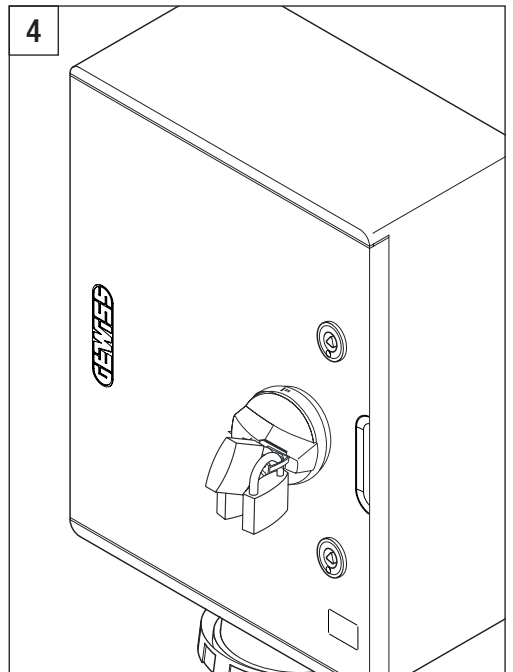
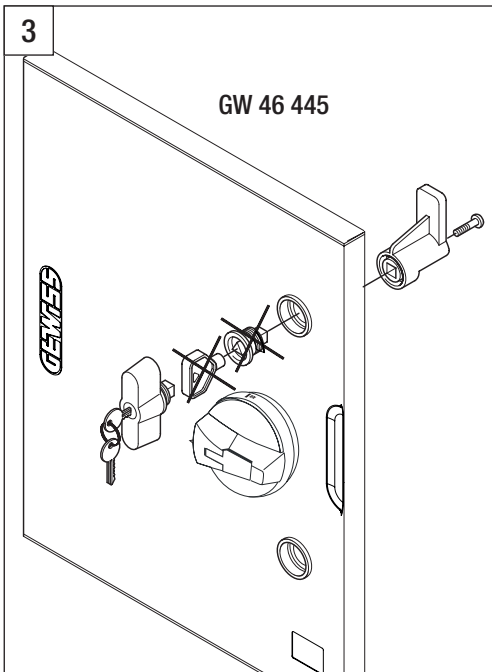
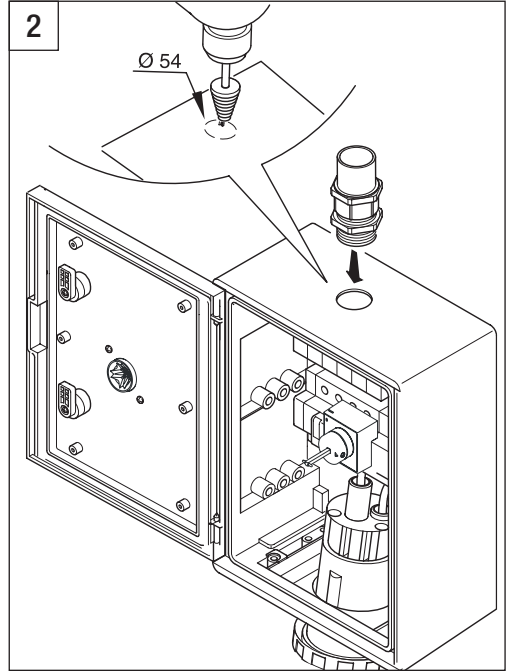
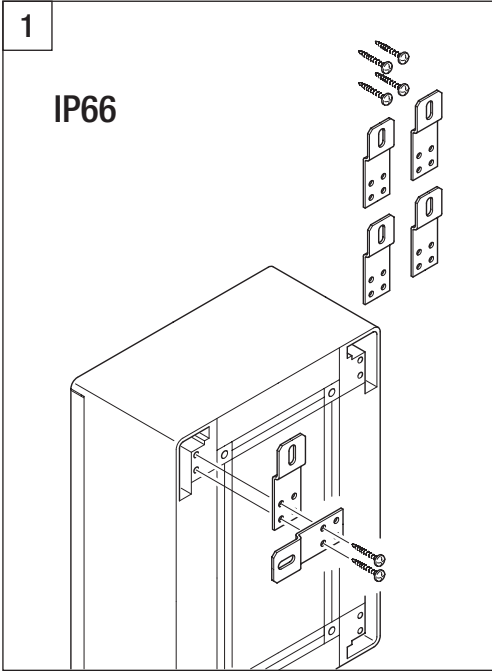


**66/67 IB**

**CE**

**GEWISS**

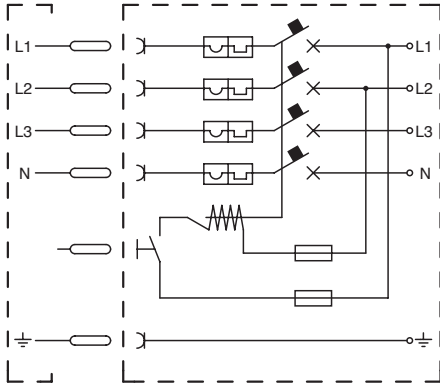






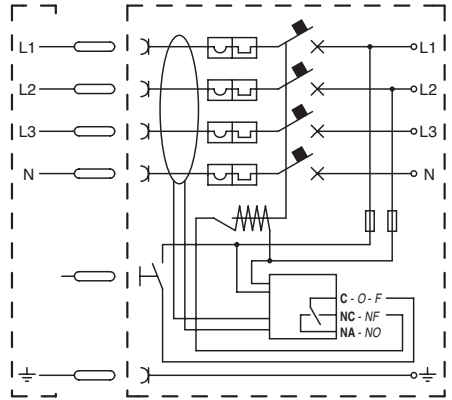
### GW 66 581 ÷ GW 66 586

(110/230V/400V)



### GW 66 591 ÷ GW 66 596

(110/230V/400V)

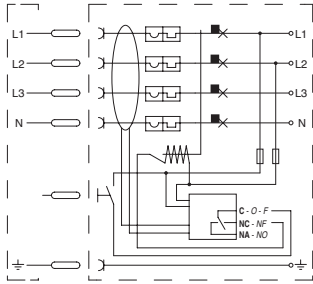


GW 66 581	125A/110V	3P+T	4
GW 66 582	125A/110V	3P+N+T	4
GW 66 583	125A/230V	3P+T	9
GW 66 584	125A/230V	3P+N+T	9
GW 66 585	125A/400V	3P+T	6
GW 66 586	125A/400V	3P+N+T	6
GW 66 591	125A/110V	3P+T	4
GW 66 592	125A/110V	3P+N+T	4
GW 66 593	125A/230V	3P+T	9
GW 66 594	125A/230V	3P+N+T	9
GW 66 595	125A/400V	3P+T	6
GW 66 596	125A/400V	3P+N+T	6

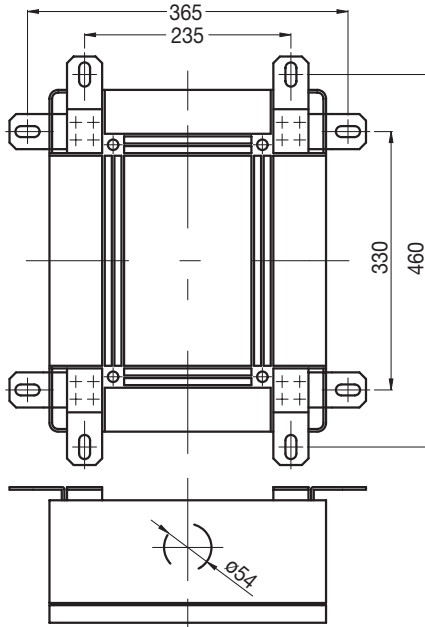
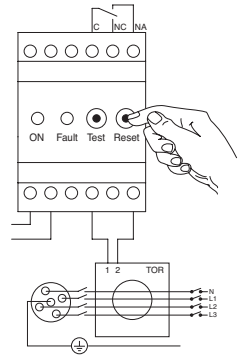
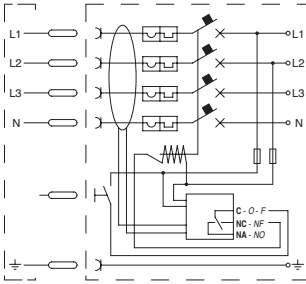


# GW 66 591 ÷ GW 66 596

## OK!



## KO!



Punto di contatto indicato in adempimento ai fini delle direttive e regolamenti UE applicabili:

Contact details according to the relevant European Directives and Regulations:

GEWISS S.p.A. Via A.Volta, 1 IT-24069 Cenate Sotto (BG) Italy tel: +39 035 946 111 E-mail: [qualitymarks@gewiss.com](mailto:qualitymarks@gewiss.com)



+39 035 946 111  
8.30 - 12.30 / 14.00 - 18.00  
lunedì + venerdì - monday + friday



+39 035 946 260



[sat@gewiss.com](mailto:sat@gewiss.com)  
[www.gewiss.com](http://www.gewiss.com)