

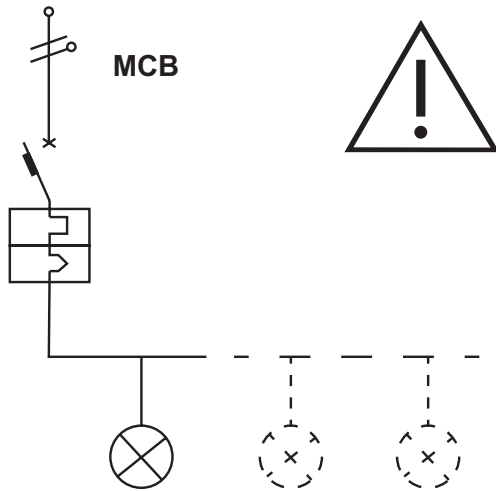
IP65




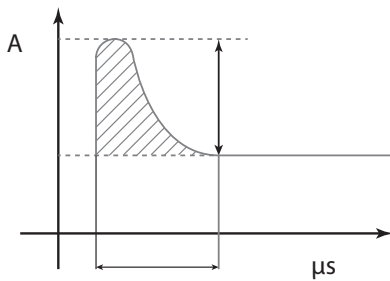
RG0 → 0,2m



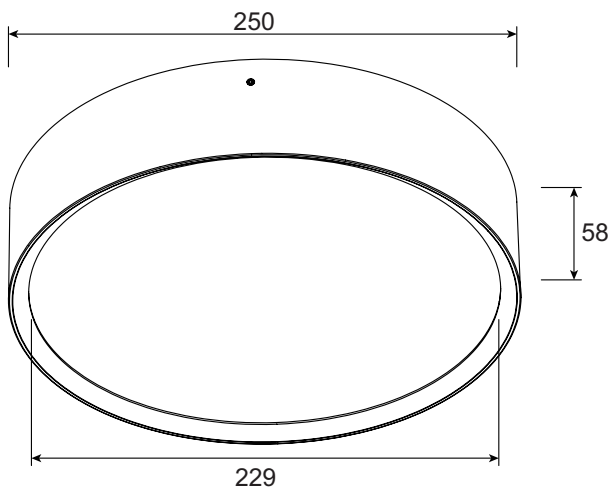
$t_a +45^\circ\text{C}$



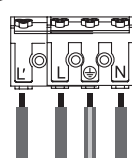
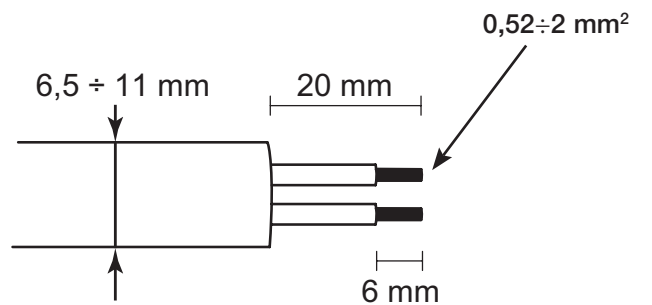
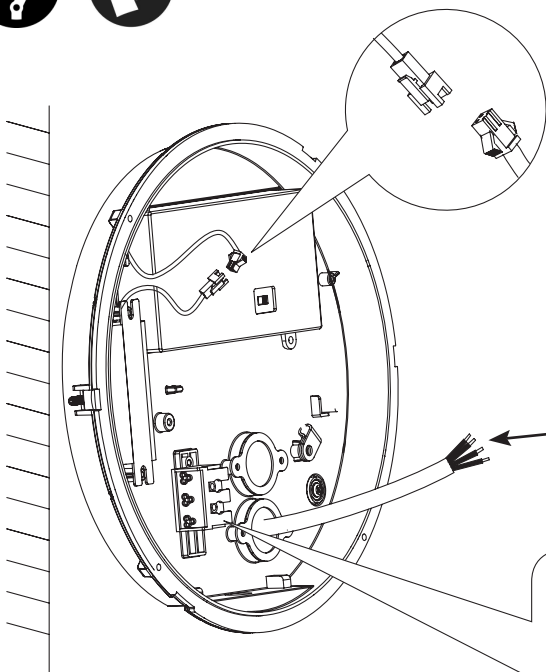
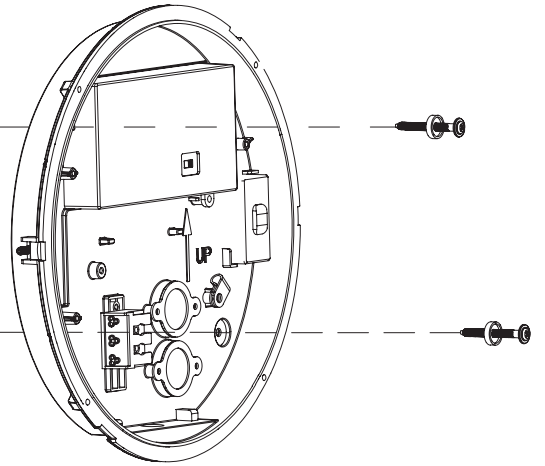
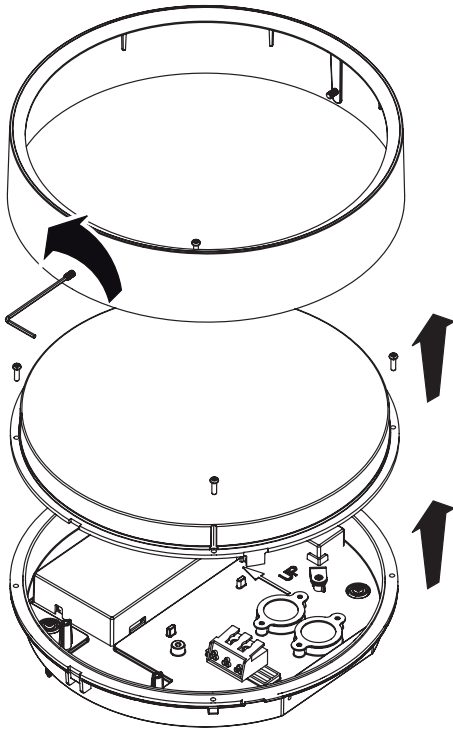
	 16A
MCB type B:	Max n.116
MCB type C:	Max n.193
MCB type D:	Max n.386



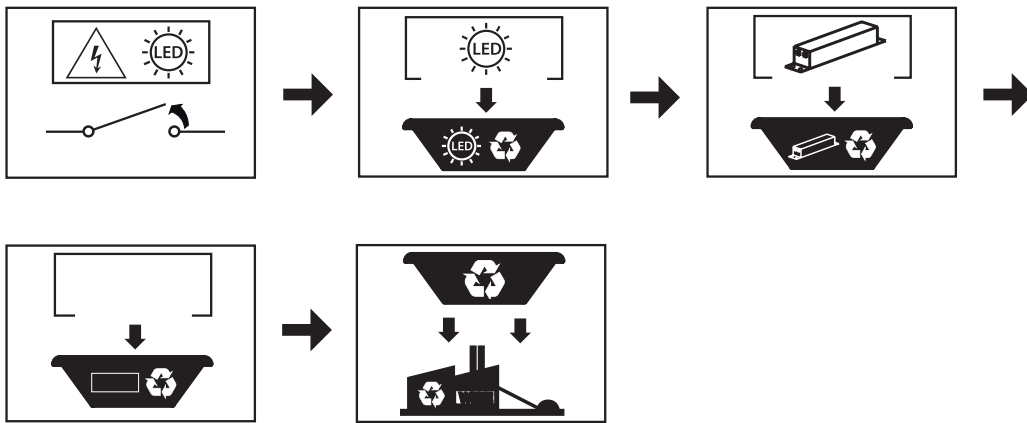
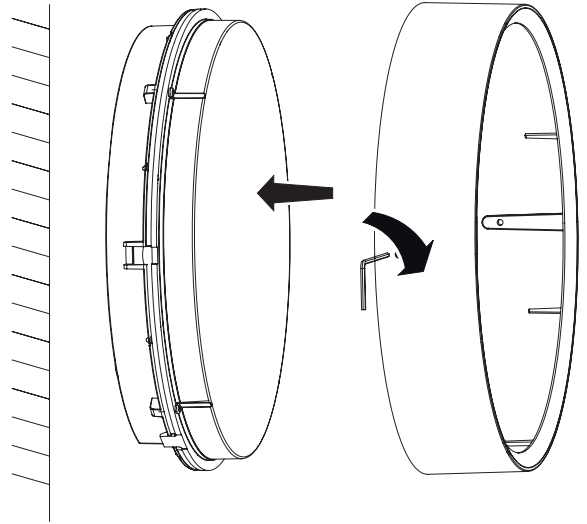
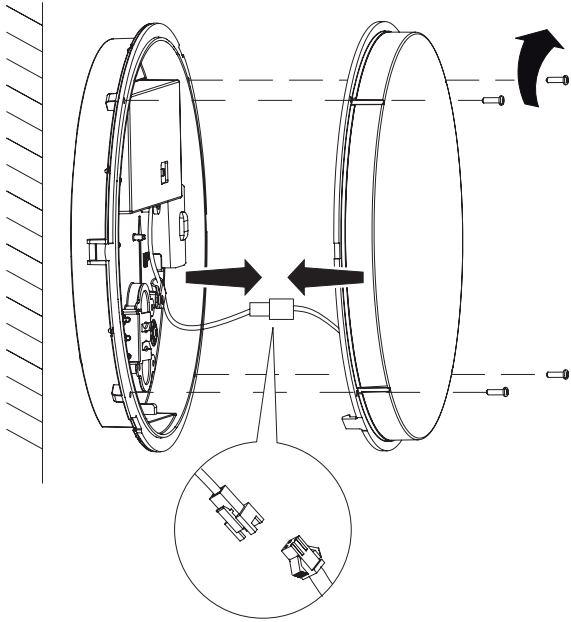
Inrush current peak and width:	
ON/OFF	11.6A/96.8 µs
EM	11.6A/96.8 µs



1,05 Kg



L' = UNSWITCHED
L = SWITCHED
N = NEUTRAL
⊕ = GROUND WIRE



Punto di contatto indicato in adempimento ai fini delle direttive e regolamenti UE applicabili:

Contact details according to the relevant European Directives and Regulations:

GEWISS S.p.A. Via A.Volta, 1 IT-24069 Cenate Sotto (BG) Italy tel: +39 035 946 111 E-mail: qualitymarks@gewiss.com

According to applicable UK regulations, the company responsible for placing the goods in UK market is:

GEWISS UK LTD - Unity House, Compass Point Business Park, 9 Stocks Bridge Way, ST IVES
Cambridgeshire, PE27 5JL, United Kingdom tel: +44 1954 712757 E-mail: gewiss-uk@gewiss.com



+39 035 946 11

8:30 - 12:30 / 14:00 - 18:00
lunedì - venerdì / monday - friday



www.gewiss.com

