

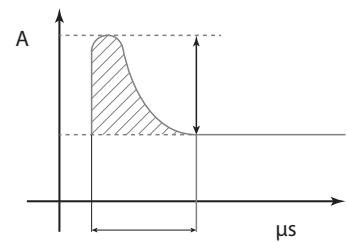
IP66



$t_{min} -25^{\circ}C$

	Kg			
ROAD [5] MINI				
3 LEDS	6,8	MAX 15 m	0,15m ²	0,05 m ²
6 LEDS	7	MAX 15 m	0,15m ²	0,05 m ²
ROAD [5] MEDIUM				
9 LEDS	8,5	MAX 15 m	0,19m ²	0,06 m ²
12 LEDS	8,7	MAX 15 m	0,19m ²	0,06 m ²
15 LEDS	8,9	MAX 15 m	0,19m ²	0,06 m ²
18 LEDS	9,1	MAX 15 m	0,19m ²	0,06 m ²

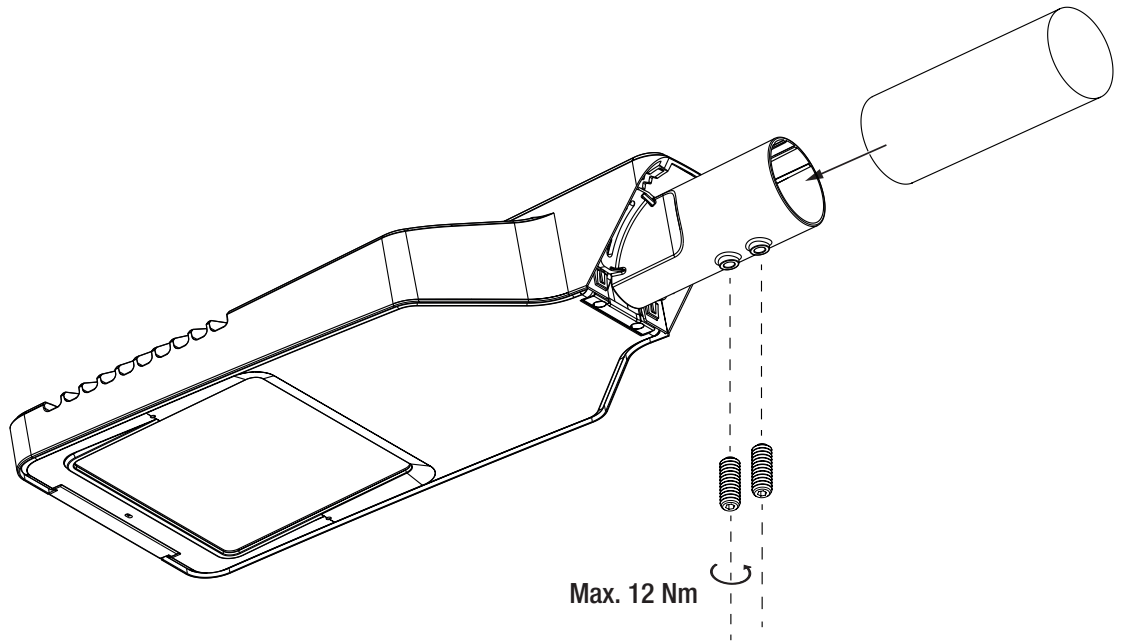
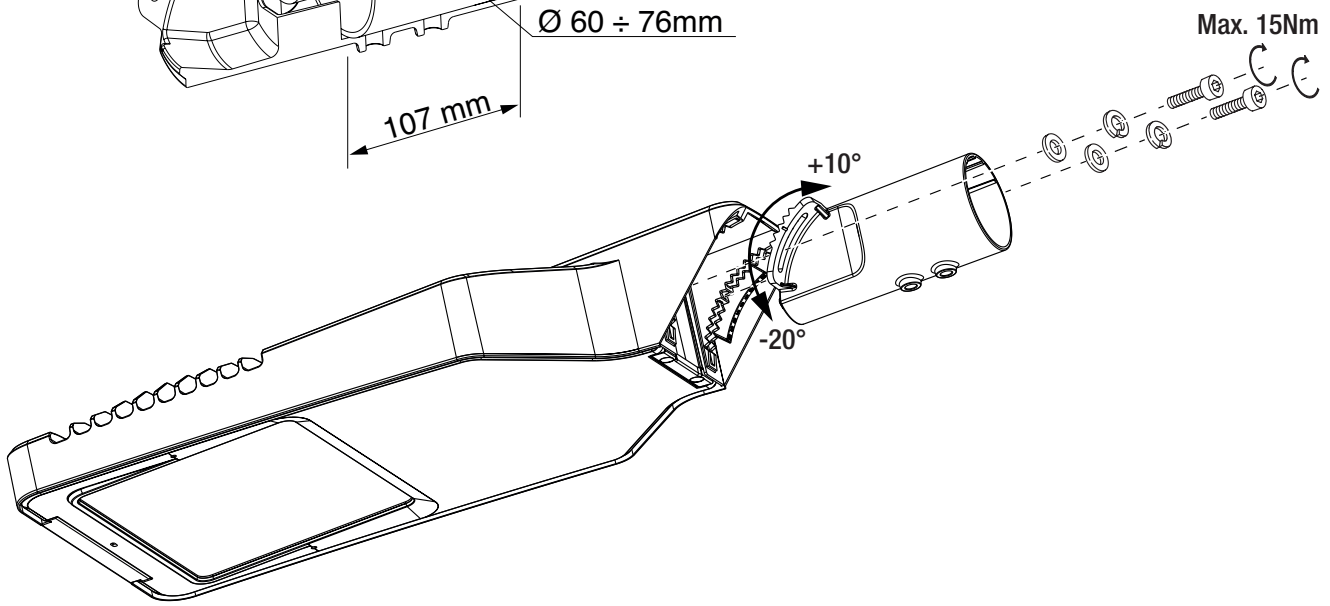
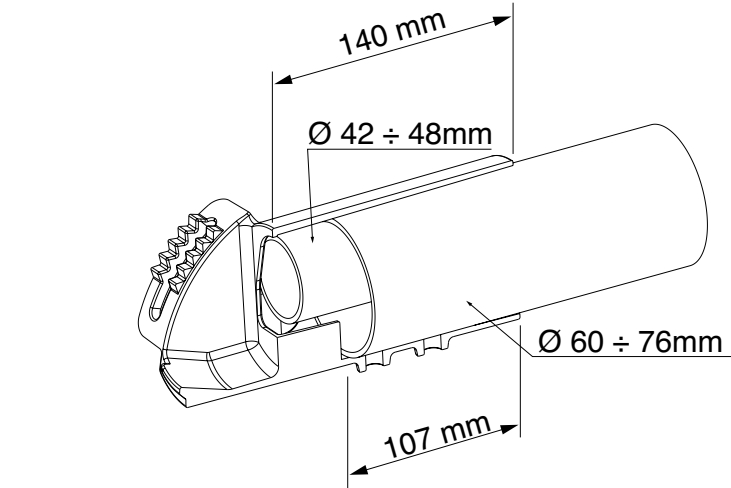
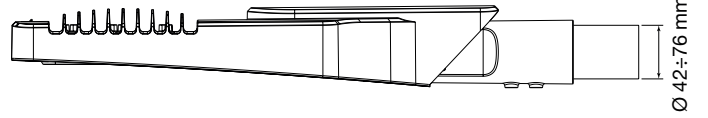
ROAD [5]			<i>I_{LED}</i> (A)		
			ta 50°C	ta 45°C	ta 40°C
STAND-ALONE / DIMMABLE 1-10V & BI-POWER WITH SELF LEARNING	MINI 1A	3 LED	Max. 0,85	Max. 0,85	Max. 1,0
		6 LED	Max. 0,85	Max. 0,85	Max. 1,0
	MINI 0,9A STAND-ALONE	6 LED	/	/	Max. 0,9
	MEDIUM 1A	9 LED	Max. 0,85	Max. 0,85	Max. 1,0
		12 LED	Max. 0,85	Max. 0,85	Max. 1,0
		15 LED	Max. 0,7	Max. 0,7	Max. 0,85
		18 LED	Max. 0,7	Max. 0,7	Max. 0,85
	MINI 0,7A	3 LED	Max. 0,7	Max. 0,7	Max. 0,7
		6 LED	Max. 0,7	Max. 0,7	Max. 0,7
	MEDIUM 0,7A	9 LED	Max. 0,7	Max. 0,7	Max. 0,7
12 LED		Max. 0,7	Max. 0,7	Max. 0,7	
15 LED		Max. 0,7	Max. 0,7	Max. 0,7	
18 LED		Max. 0,7	Max. 0,7	Max. 0,7	
DALI	MINI 0,7A	3 LED	Max. 0,7	Max. 0,7	Max. 0,7
		6 LED	Max. 0,7	Max. 0,7	Max. 0,7
	MEDIUM 0,7A	9 LED	Max. 0,7	Max. 0,7	Max. 0,7
		12 LED	Max. 0,7	Max. 0,7	Max. 0,7
		15 LED	Max. 0,7	Max. 0,7	Max. 0,7
		18 LED	Max. 0,7	Max. 0,7	Max. 0,7

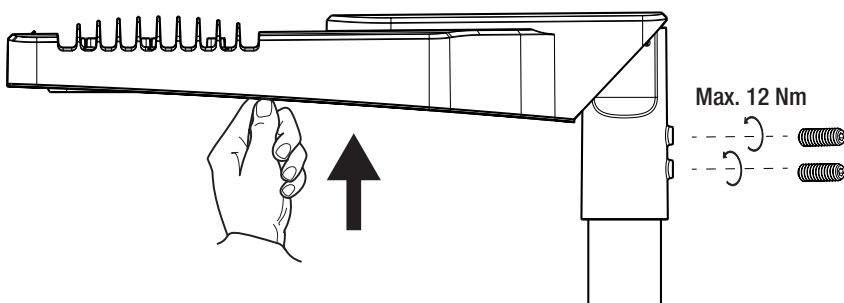
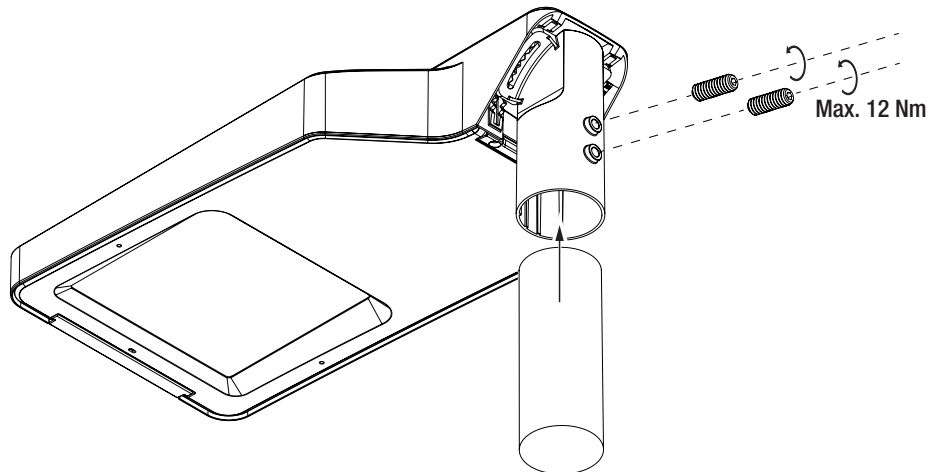
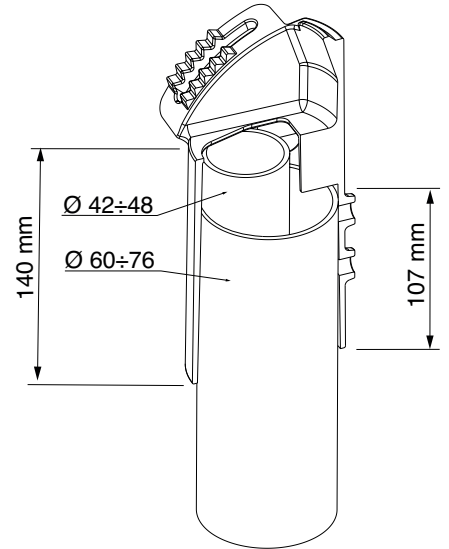
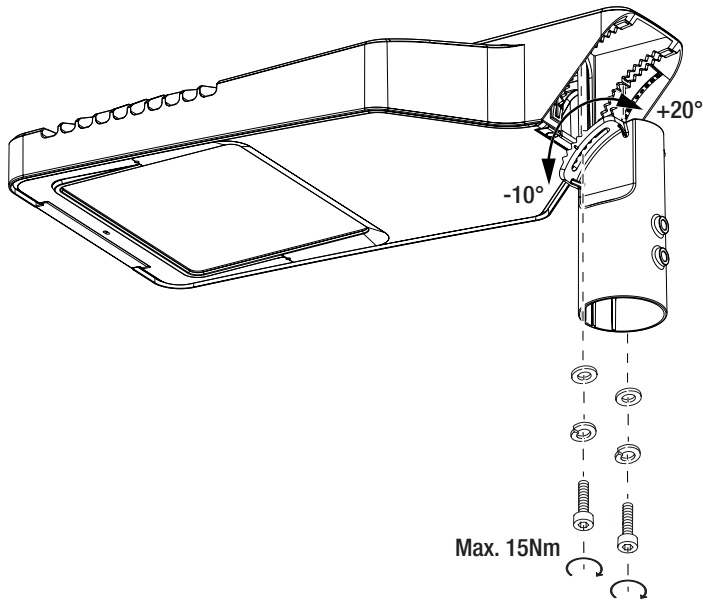
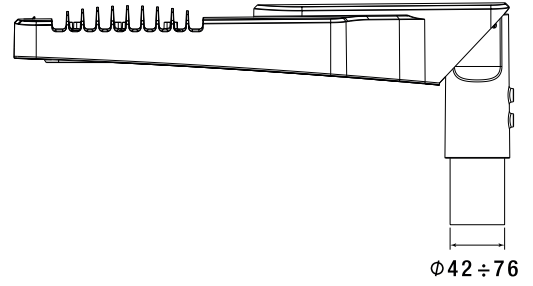


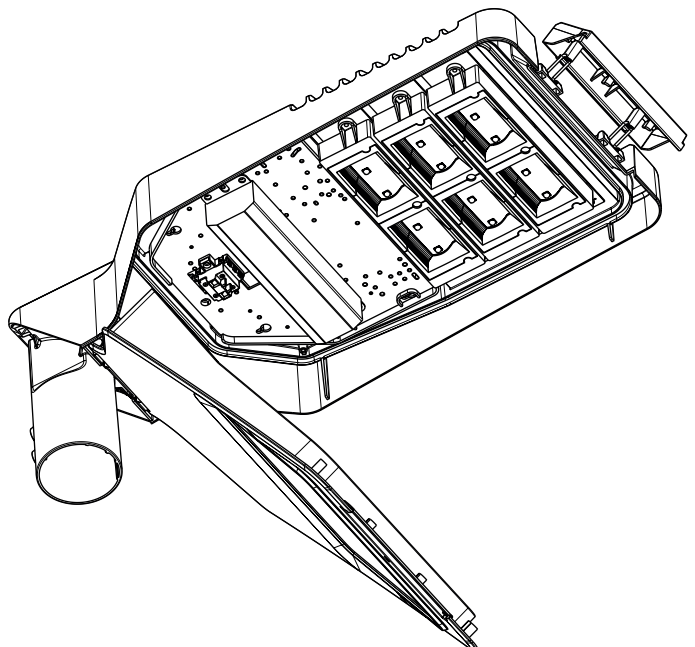
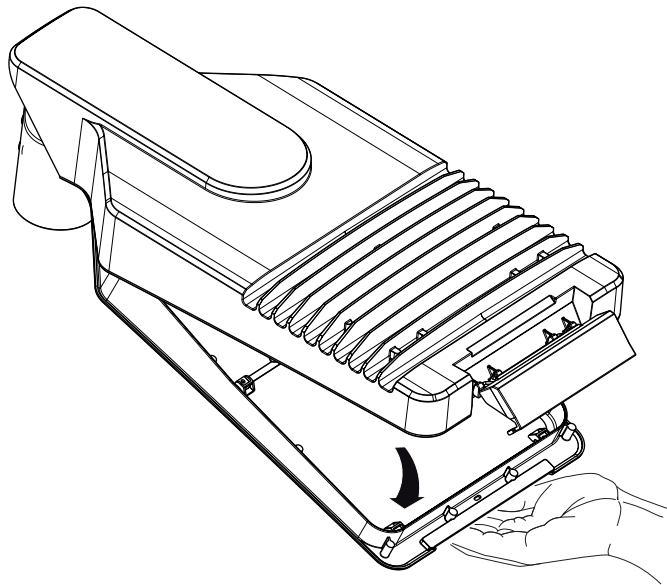
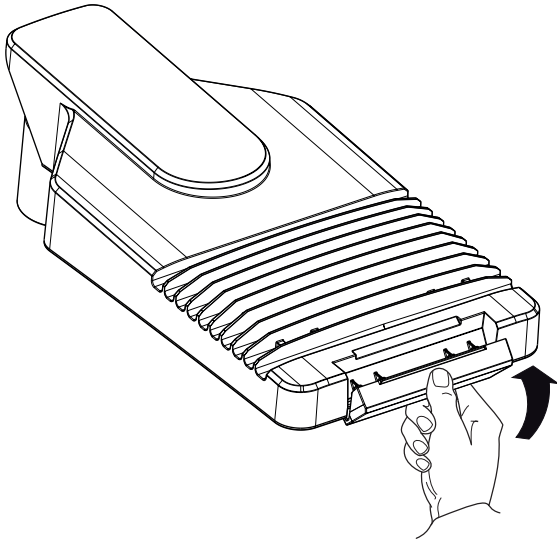
	<i>I_{LED}</i> (mA)	Inrush Current Peak and Width
ROAD [5] MINI		
3 LEDS	350	5A/50µs
3 LEDS	700	5A/50µs
3 LEDS	1000	27A/265µs
6 LEDS	700	35A/1000µs
6 LEDS	1000	35A/1000µs
ROAD [5] MINI STAND-ALONE		
3 LEDS	350	5A/50µs
3 LEDS	700	5A/50µs
3 LEDS	1000	5A/50µs
6 LEDS	700	5A/50µs
6 LEDS	900	5A/50µs
ROAD [5] MEDIUM		
9 LEDS	700	35A/1000µs
9 LEDS	1000	53A/300µs
12 LEDS	700	53A/300µs
12 LEDS	1000	53A/300µs
15 LEDS	700	53A/300µs
15 LEDS	850	106A/300µs
18 LEDS	700	53A/300µs
18 LEDS	850	106A/300µs

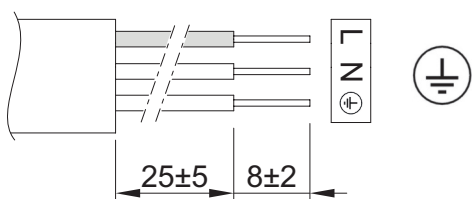
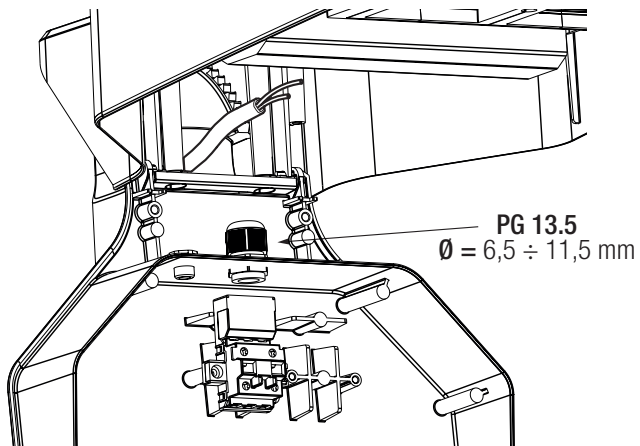


STREET OPTICS		CYCLE AND PEDESTRIAN OPTIC
W	H	
4,3 m	4,3 m	2,5 m

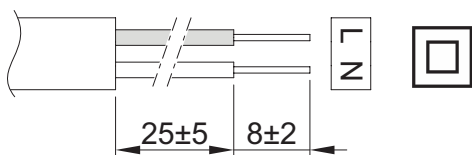




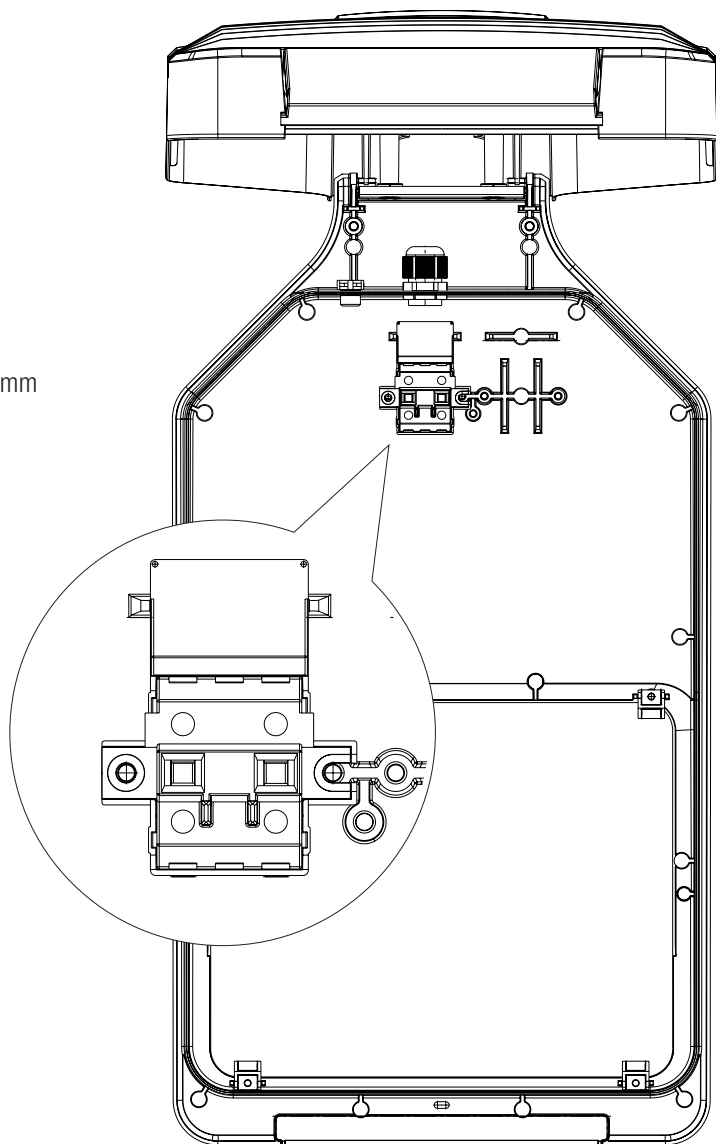




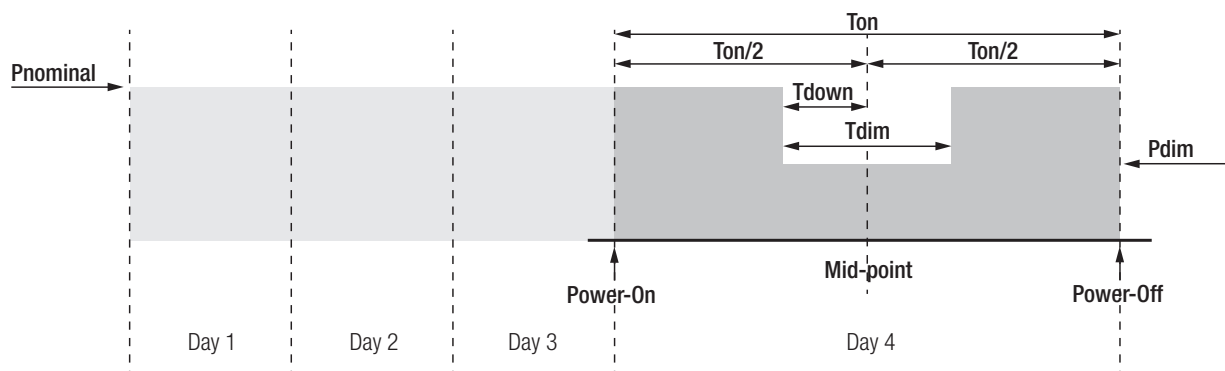
Max. 2,5 mm²



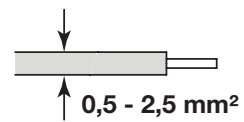
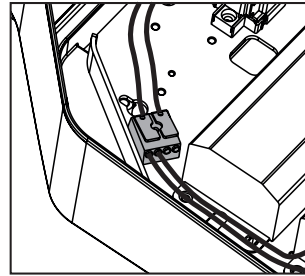
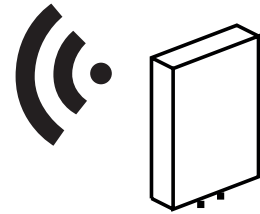
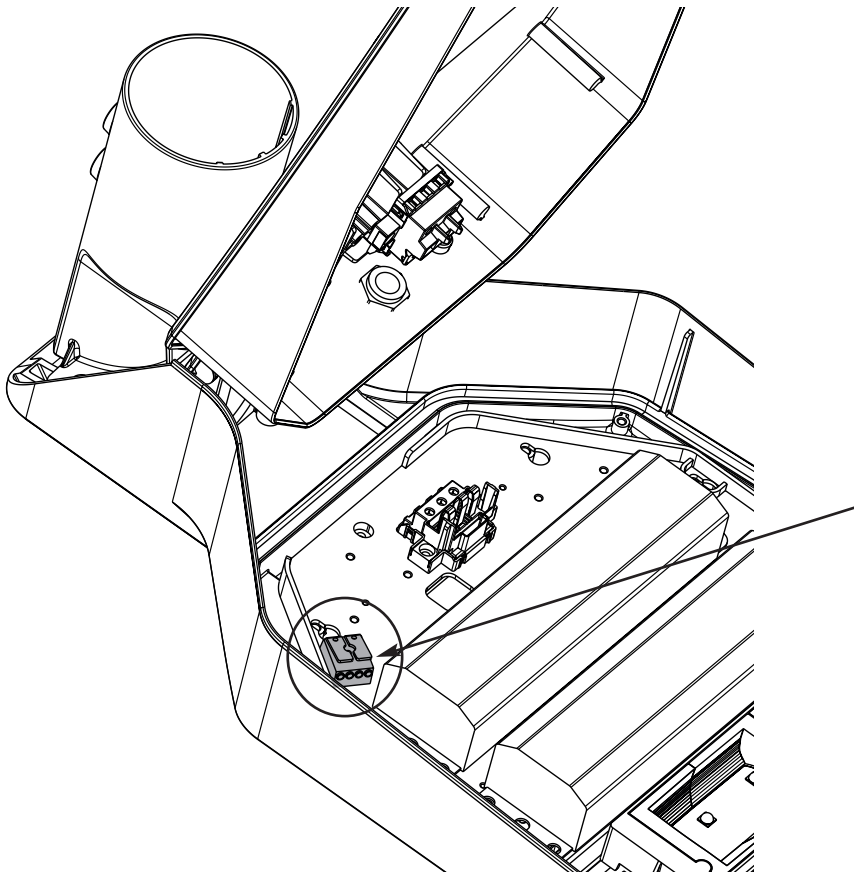
Max. 2,5 mm²

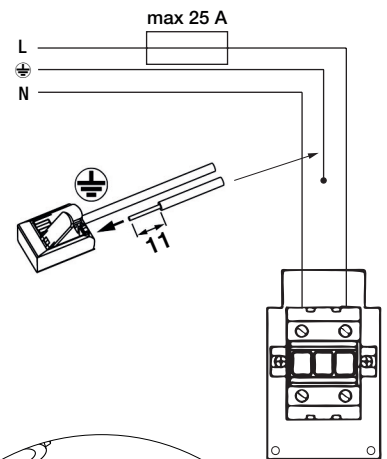
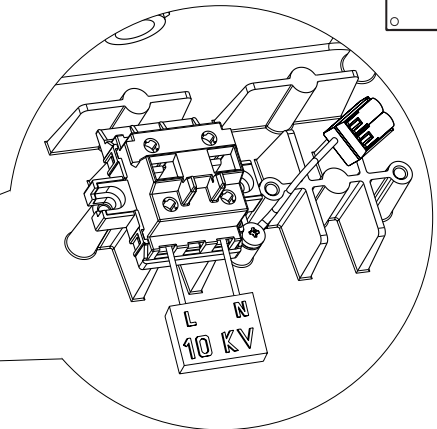
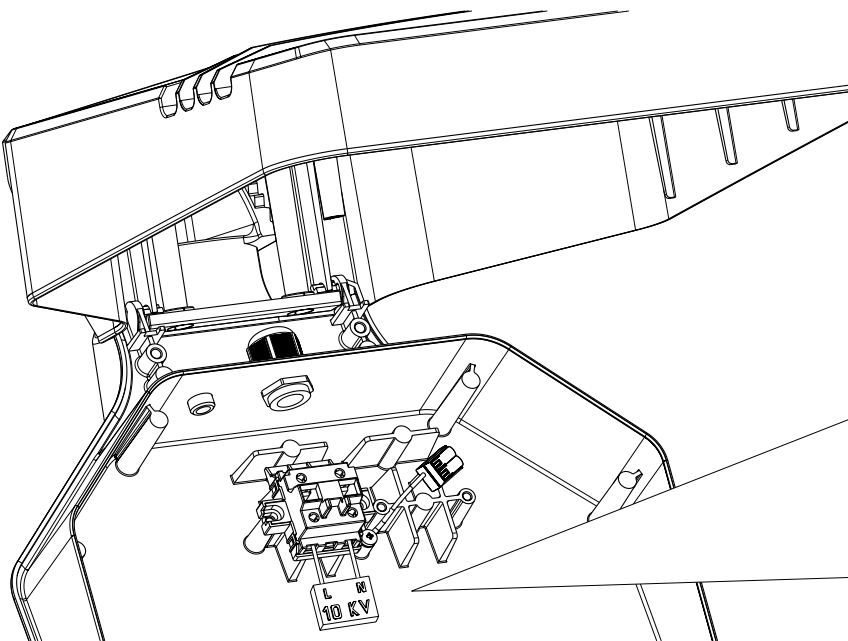
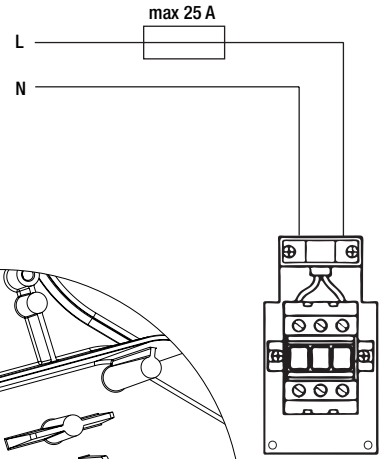
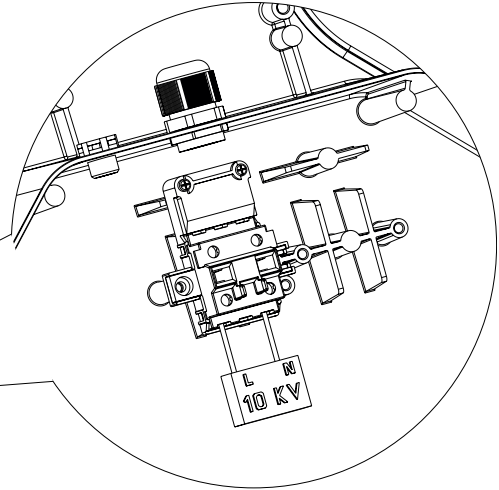
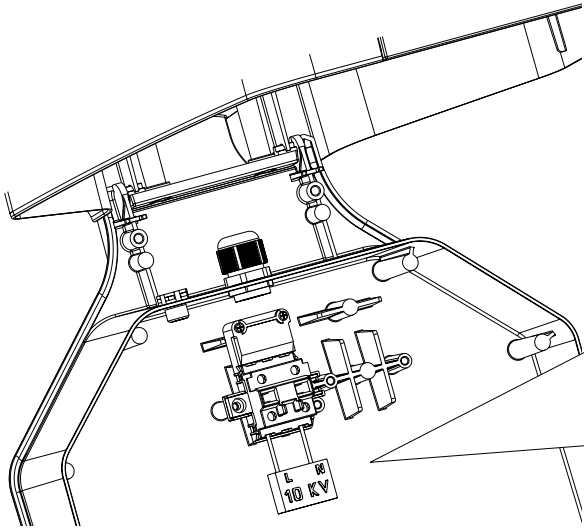


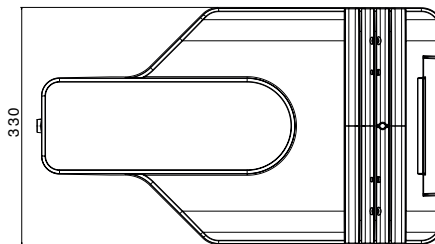
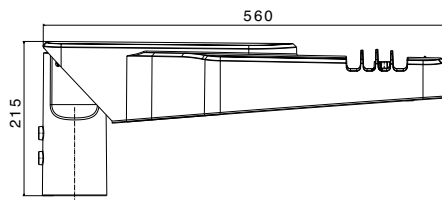
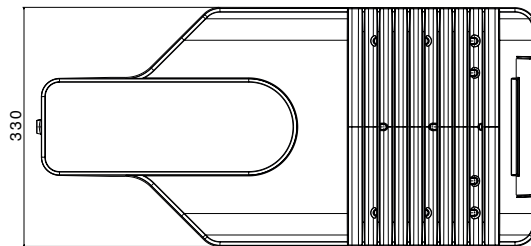
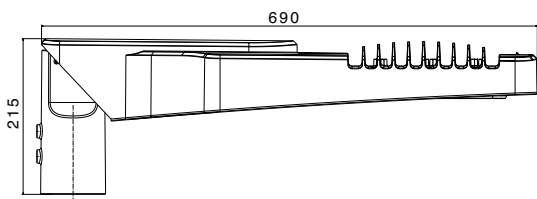
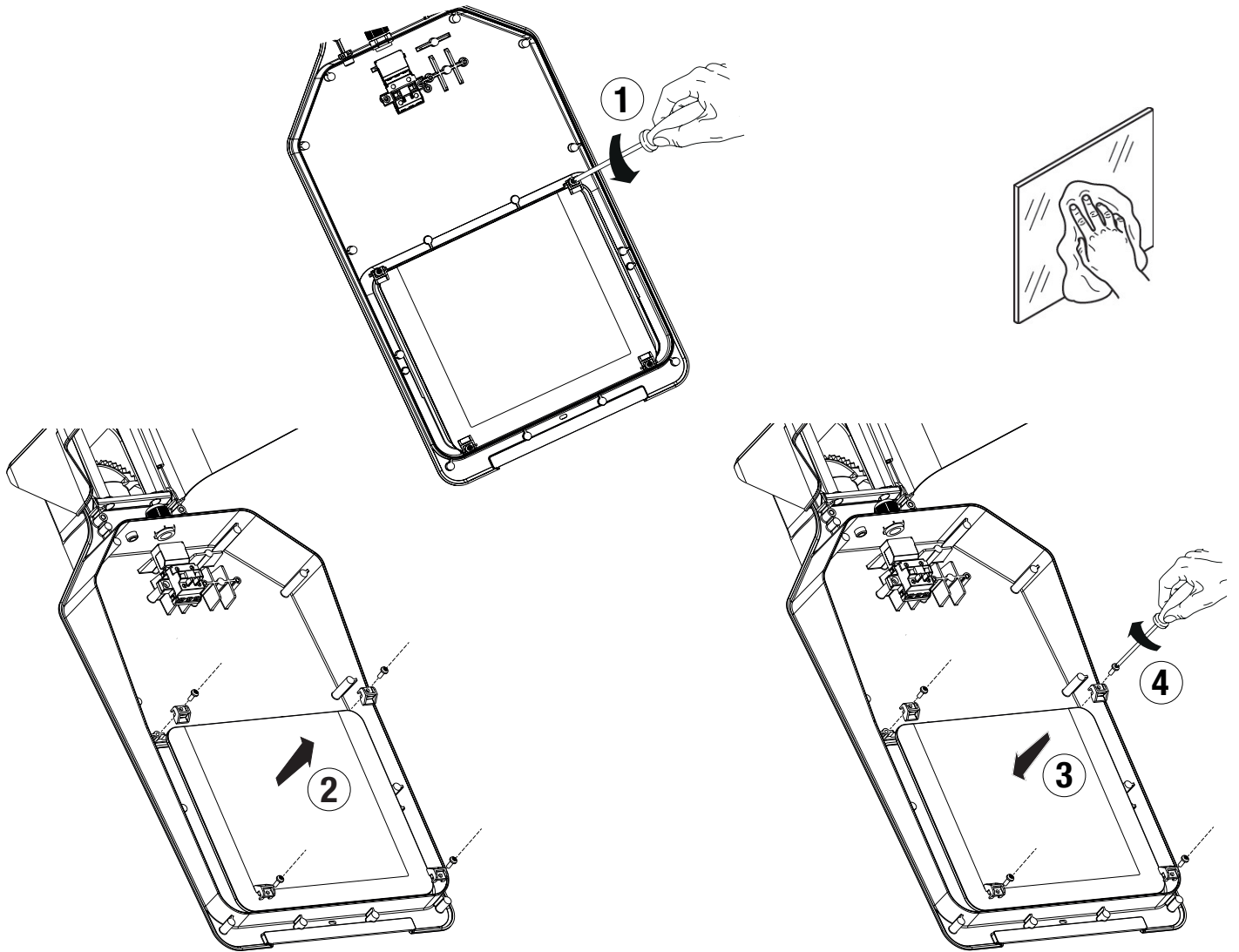
BI-POWER



Dim Level (%)	T-dim (hrs)	T-down (hrs)	After Midpoint (hrs)
50	5	1	4







Punto di contatto indicato in adempimento ai fini delle direttive e regolamenti UE applicabili:
 Contact details according to the relevant European Directives and Regulations:
 GEWISS S.p.A. Via D.Bosatelli, 1 IT-24069 Cenate Sotto (BG) Italy tel: +39 035 946 111 E-mail: qualitymarks@gewiss.com

According to applicable UK regulations, the company responsible for placing the goods in UK market is:
 GEWISS UK LTD - Unity House, Compass Point Business Park, 9 Stocks Bridge Way, ST IVES
 Cambridgeshire, PE27 5JL, United Kingdom tel: +44 1954 712757 E-mail: gewiss-uk@gewiss.com

 **+39 035 946 111**
 8:30 - 12:30 / 14:00 - 18:00
 lunedì - venerdì / monday - friday

 www.gewiss.com

