

**IP66**



$t_{min} -25^{\circ}C$

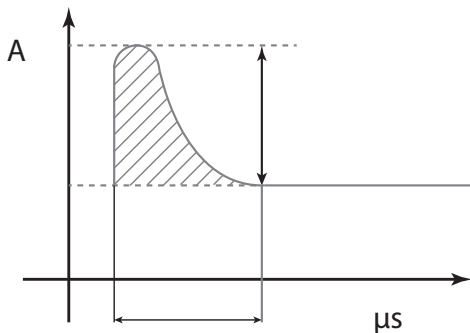


STREET OPTICS	CYCLE AND PEDESTRIAN OPTIC	
3,1 m	3,1 m	

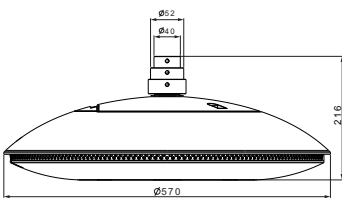
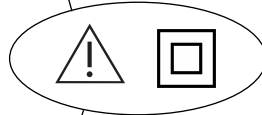
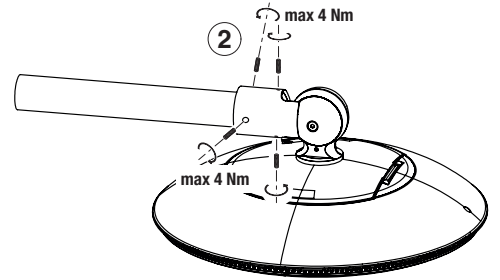
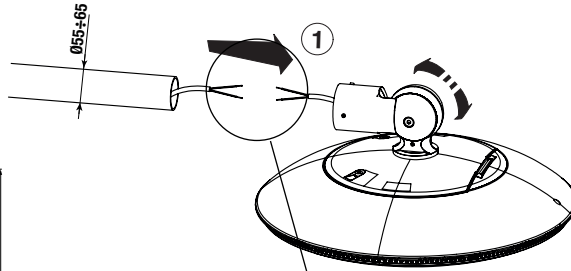
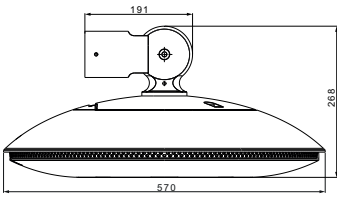
1x16 LEDs	Max 7,7	Max 15 m	*Max 8 m	0,25 m <sup>2</sup>	0,065 m <sup>2</sup>
2x16 LEDs	Max 12,0				
3x16 LEDs	Max 13,6				
4x16 LEDs	Max 14,3				

\* GW87981, GW87982, GW87991, GW87992

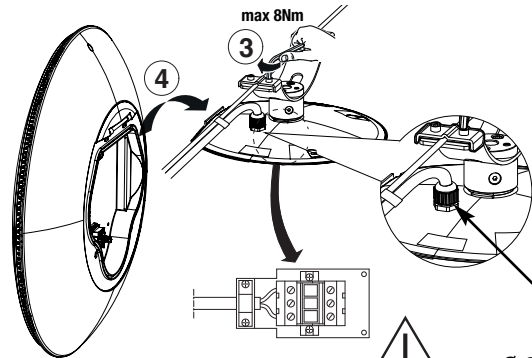
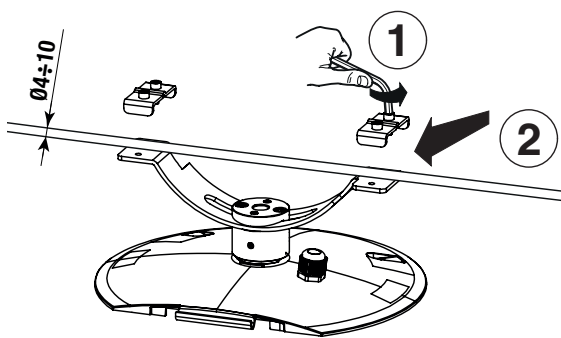
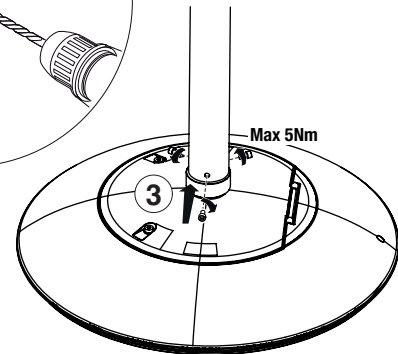
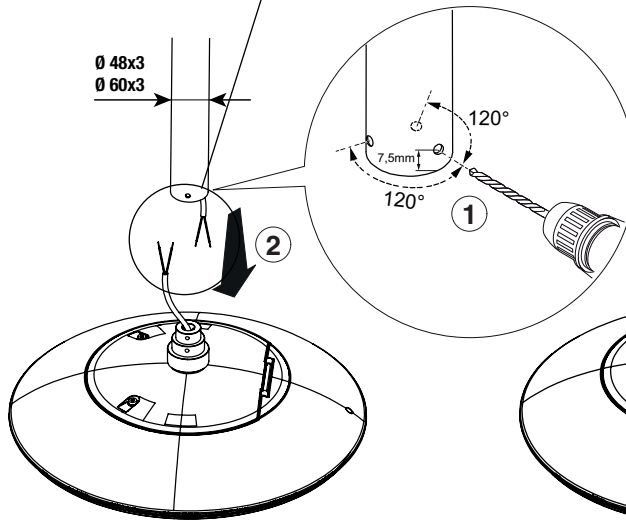
	$I_{LED}$ (mA)	Inrush current peak and width
1x16 LED	700	130 A / 165 $\mu$ s
2x16 LED	530	70 A / 120 $\mu$ s
3x16 LED	530	130 A / 140 $\mu$ s
4x16 LED	530	130 A / 140 $\mu$ s
<b>URBAN [O<sub>3</sub>] BI-POWER WITH SELF-LEARNING</b>		
1x16 LED	530	130 A / 140 $\mu$ s
2x16 LED	530	130 A / 140 $\mu$ s
3x16 LED	530	130 A / 140 $\mu$ s
4x16 LED	530	130 A / 140 $\mu$ s



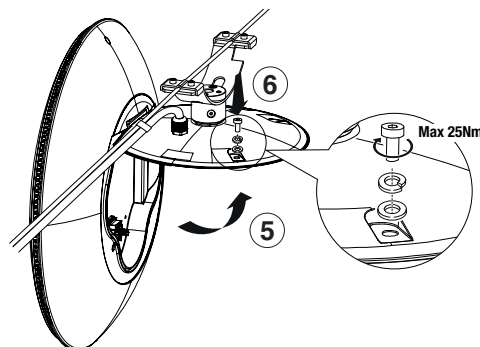
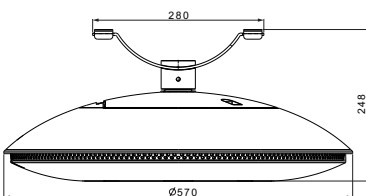
URBAN [O <sub>3</sub> ]		<i>Max. I<sub>OUT</sub></i>			
		ta 50°C	ta 45°C	ta 40°C	ta 35°C
STAND-ALONE / DIMMABLE 1-10V	2x16 LED	0,55	0,60	0,70	0,70
	3x16 LED	0,45	0,50	0,55	0,55
	4x16 LED	0,35	0,45	0,50	0,55
BI-POWER WITH SELF LEARNING	2x16 LED	0,55	0,65	0,70	0,70
	3x16 LED	0,45	0,50	0,55	0,55
	4x16 LED	0,35	0,40	0,55	0,55

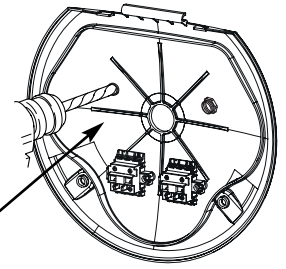
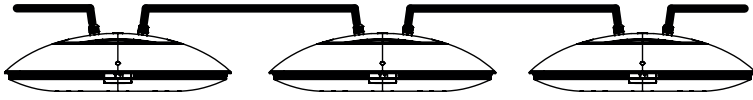


$\varnothing 48 \times 3$   
 $\varnothing 60 \times 3$



PG 13,5  
 $\varnothing 6,5 \div 11,5$  mm

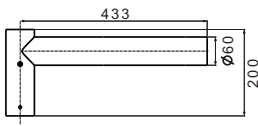
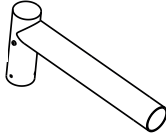




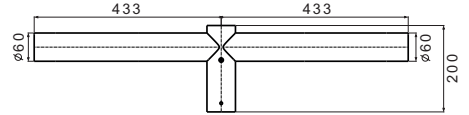
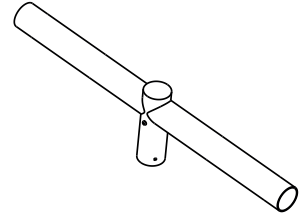
$\varnothing$  20,4 mm  
 PG 13,5  
 $\varnothing$  6,5 ÷ 11,5 mm



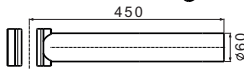
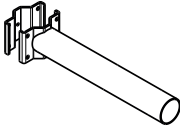
**GW87881 - GW87891**  
 $\varnothing$  60 mm



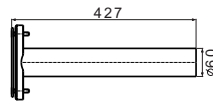
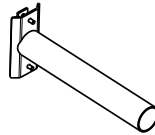
**GW87882 - GW87892**  
 $\varnothing$  60 mm



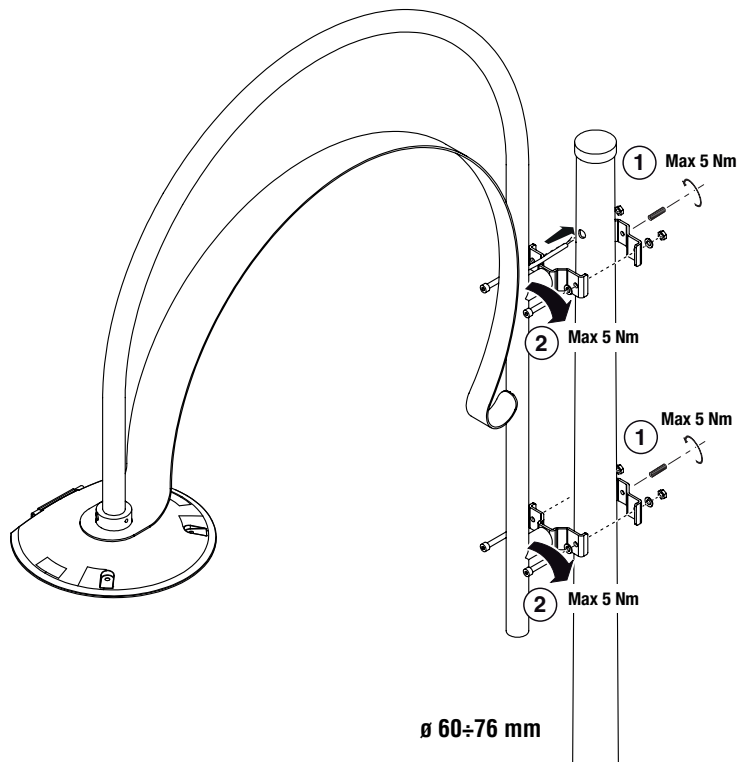
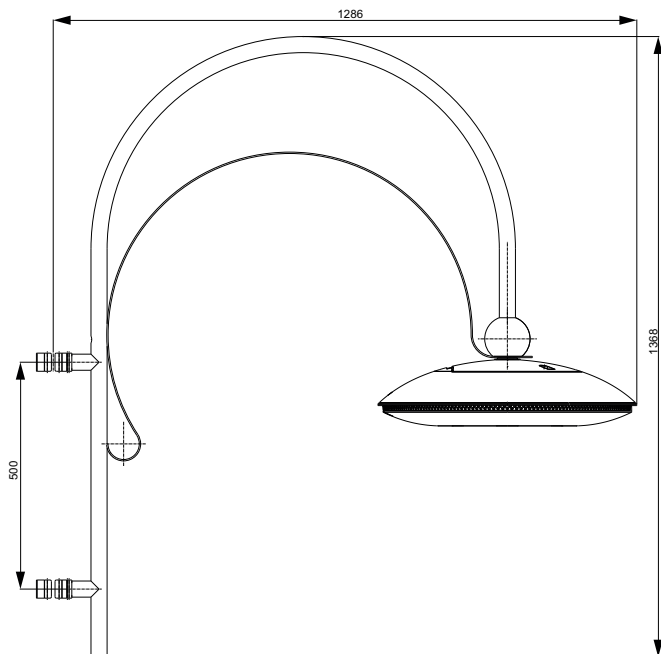
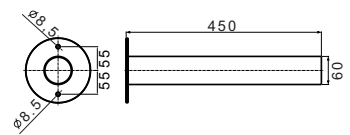
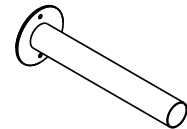
**GW87883 - GW87893**  
 $\varnothing$  60÷76 mm



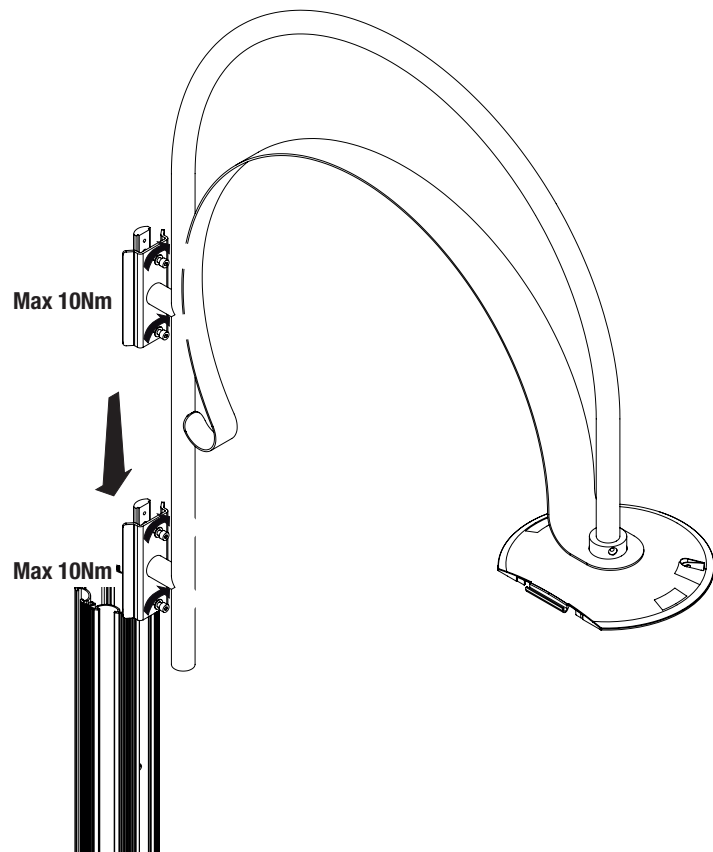
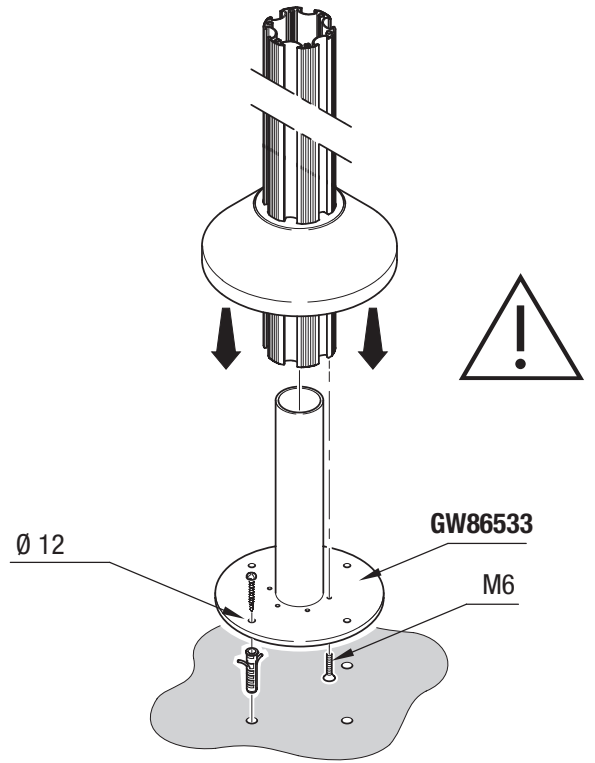
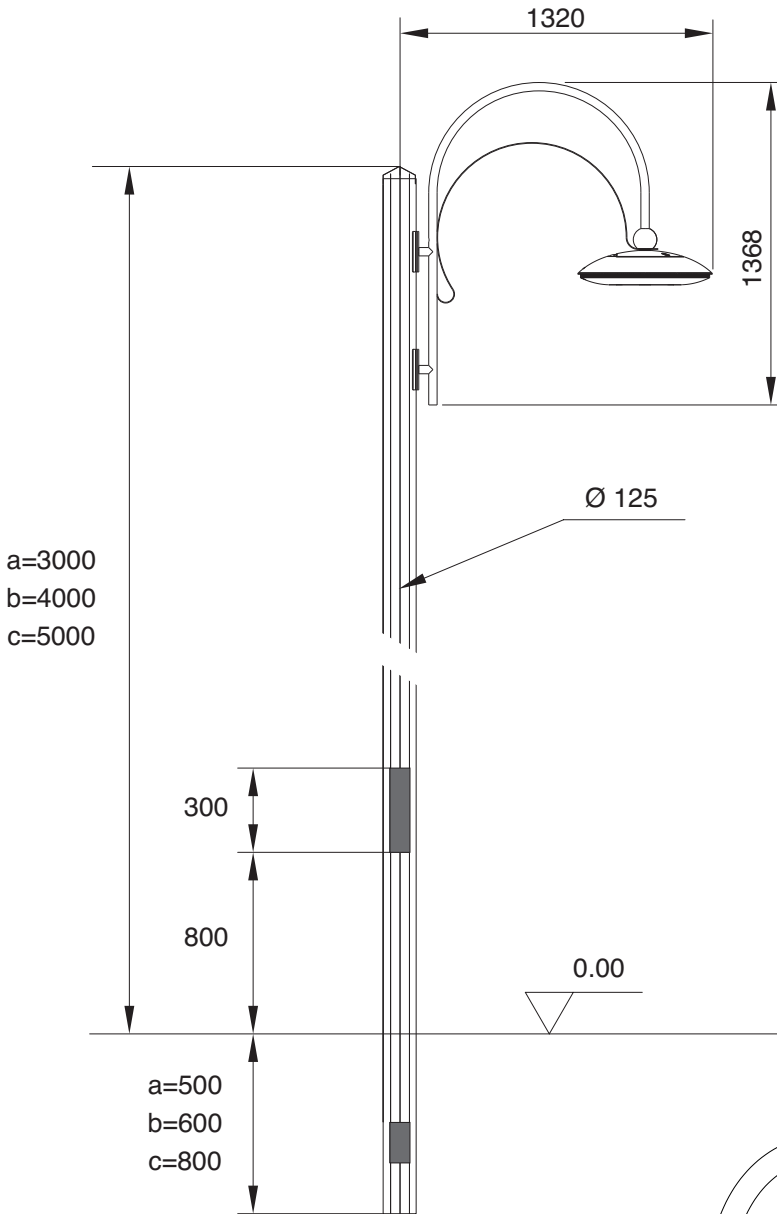
**GW87884 - GW87894**

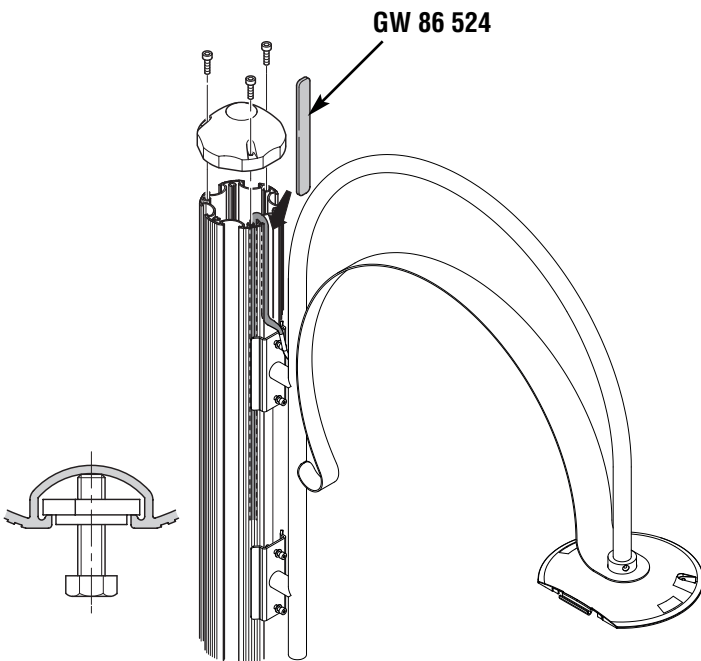
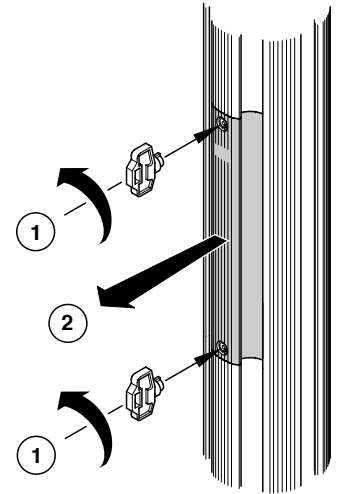
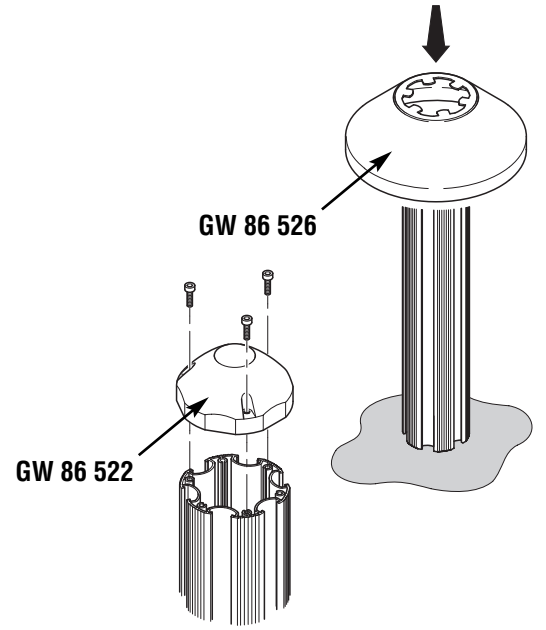
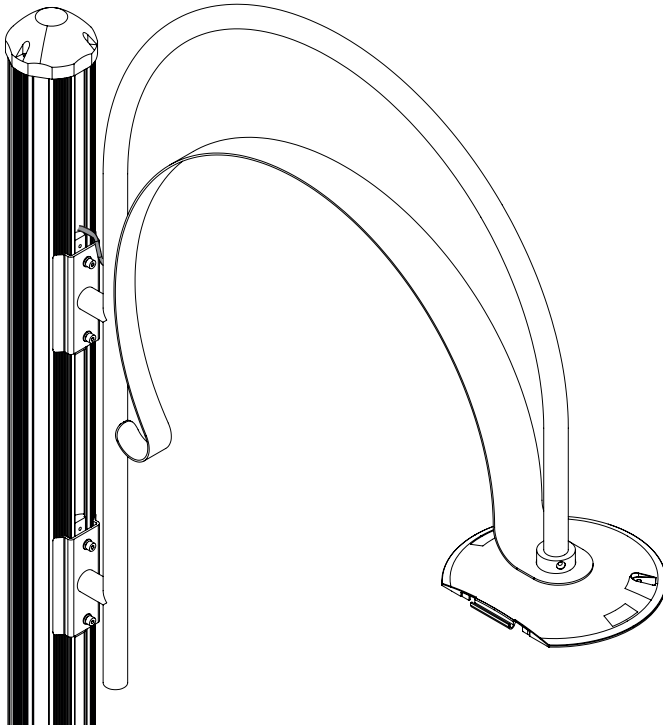


**GW87885 - GW87895**

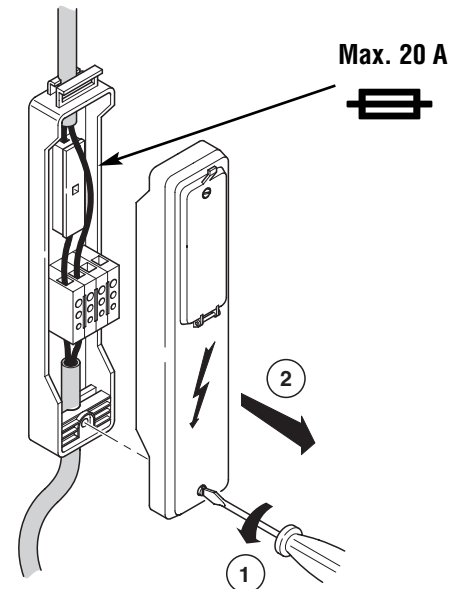


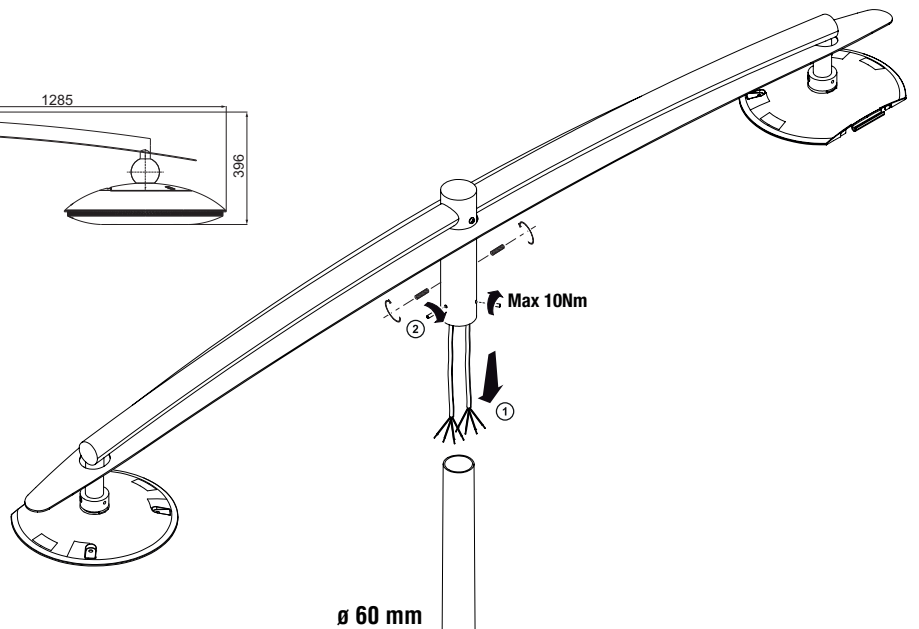
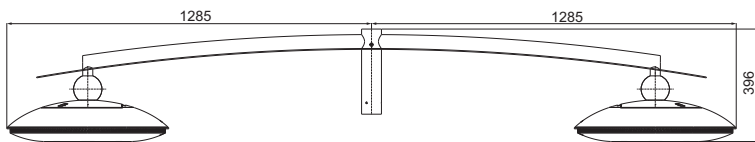
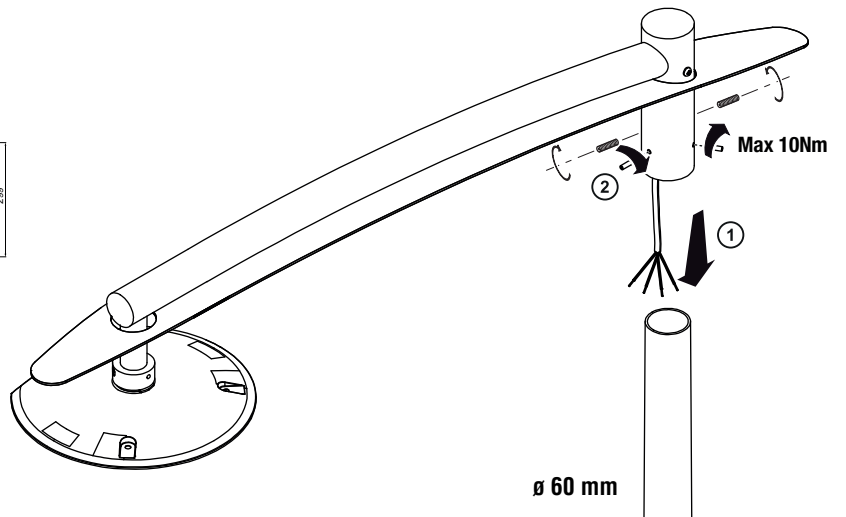
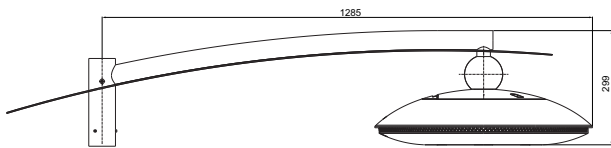
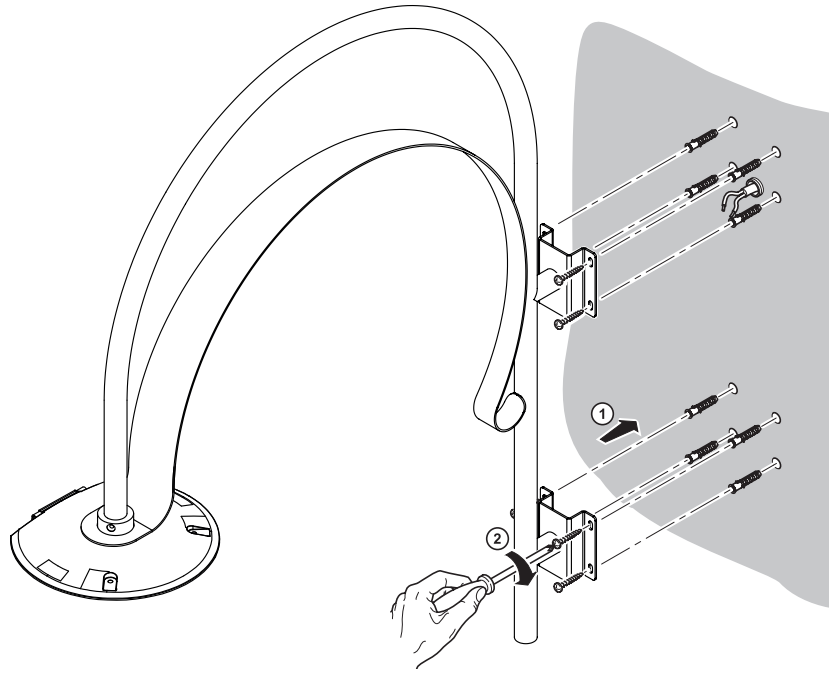
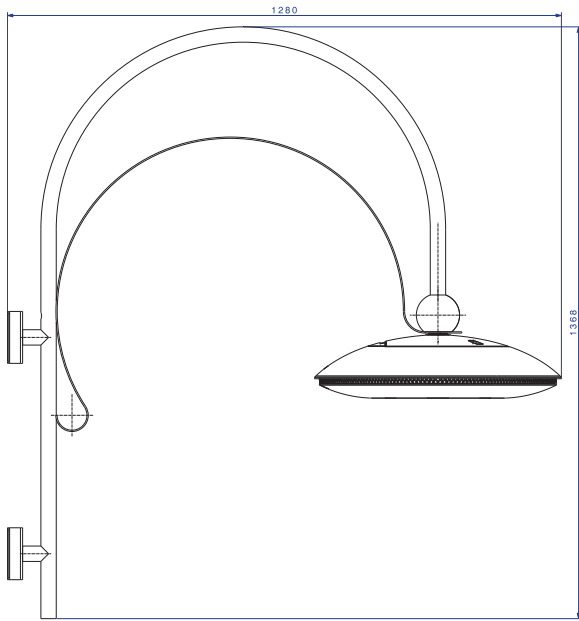
$\varnothing$  60÷76 mm

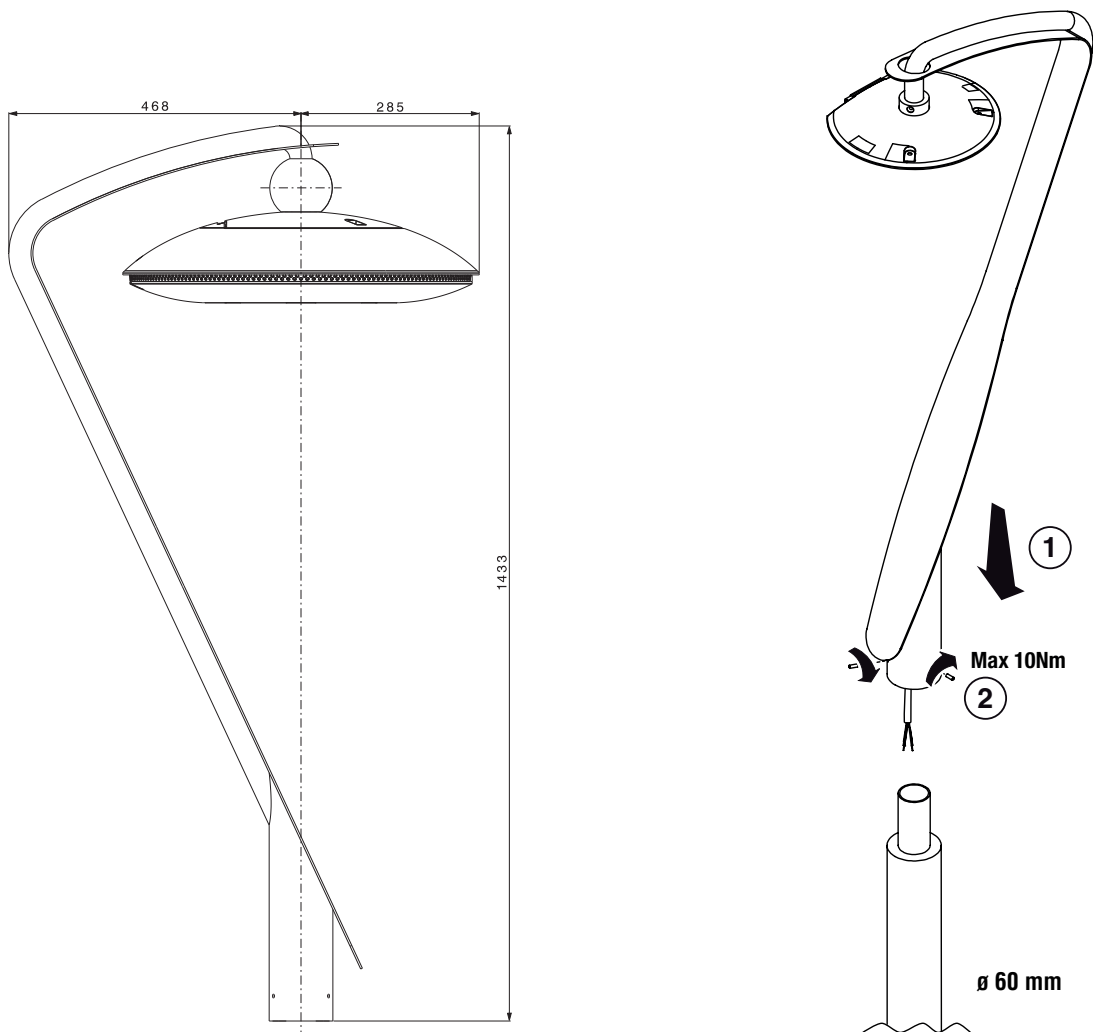
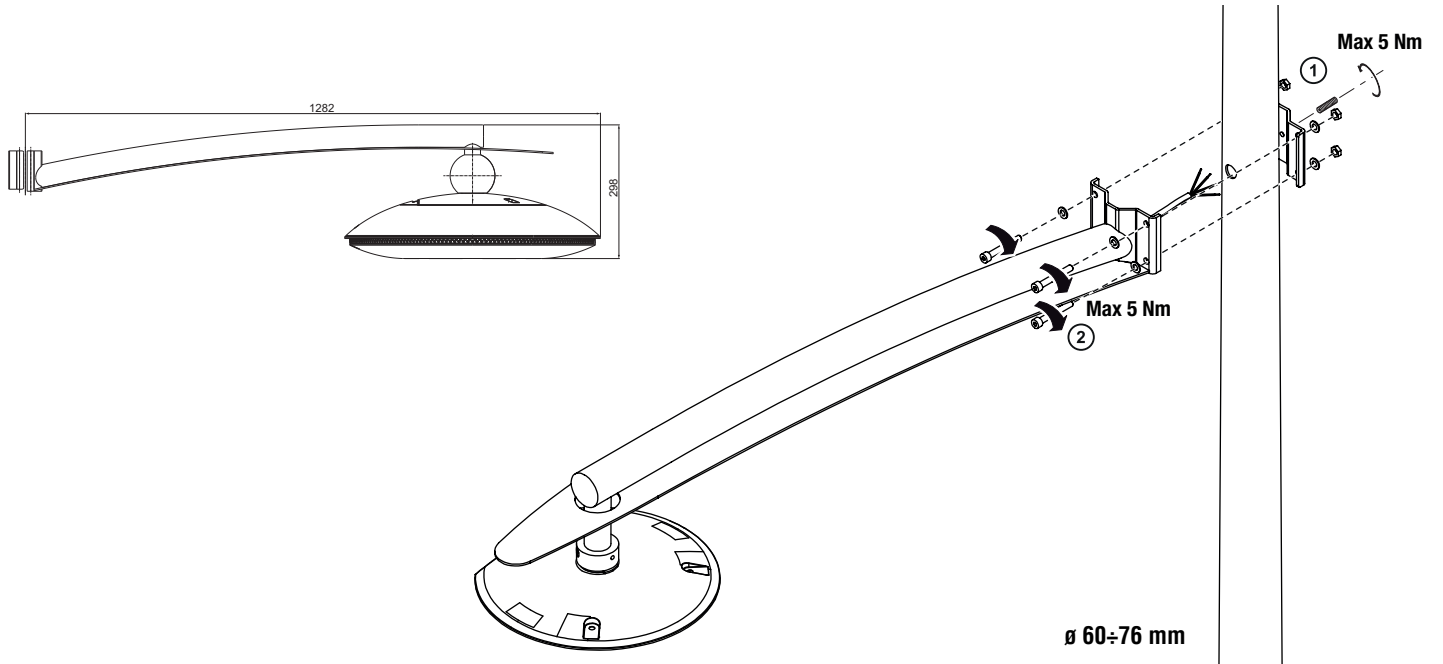


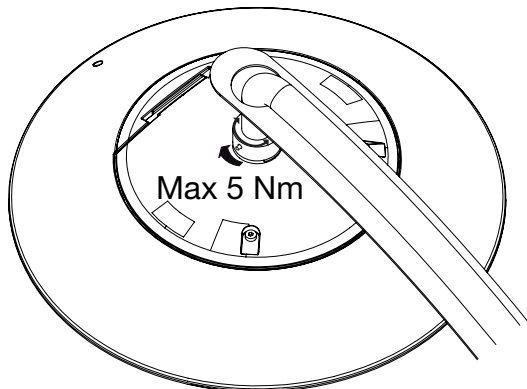
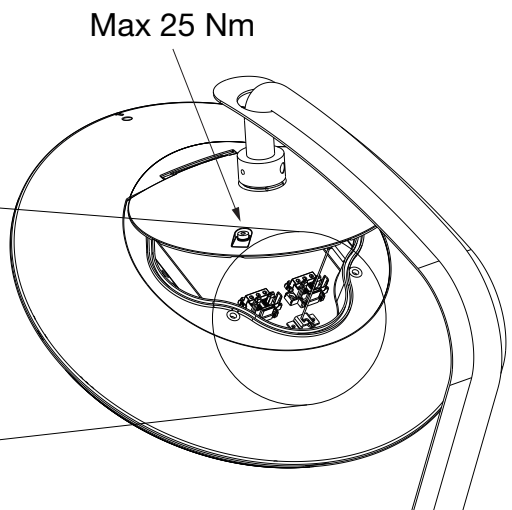
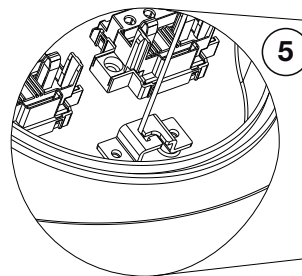
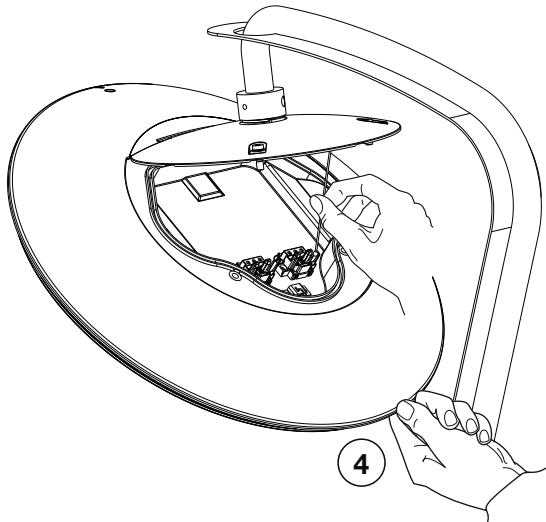
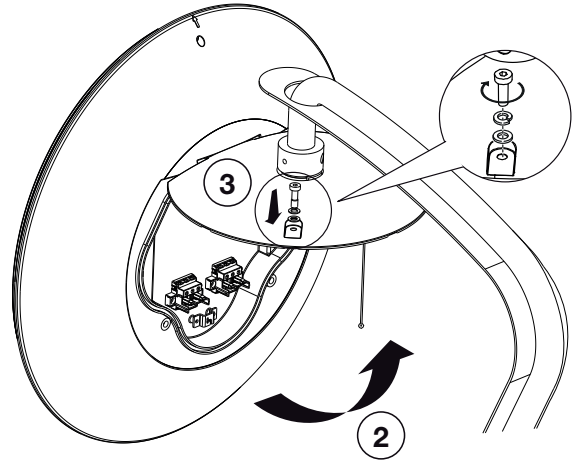
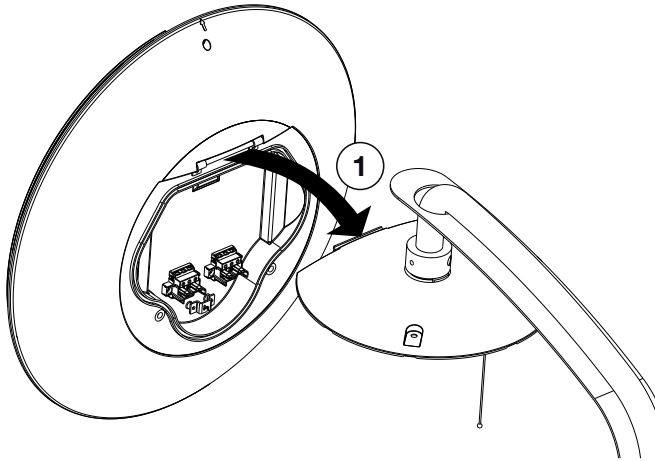


Max. 4x16 mm<sup>2</sup>  
IP44

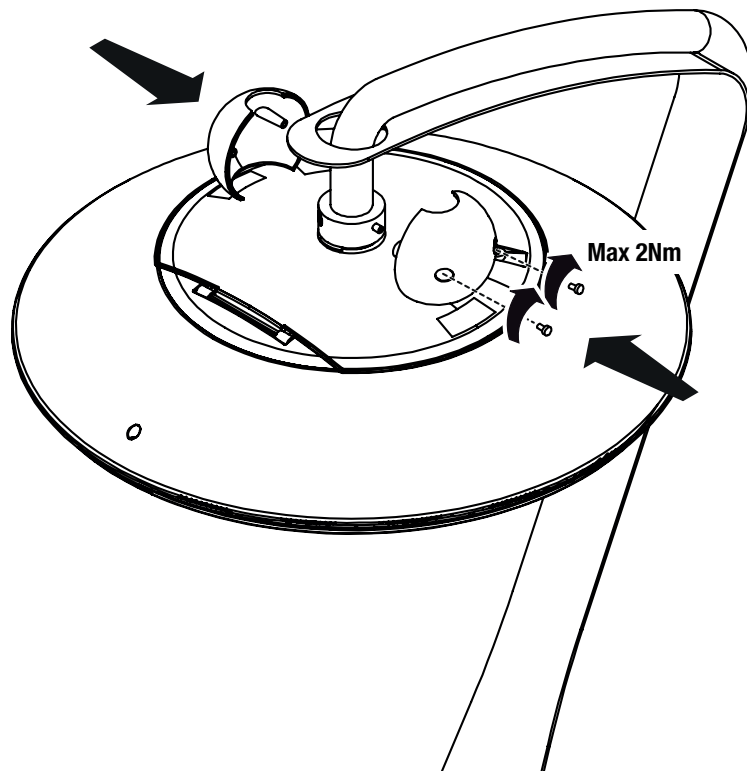
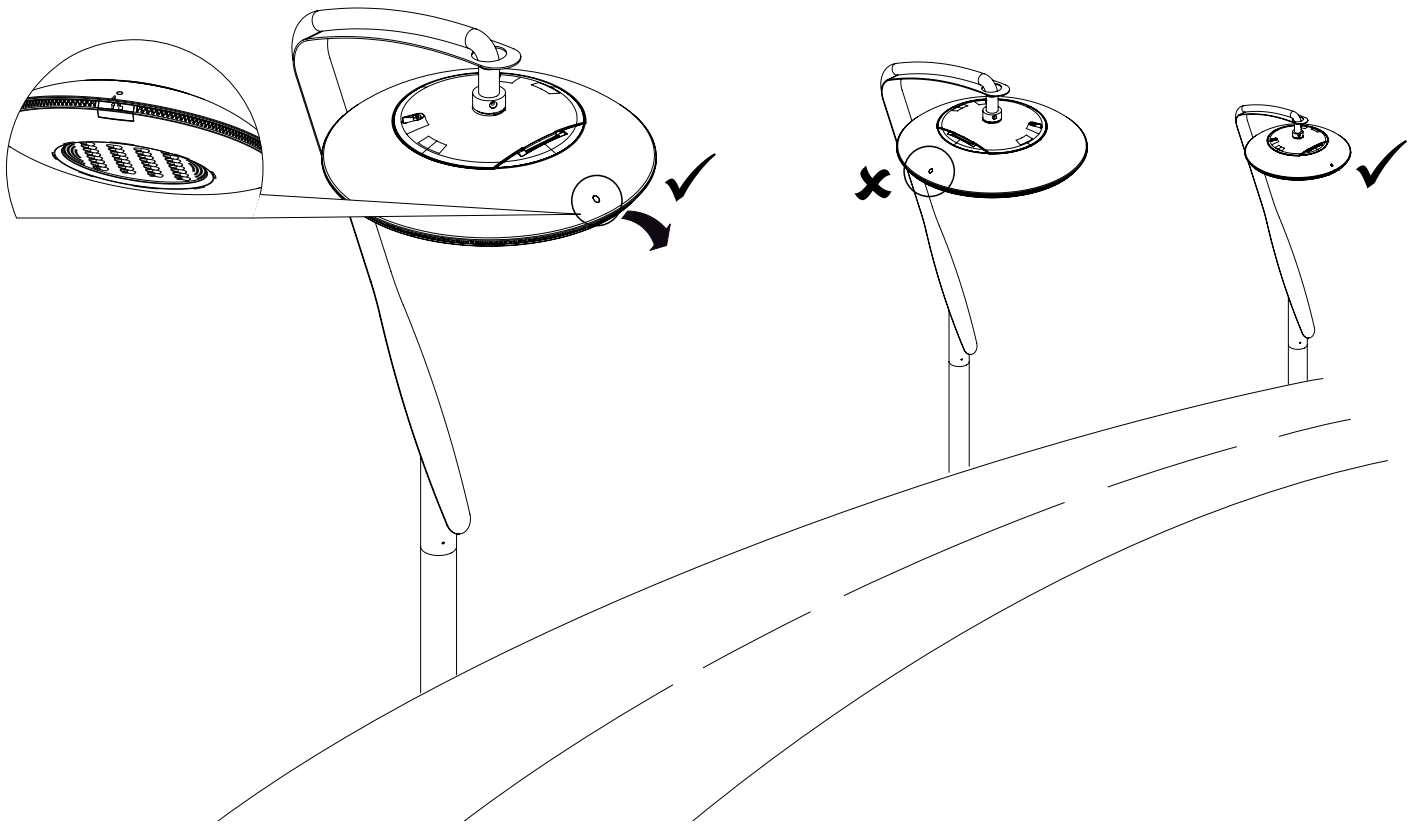


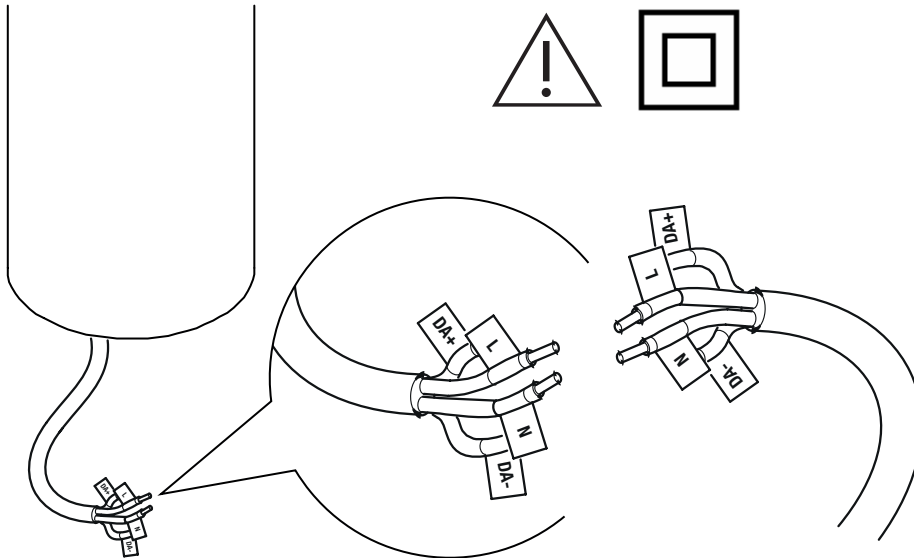










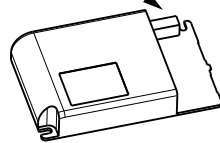


L  
N  
DA + = DALI (+)  
DA - = DALI (-)



### URBAN [O<sub>3</sub>] 1x16 LED - 350 mA < I < 700 mA

	6	5	4	3	2	1
OFF	<input type="checkbox"/>	<input type="checkbox"/>	<input type="checkbox"/>	<input type="checkbox"/>	<input type="checkbox"/>	<input type="checkbox"/>
ON	<input checked="" type="checkbox"/>	<input checked="" type="checkbox"/>	<input checked="" type="checkbox"/>	<input checked="" type="checkbox"/>	<input checked="" type="checkbox"/>	<input checked="" type="checkbox"/>
SEC	6	5	4	3	2	1
350 mA	-	-	-	-	-	-
500 mA	ON	-	-	-	-	-
550 mA STANDARD	-	ON	-	-	-	-
650 mA	ON	-	-	ON	-	-
700 mA	ON	ON	-	-	-	-

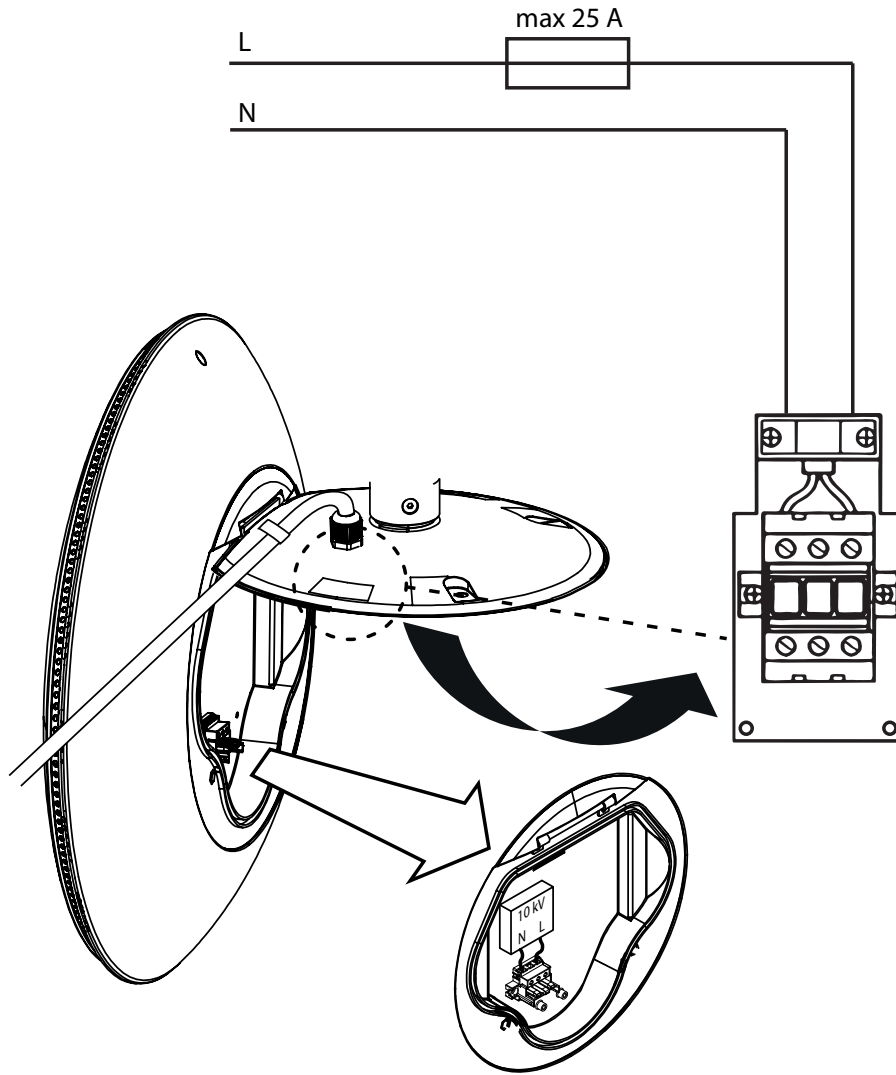


### URBAN [O<sub>3</sub>] 2x16/3x16/4x16 LED - Max 700 mA

	OFF	ON	ON	ON
ON	<input checked="" type="checkbox"/>	<input checked="" type="checkbox"/>	<input checked="" type="checkbox"/>	<input checked="" type="checkbox"/>
SEC	1	2	3	4
200 mA	-	-	-	-
250 mA	ON	-	-	-
300 mA	-	ON	-	-
350 mA	ON	ON	-	-
400 mA	-	-	ON	-
450 mA	ON	-	ON	-
500 mA	-	ON	ON	-
550 mA	ON	ON	ON	-
600 mA	-	-	-	ON
650 mA	ON	-	-	ON
700 mA	-	ON	-	ON

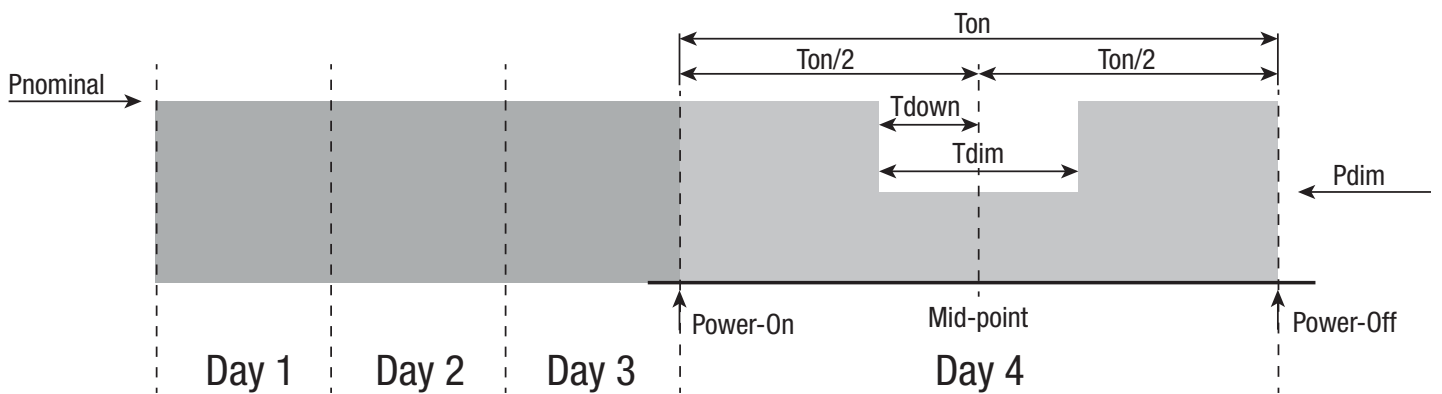


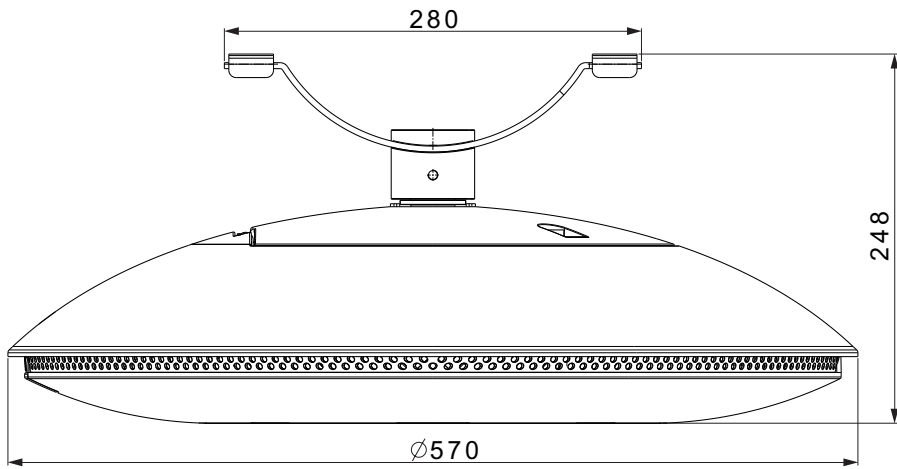
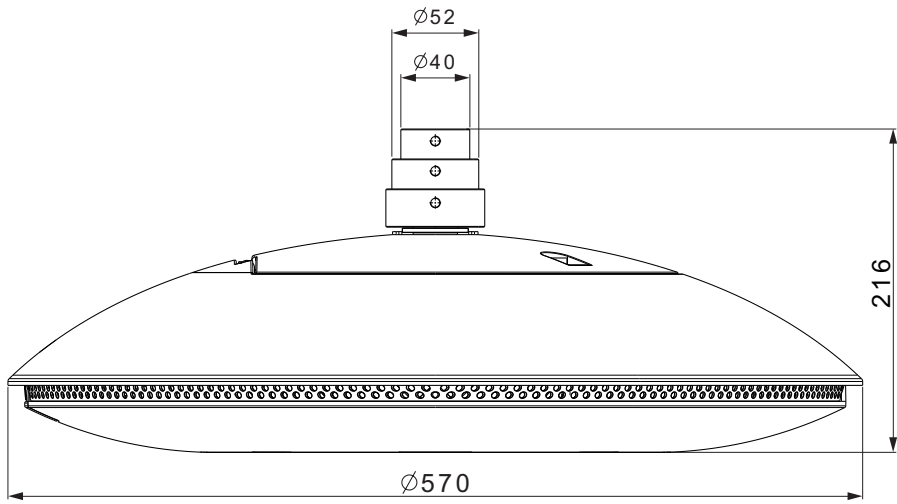
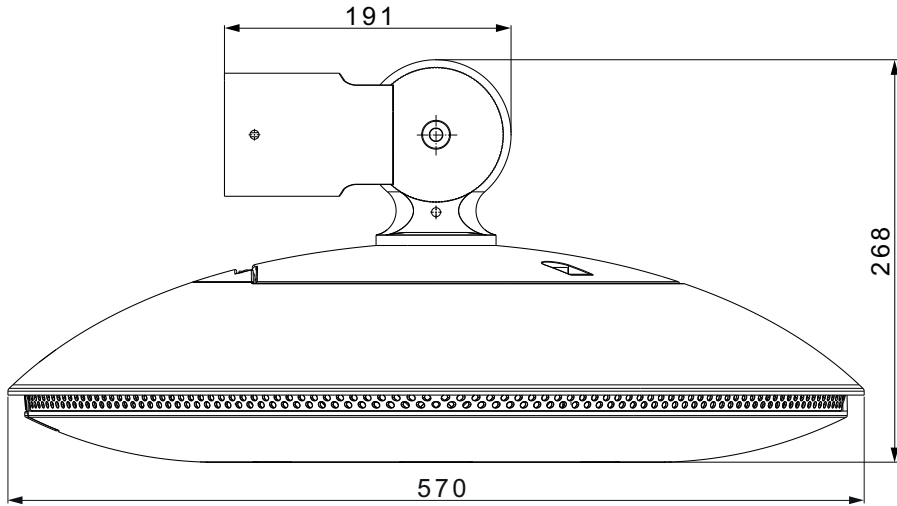
# URBAN [O<sub>3</sub>] AS06172, AS06173, AS05181



## BI-POWER

Dim level (%)	T-dim (hrs)	T-down (hrs)	After Midpoint (hrs)
50	5	1	4





Punto di contatto indicato in adempimento ai fini delle direttive e regolamenti UE applicabili:  
Contact details according to the relevant European Directives and Regulations:

GEWISS S.p.A. Via A.Volta, 1 IT-24069 Cenate Sotto (BG) Italy tel: +39 035 946 111 E-mail: [qualitymarks@gewiss.com](mailto:qualitymarks@gewiss.com)



+39 035 946 111  
8.30 - 12.30 / 14.00 - 18.00  
lunedì ÷ venerdì - monday ÷ friday



+39 035 946 260



[sat@gewiss.com](mailto:sat@gewiss.com)  
[www.gewiss.com](http://www.gewiss.com)