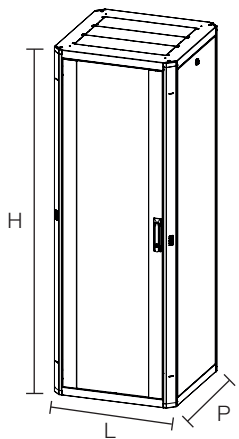
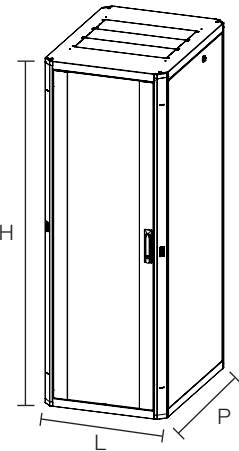





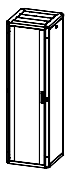


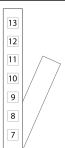



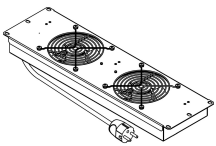
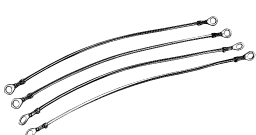

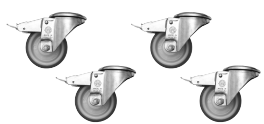
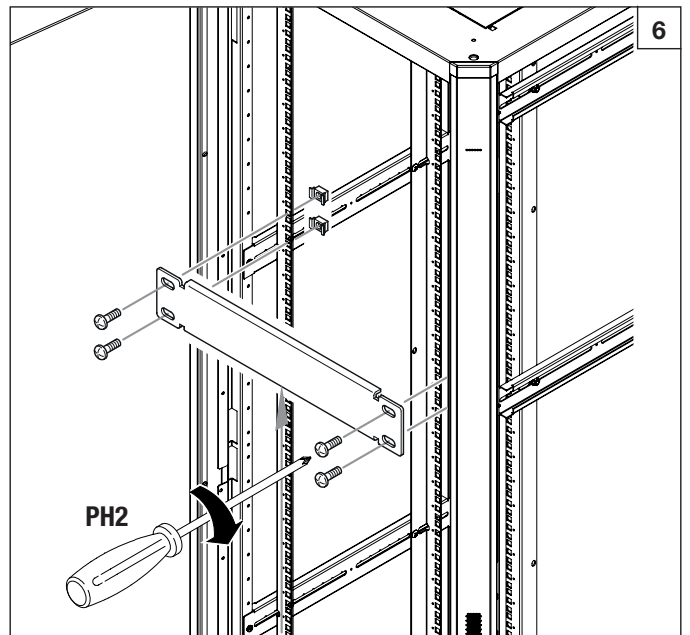
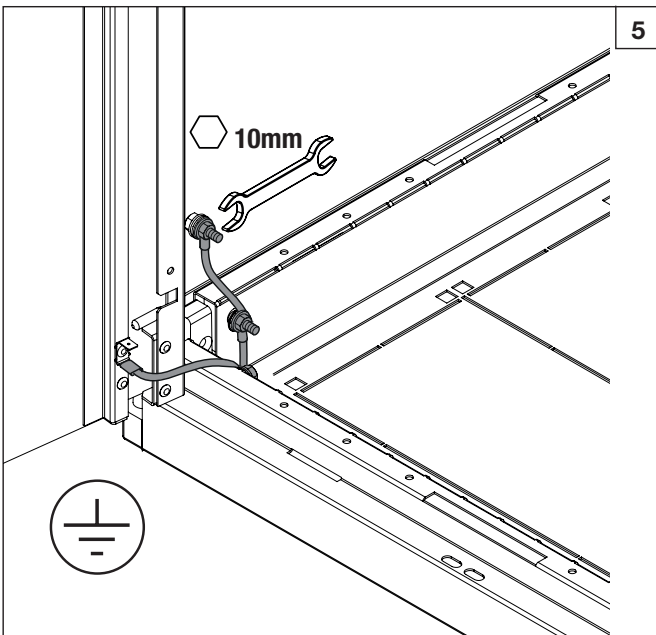
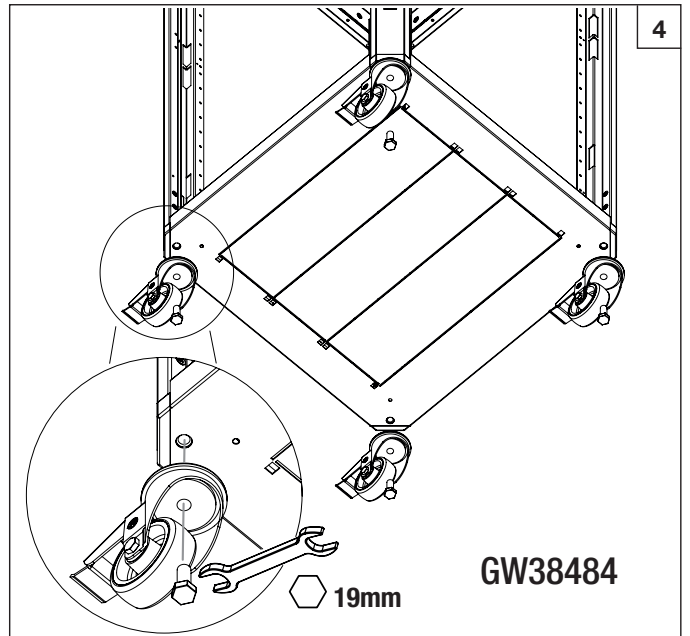
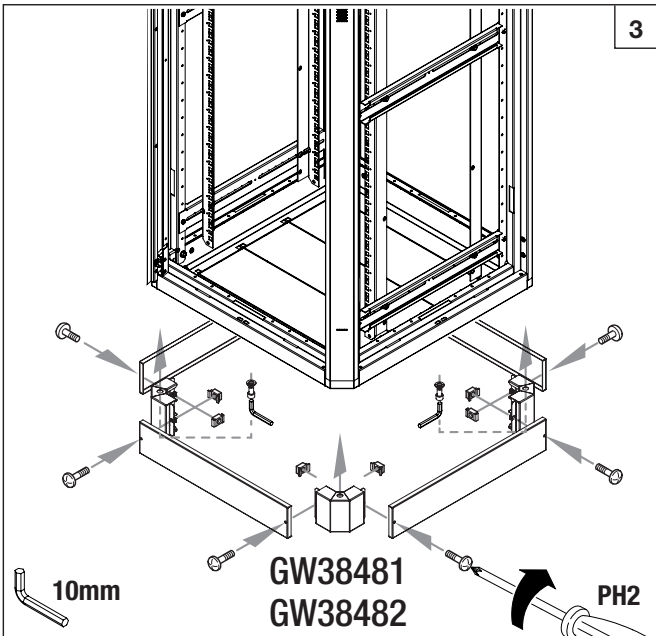
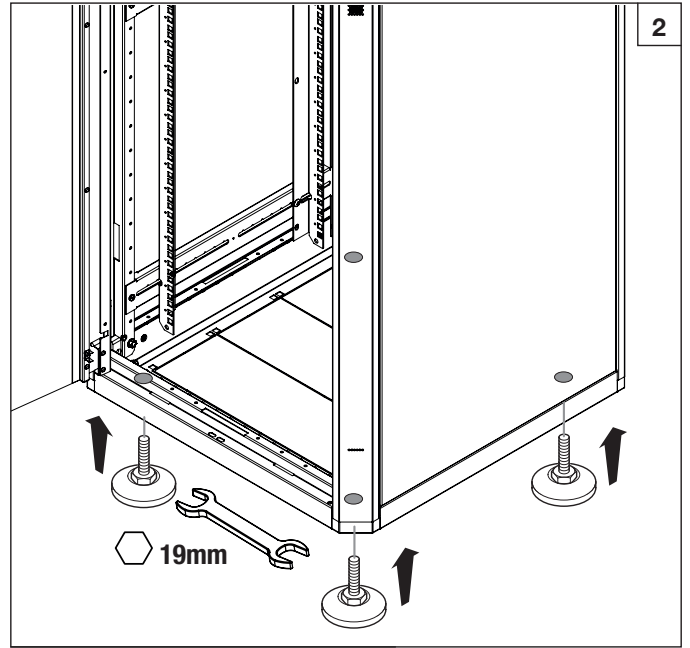
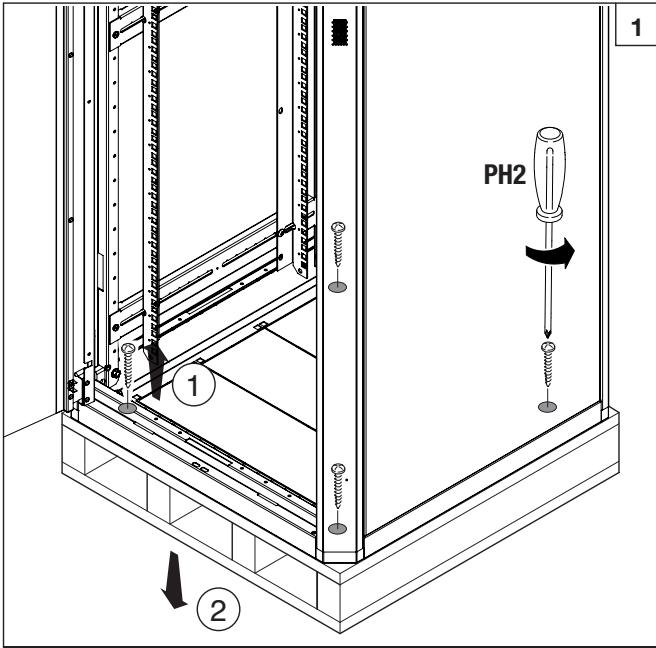
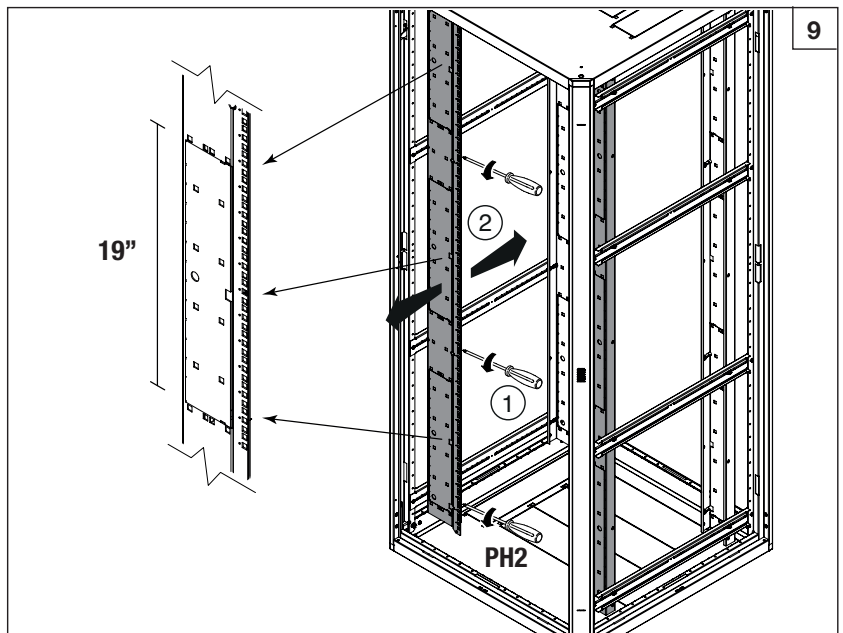
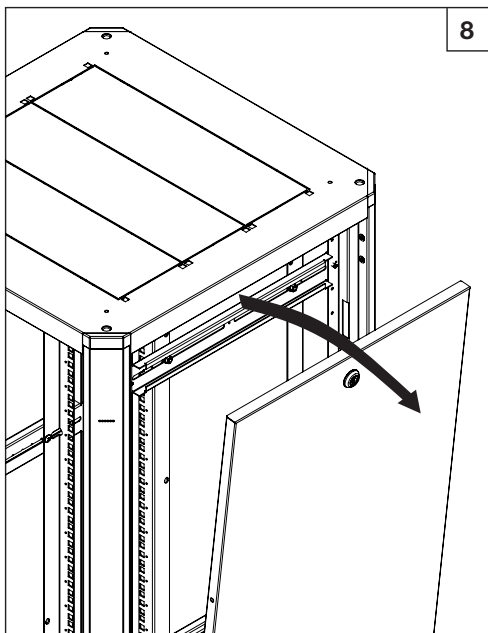
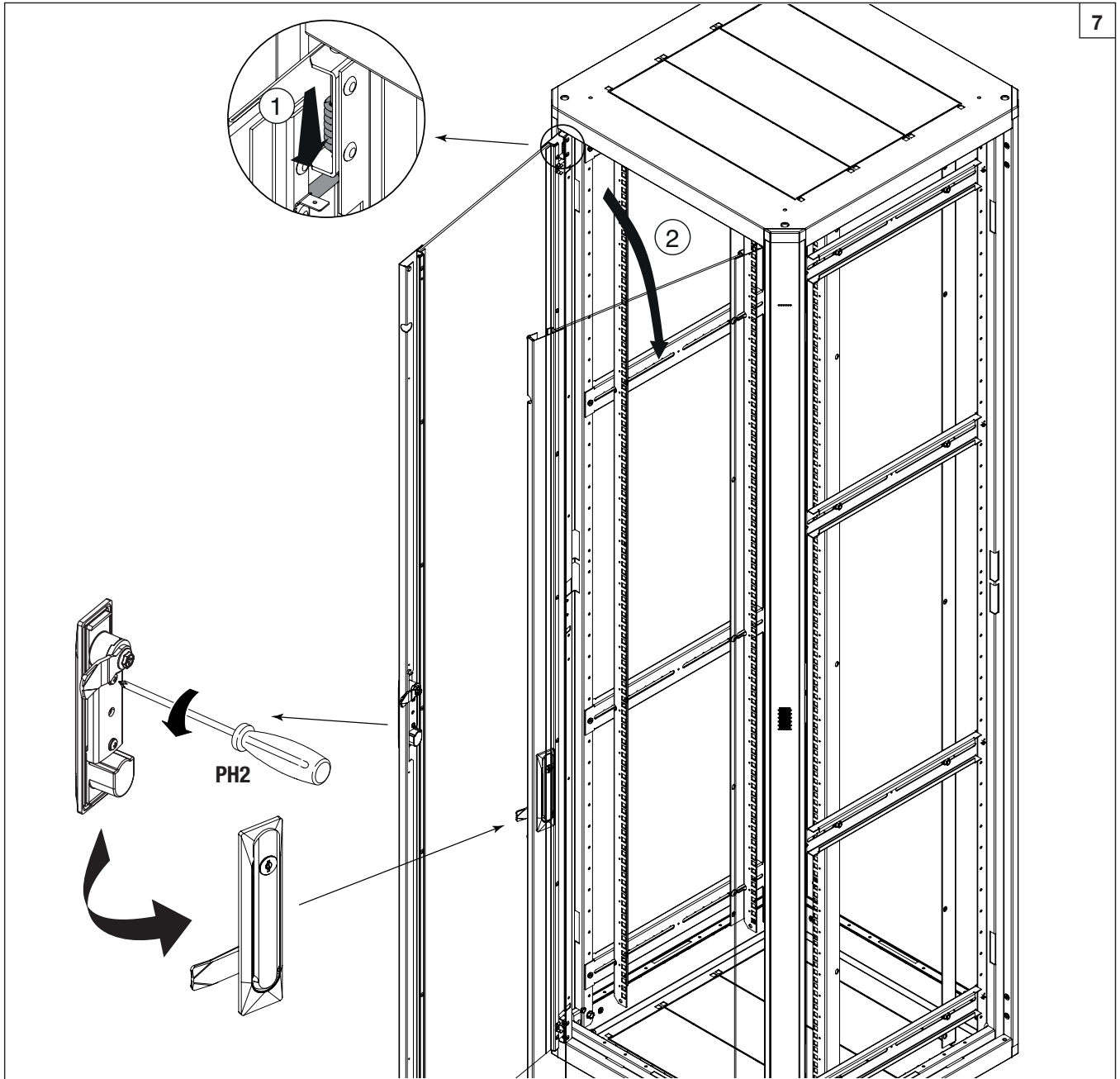


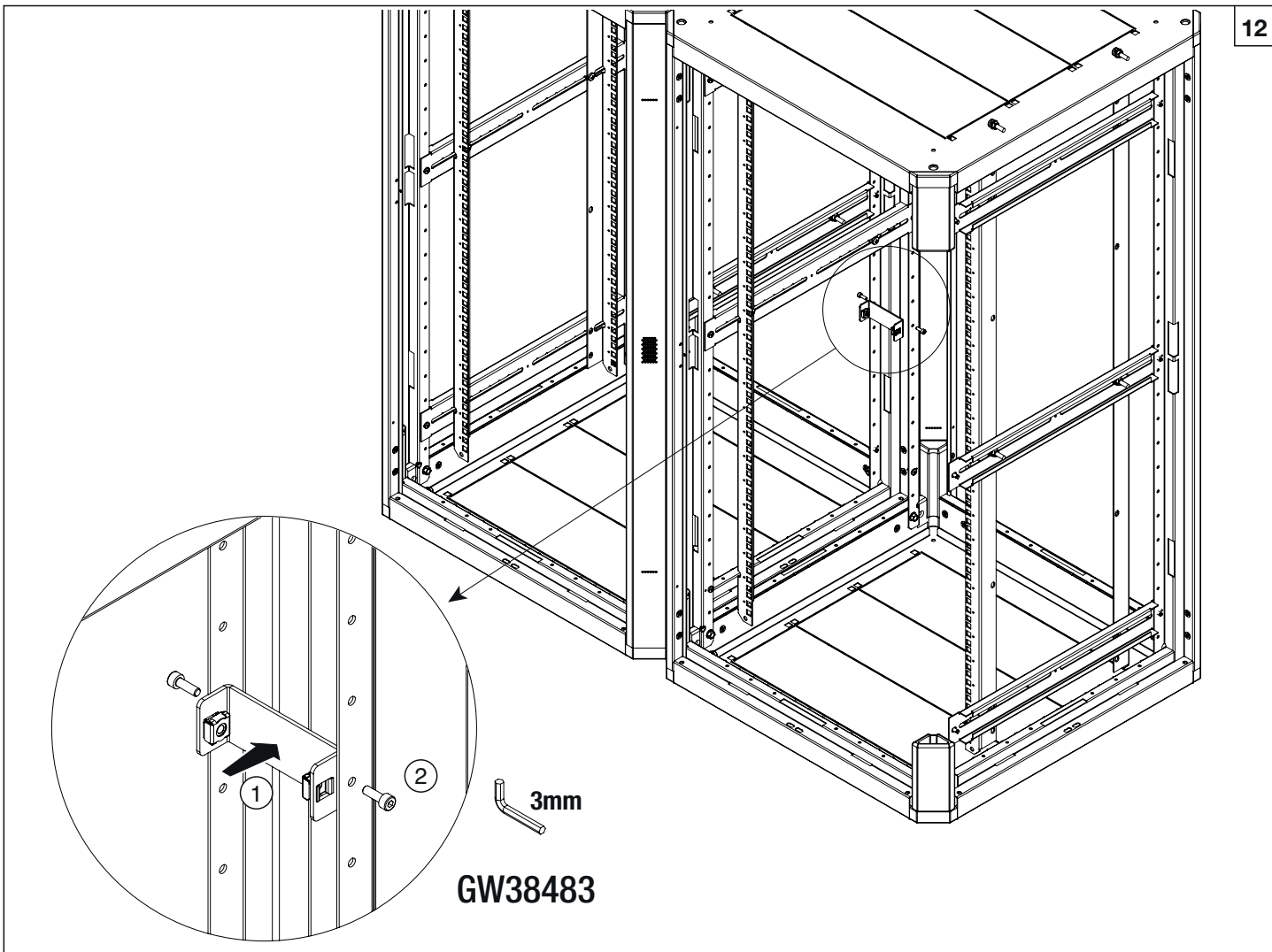
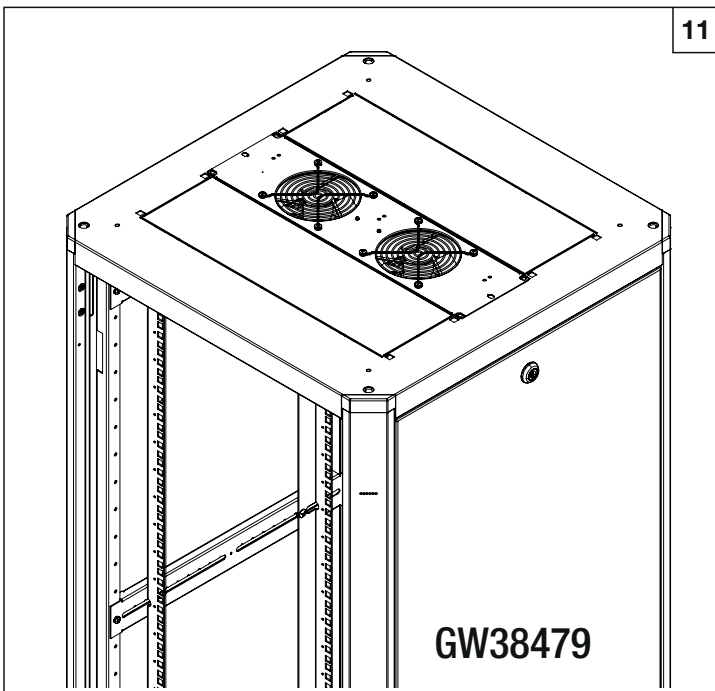
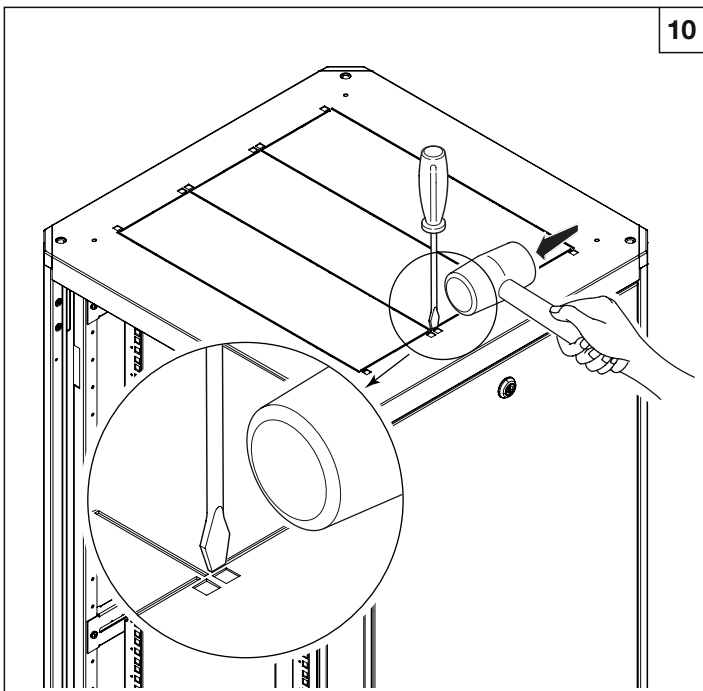
LxP: 800x800mm - 19"	LxP: 800x1000mm - 19"
 <p>GW38461: H 1200mm (24U) GW38462: H 1500mm (30U) GW38463: H 2000mm (42U)</p>	 <p>GW38464: H 2000mm (42U)</p>

	 <p>1000 Kg</p>
	 <p>1000 Kg</p>
	 <p>360 Kg</p>

				
	GW 38 472	GW 38 461 GW 38 462 GW 38 463 GW 38 464		GW 38 481 800x800mm GW 38 461 GW 38 462 GW 38 463
	GW 38 473			GW 38 482 800x1000mm GW 38 464
	GW 38 477			GW 38 557 GW 38 461 GW 38 462
	GW 38 479			GW 38 558 GW 38 463 GW 38 464
	GW 38 483			
	GW 38 484			







Punto di contatto indicato in adempimento ai fini delle direttive e regolamenti UE applicabili:
 Contact details according to the relevant European Directives and Regulations:

GEWISS S.p.A. Via A.Volta, 1 IT-24069 Cenate Sotto (BG) Italy tel: +39 035 946 111 E-mail: qualitymarks@gewiss.com



+39 035 946 111
 8.30 - 12.30 / 14.00 - 18.00
 lunedì - venerdì - monday - friday



+39 035 946 260



sat@gewiss.com
 www.gewiss.com