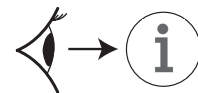
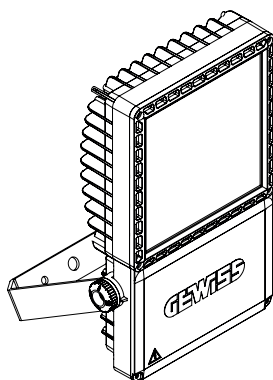


SMART PRO 2.0 CL II

GEWISS



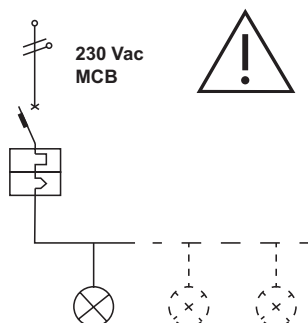
	DIMMING				V
	DALI	5,7	0,038 m ²	0,085 m ²	220-240 V 50/60 Hz



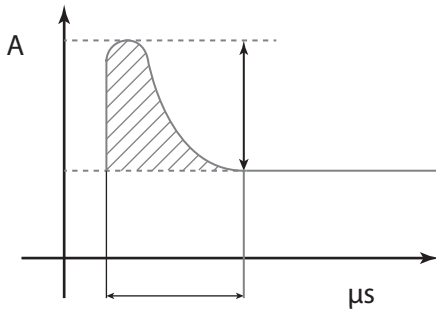
LED CCT	≤ 5700 K	
Optics	RG1	
S1	10 m	
S2	10 m	
A1	10 m	
A3	12,5 m	
C4	11 m	
C3	11 m	
C2	11 m	
C1	11 m	

T [°C]	Flux Factor DALI version	I ± 5%	W ± 5%
25	1	0,7 A	165
30	1	0,7 A	165
35	1	0,7 A	165
40	1	0,7 A	165
45	0,9	0,63 A	148
50	0,8	0,56 A	132

Flux Factor = Flux (T) / Flux (T=25°C)



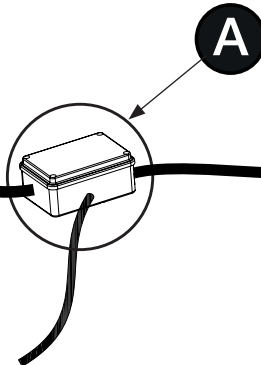
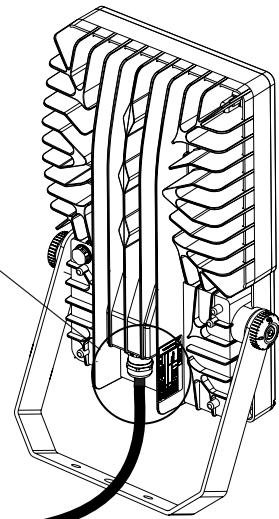
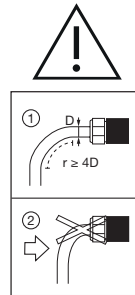
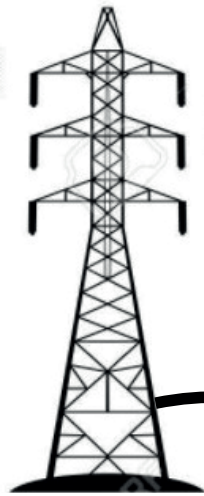
MCB Type B:	10A	16A	20A
	-	1	2
MCB Type C:	10A	16A	20A
	1	3	5
MCB Type D:	10A	16A	20A
	4	8	12



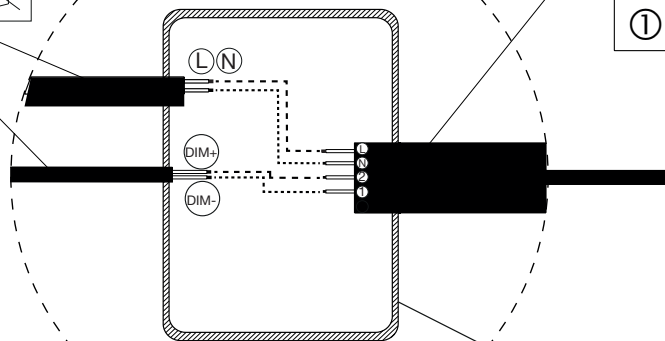
	I _{LED} (mA)	DIMMING	LED driver inrush current peak and width
LED	Max. 700	DALI	58A / 340 µs



DIMMING DALI

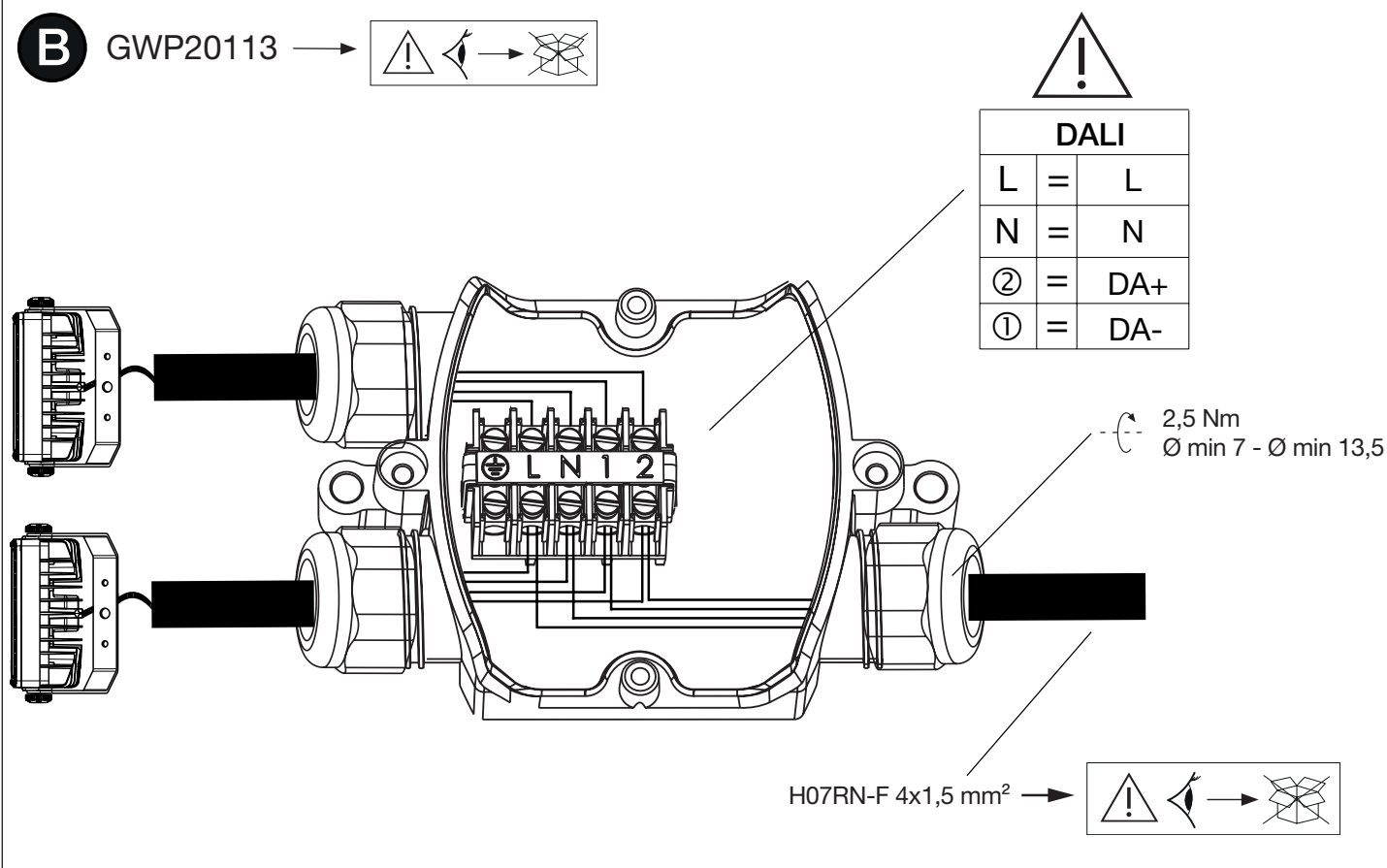
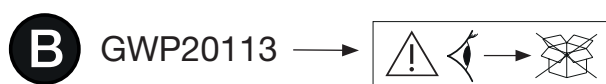
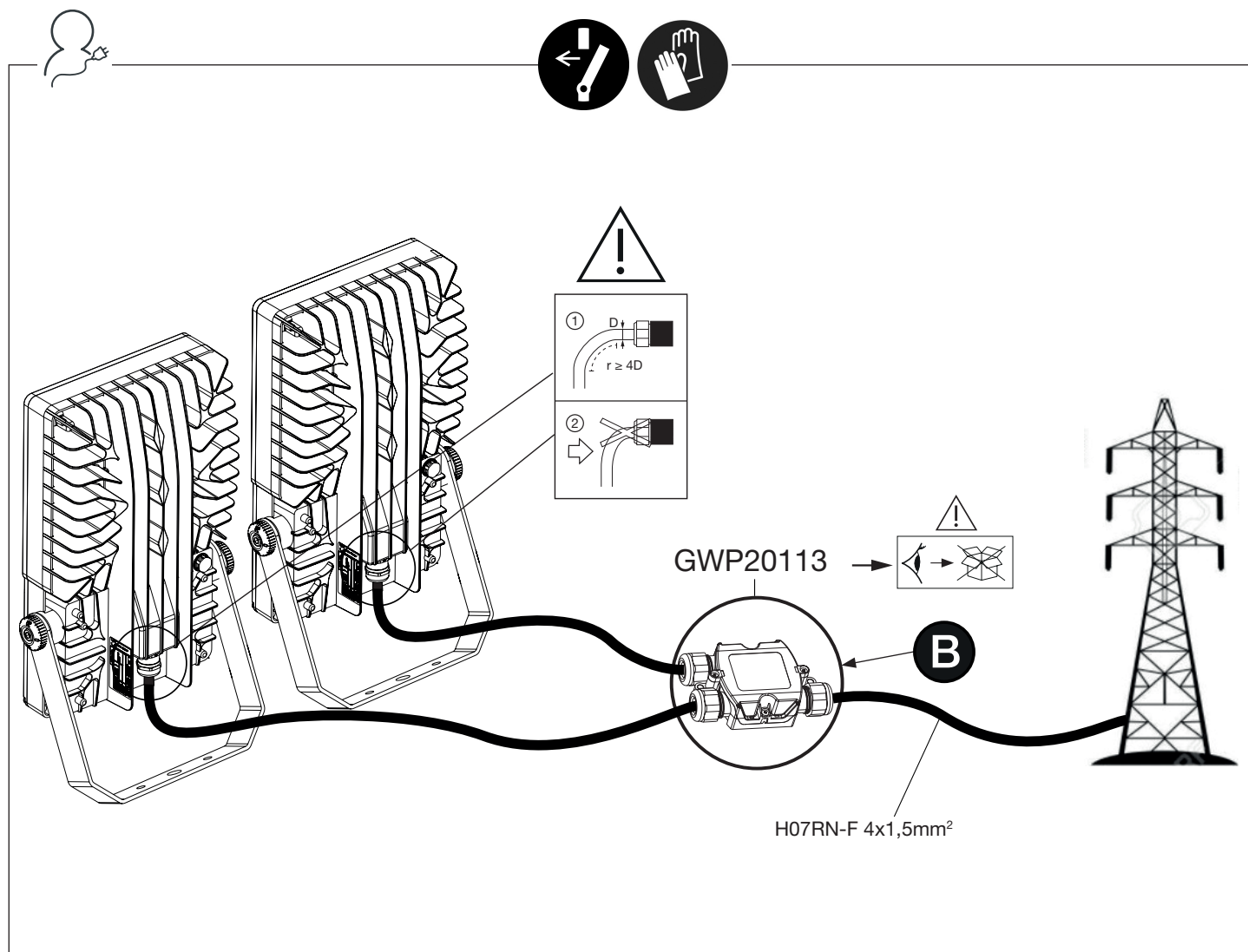


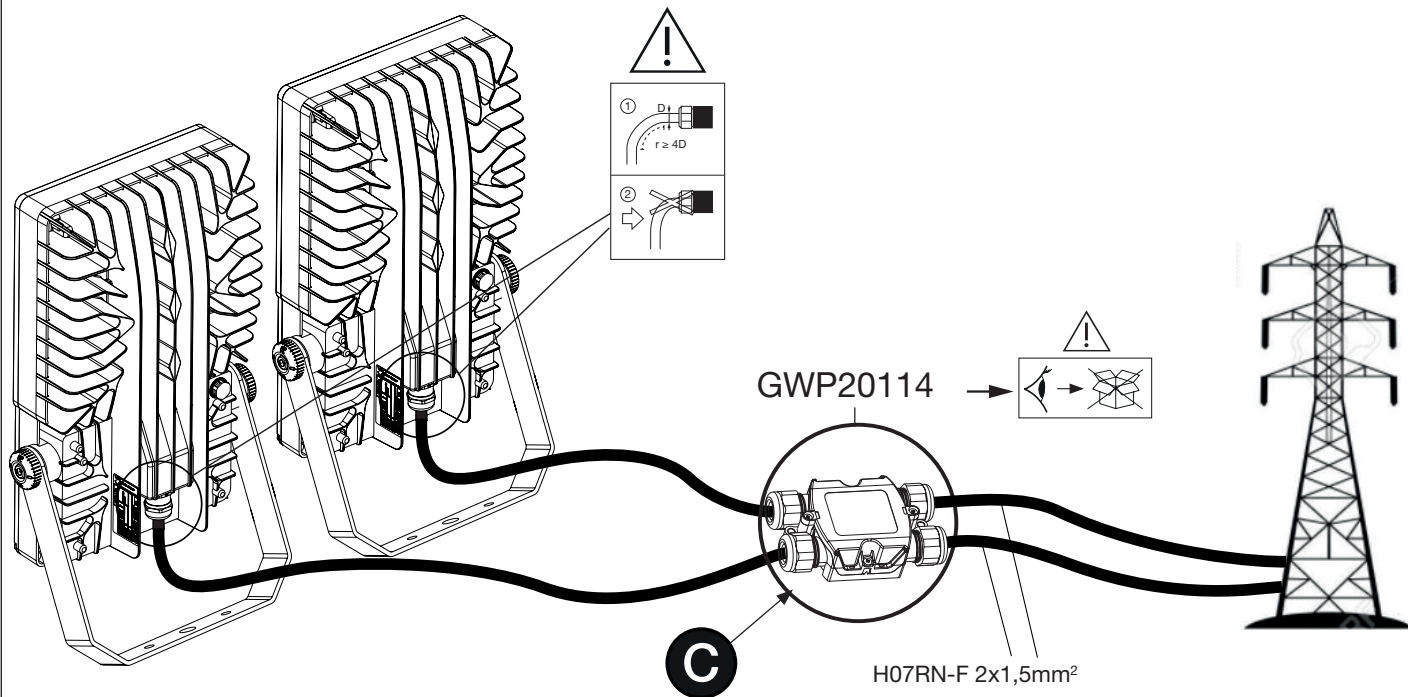
A



DALI		
L	=	L
N	=	N
②	=	DA+
①	=	DA-





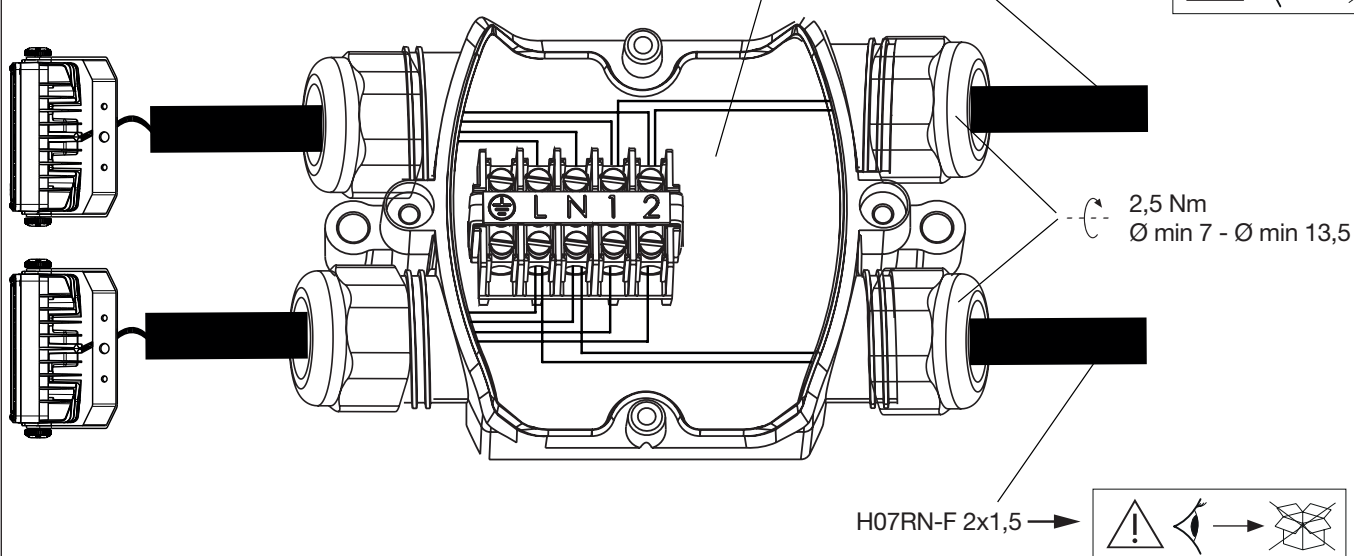


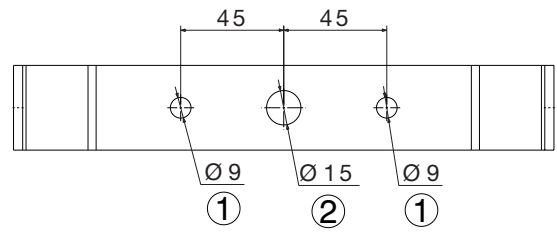
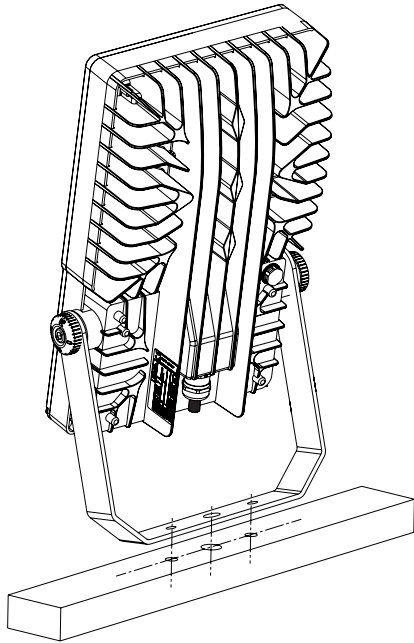
C GWP20114 →

DALI		
L	=	L
N	=	N
②	=	DA+
①	=	DA-

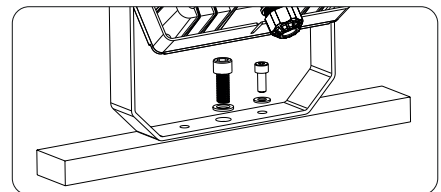
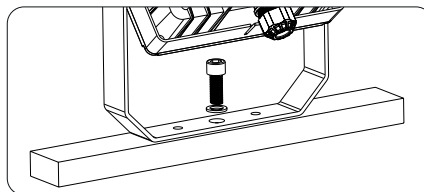
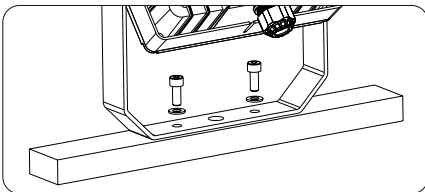
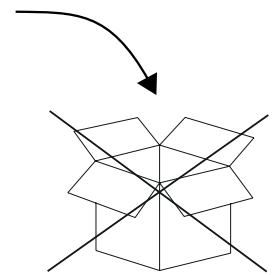


H07RN-F 2x1,5 →

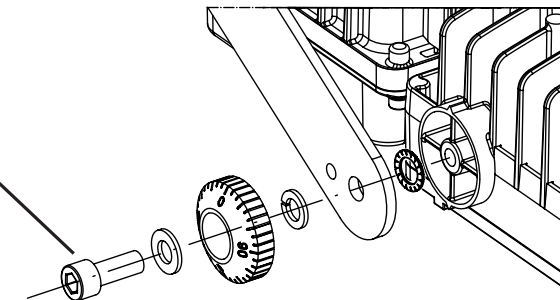


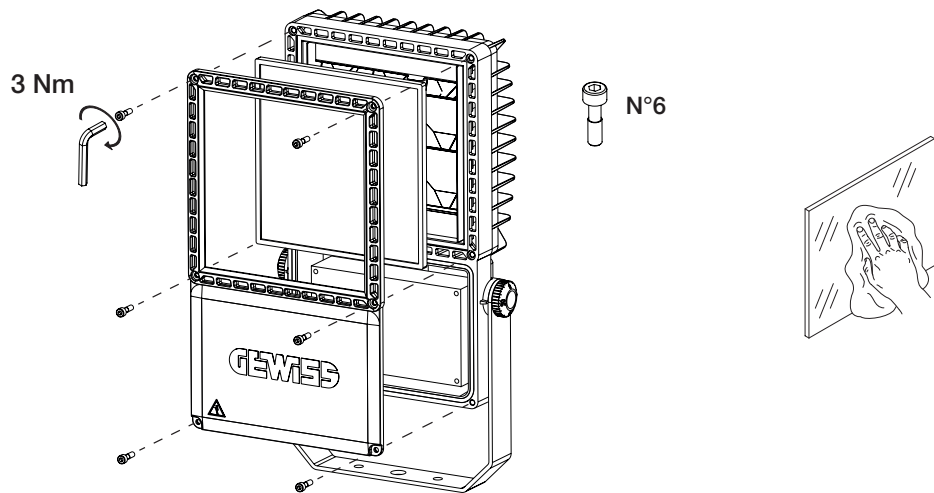
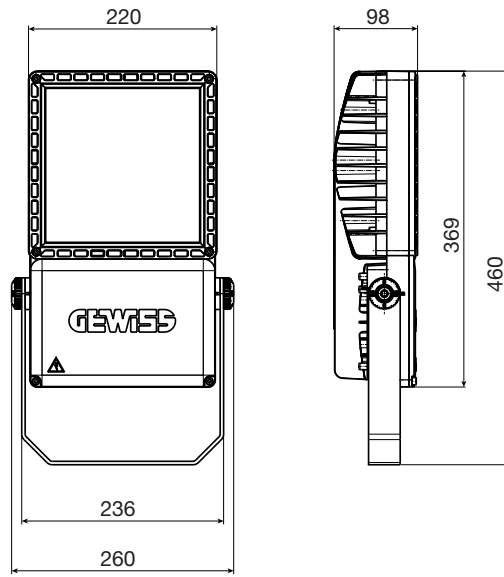


- | | | |
|---|--|---------|
| ① | | M8 |
| | | DIN7980 |
| ② | | M14 |
| | | DIN7980 |

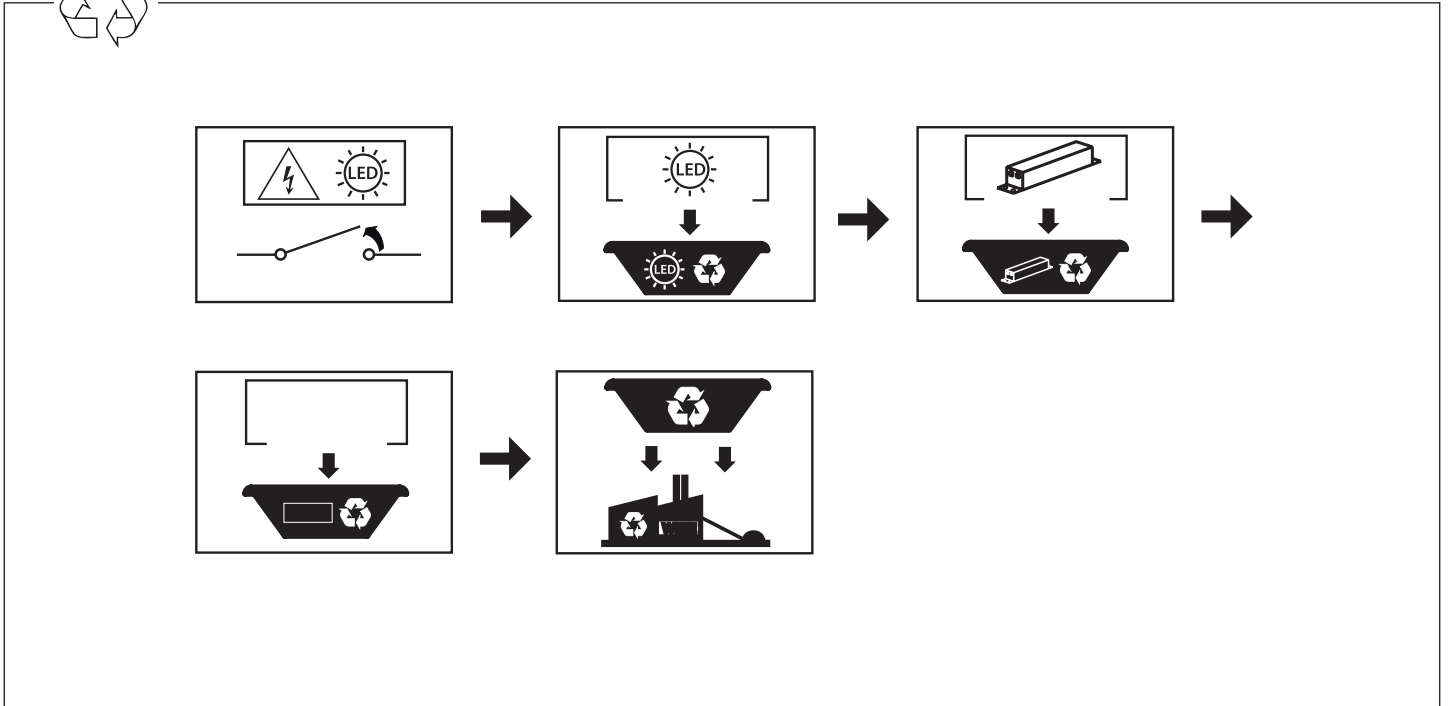


20 Nm





	OPTICS						
	S1	S2	C1	C2	C3	A1	A3
GWP2903	✓	✓	✓	✓	✓		
GWP20404						✓	✓



Punto di contatto indicato in adempimento ai fini delle direttive e regolamenti UE applicabili:
Contact details according to the relevant European Directives and Regulations:
GEWISS S.p.A. Via D.Bosatelli, 1 IT-24069 Cenate Sotto (BG) Italy tel: +39 035 946 111 E-mail: qualitymarks@gewiss.com

According to applicable UK regulations, the company responsible for placing the goods in UK market is:
GEWISS UK LTD - Unity House, Compass Point Business Park, 9 Stocks Bridge Way, ST IVES
Cambridgeshire, PE27 5JL, United Kingdom tel: +44 1954 712757 E-mail: gewiss-uk@gewiss.com



+39 035 946 111
8:30 - 12:30 / 14:00 - 18:00
lunedì - venerdì / monday - friday



www.gewiss.com

