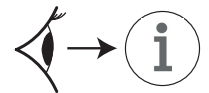


SMART [3] PLUS

GEWISS



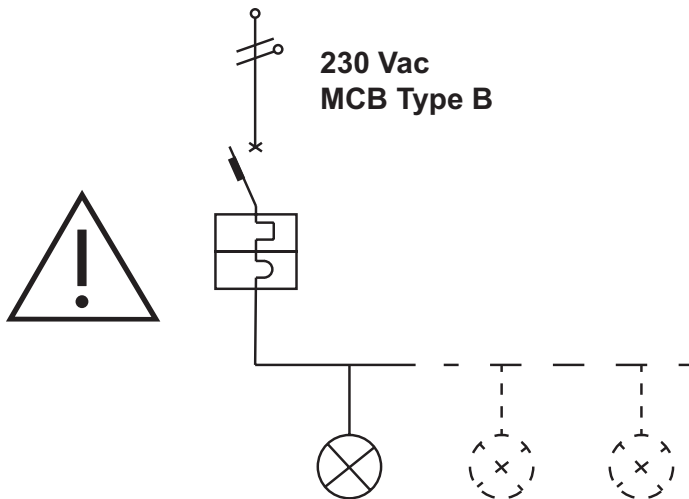
UK
CA

IP66
IP69

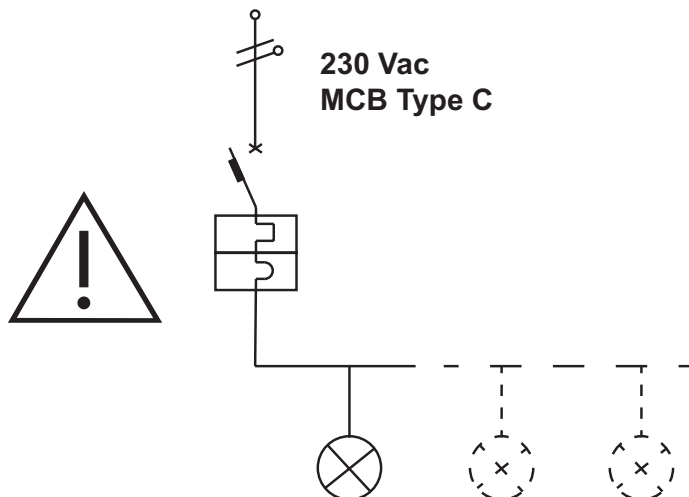


+50°C
-25°C

$t_a + 50^\circ\text{C}$



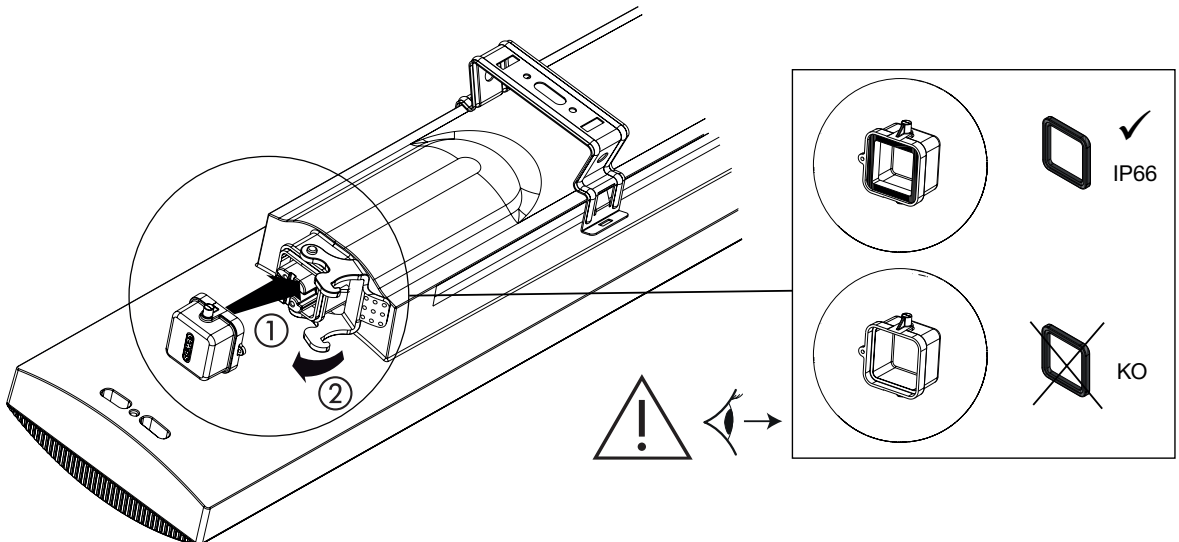
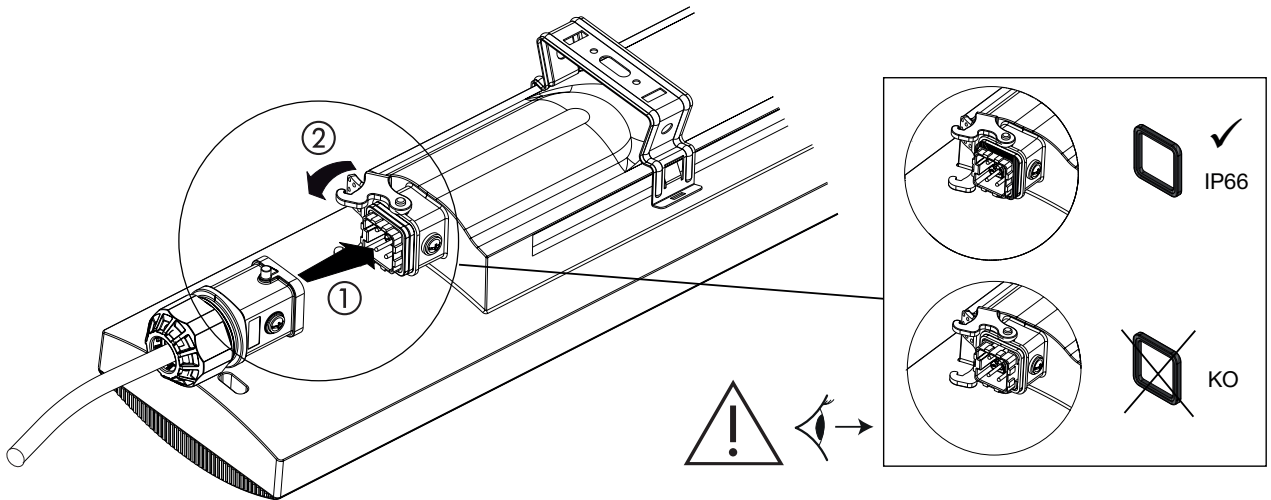
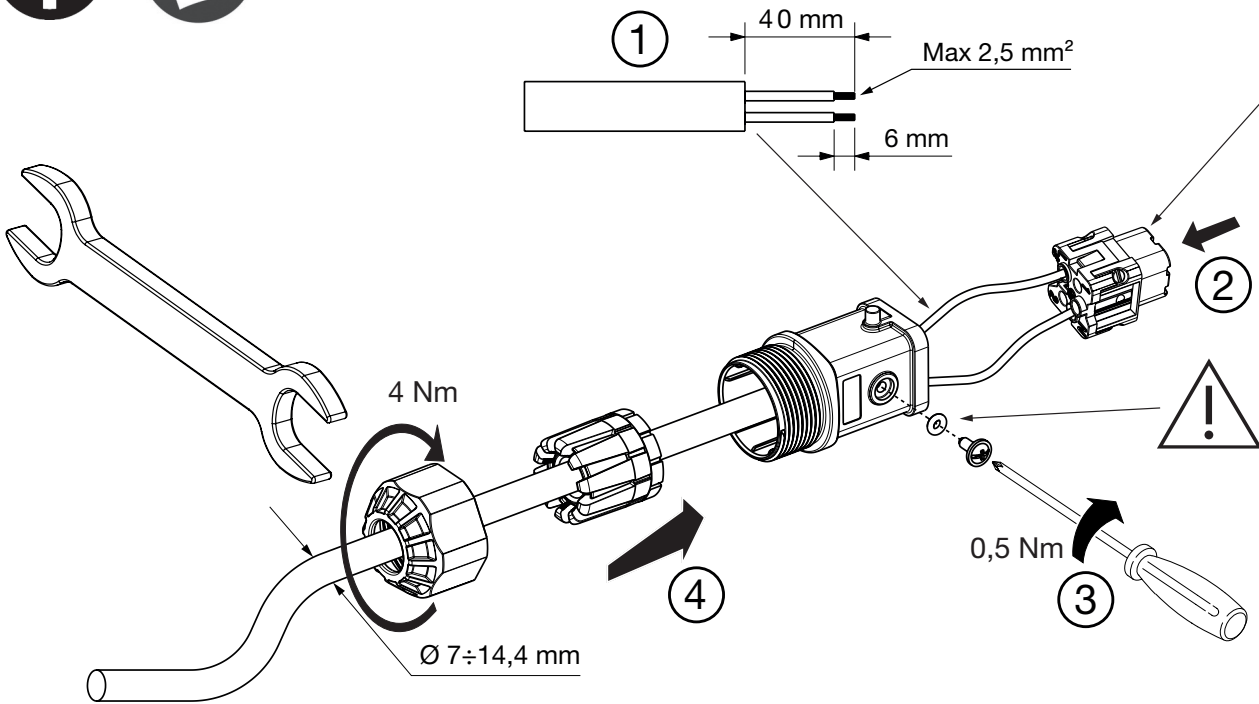
MCB current	10 A	16 A	20 A
max no. SMART [3]	18	30	37

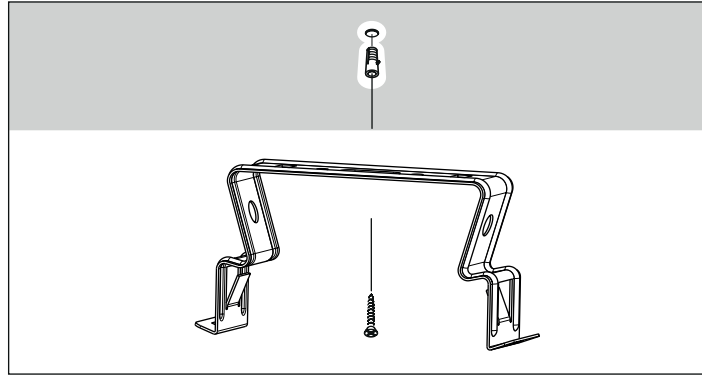


MCB current	10 A	16 A	20 A
max no. SMART [3]	31	51	62

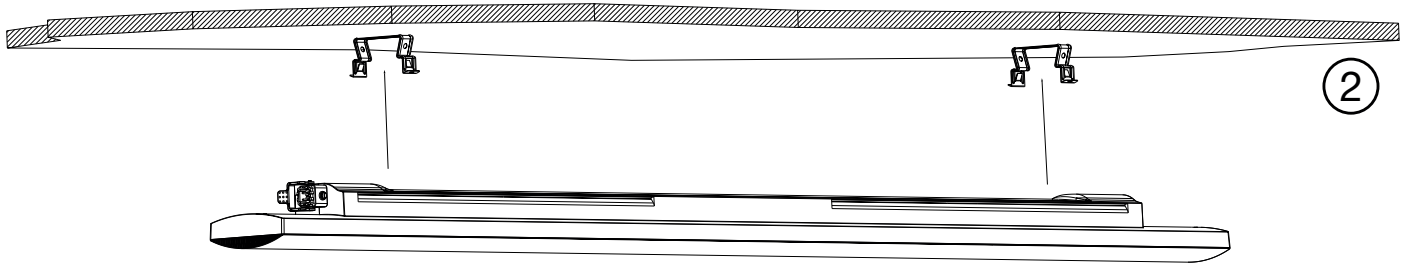


L	=	L
N	=	N

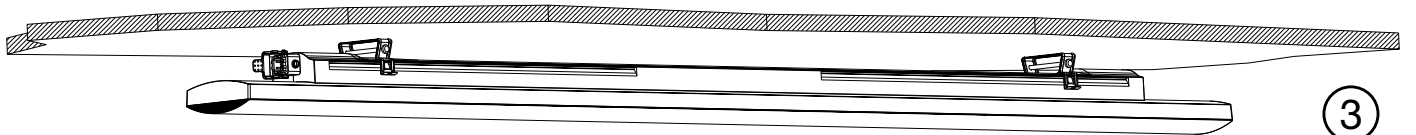




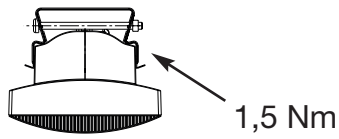
1



2

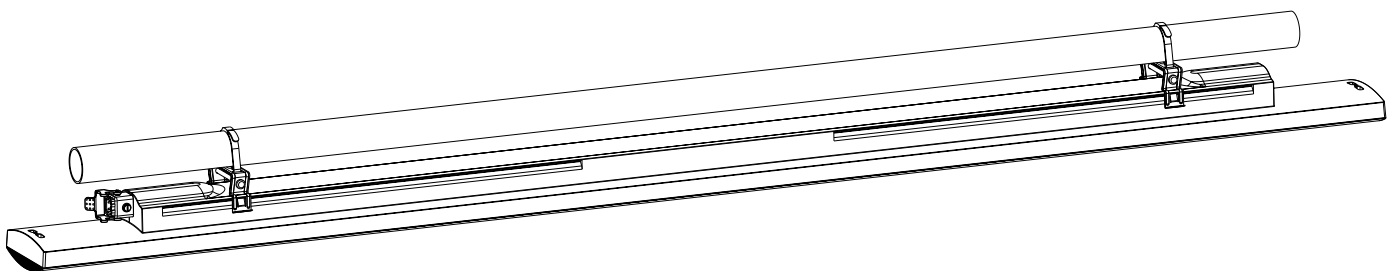
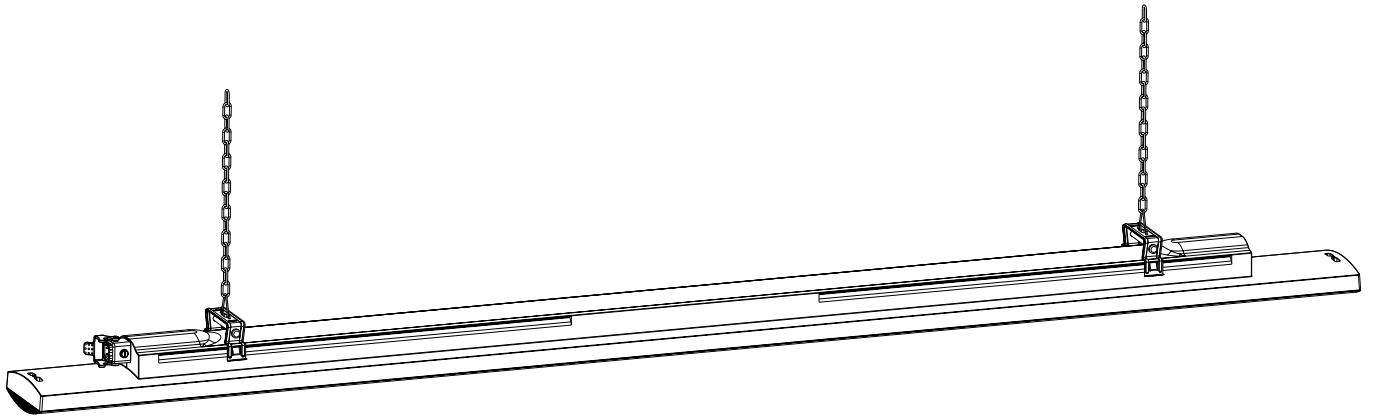
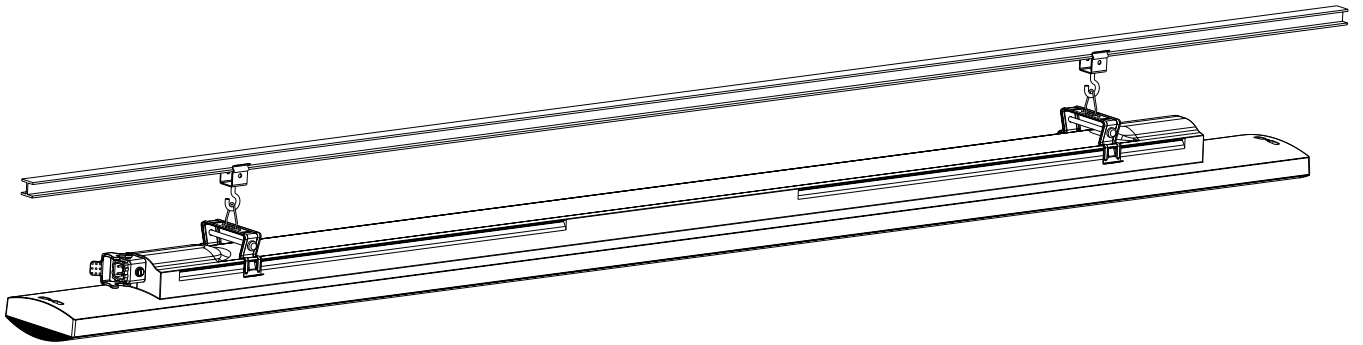
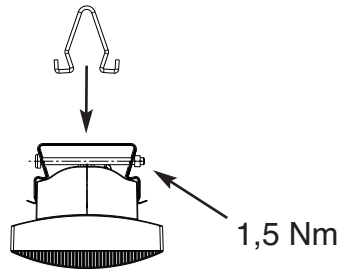


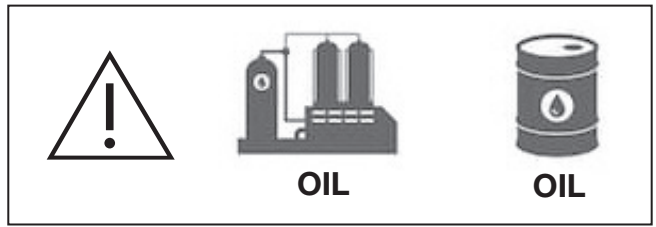
3



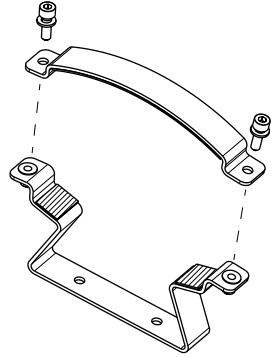
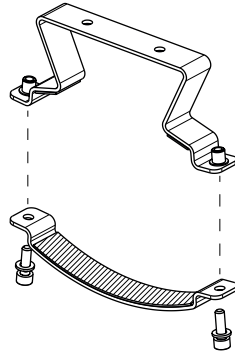
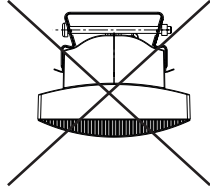
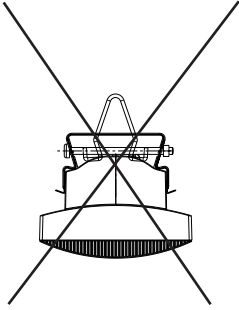
4

1,5 Nm

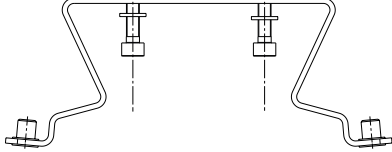
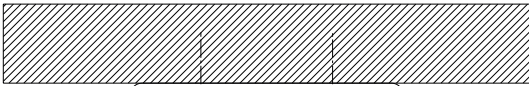




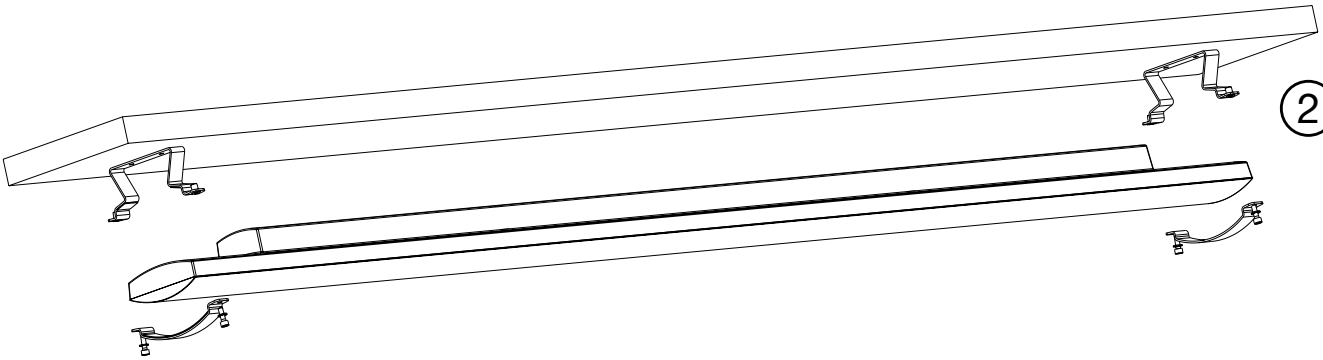
OK! ✓



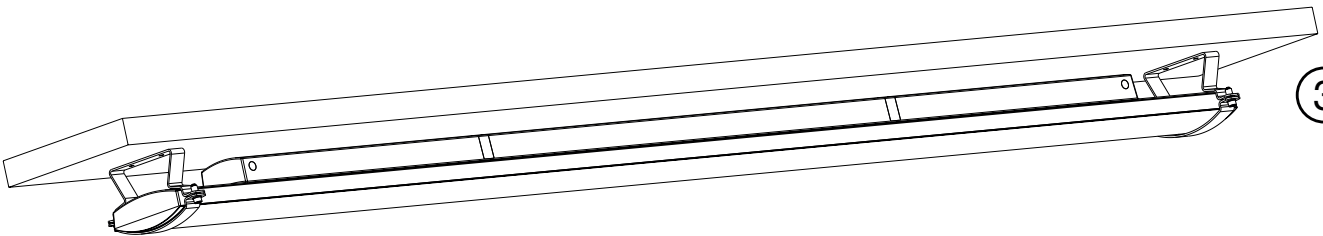
GWS3296



1



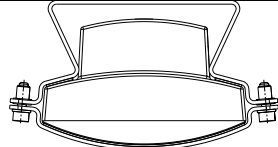
2



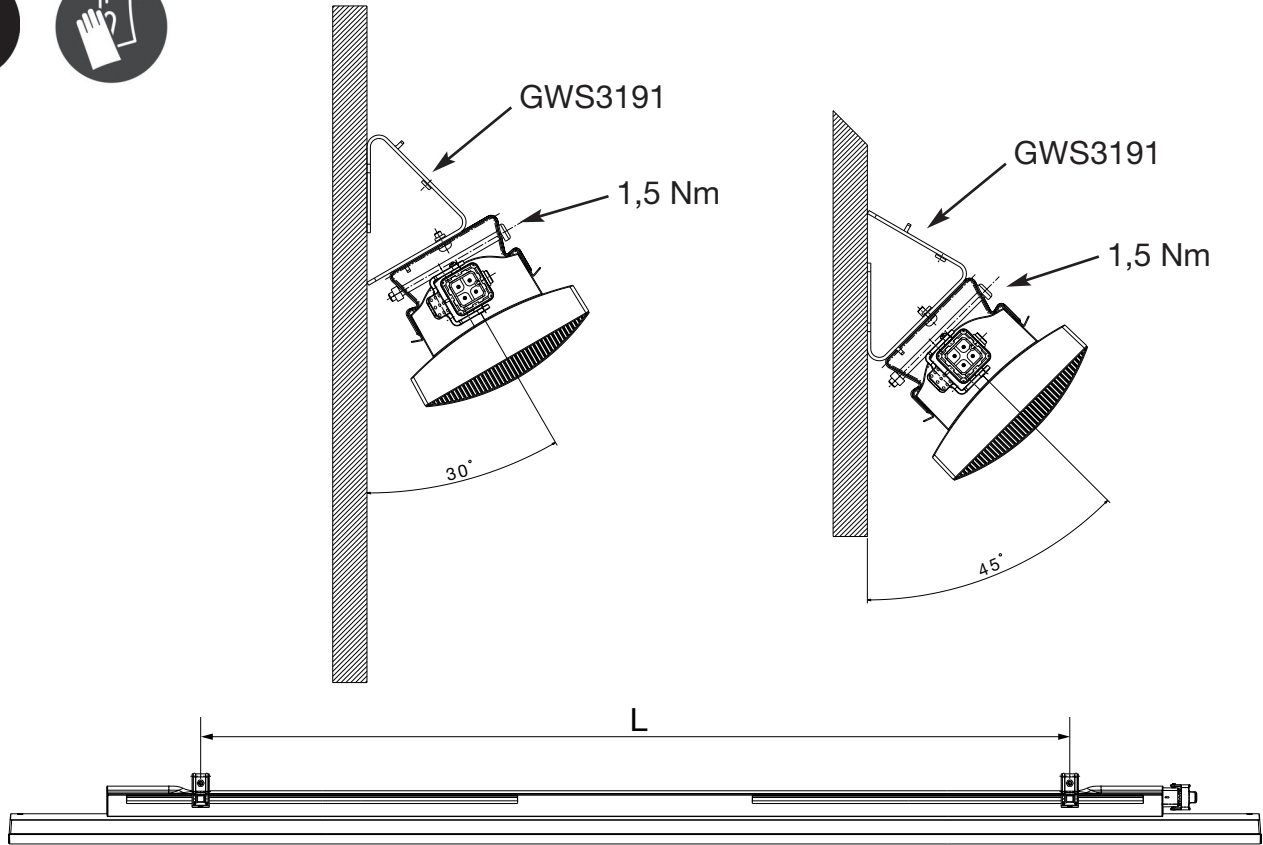
3



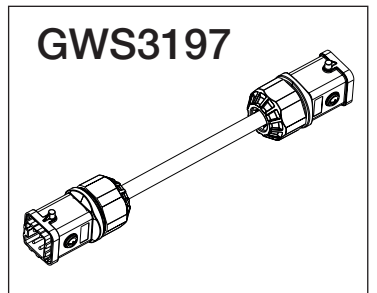
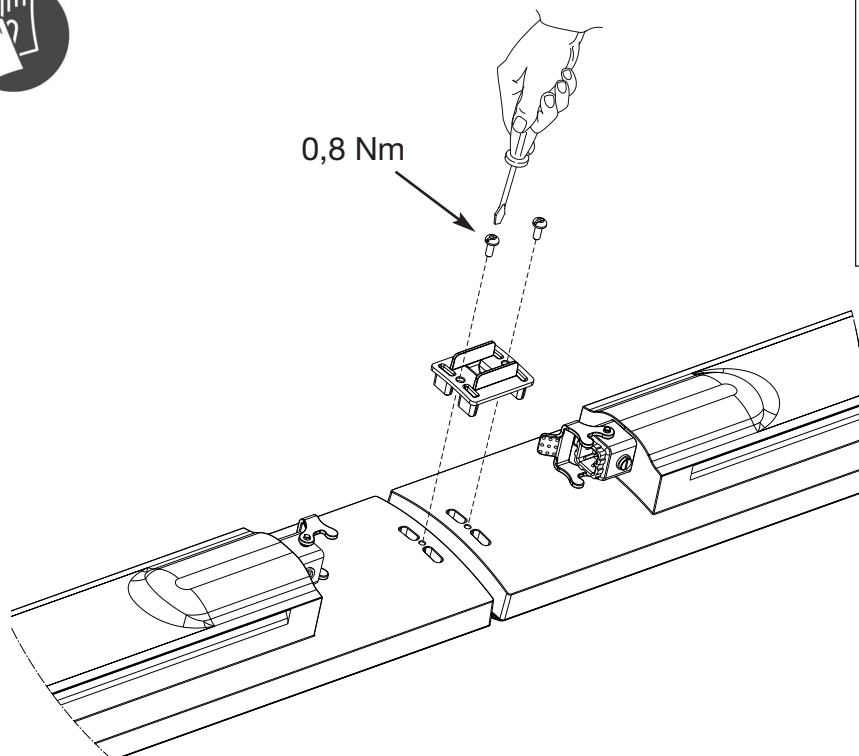
4

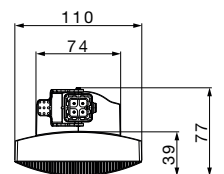
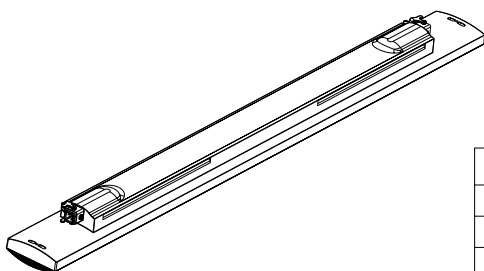
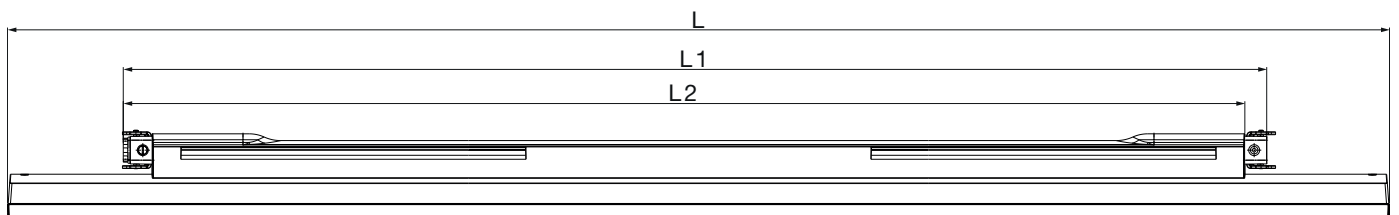
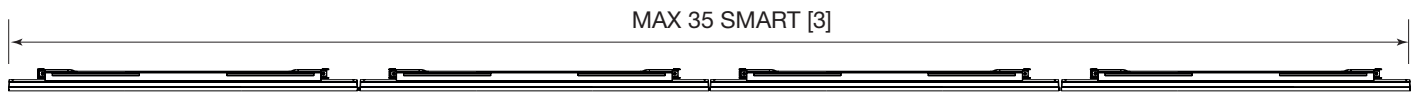
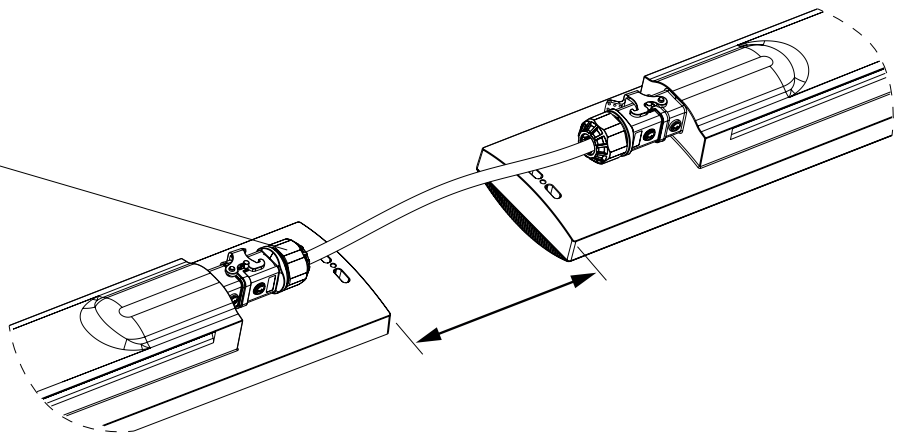
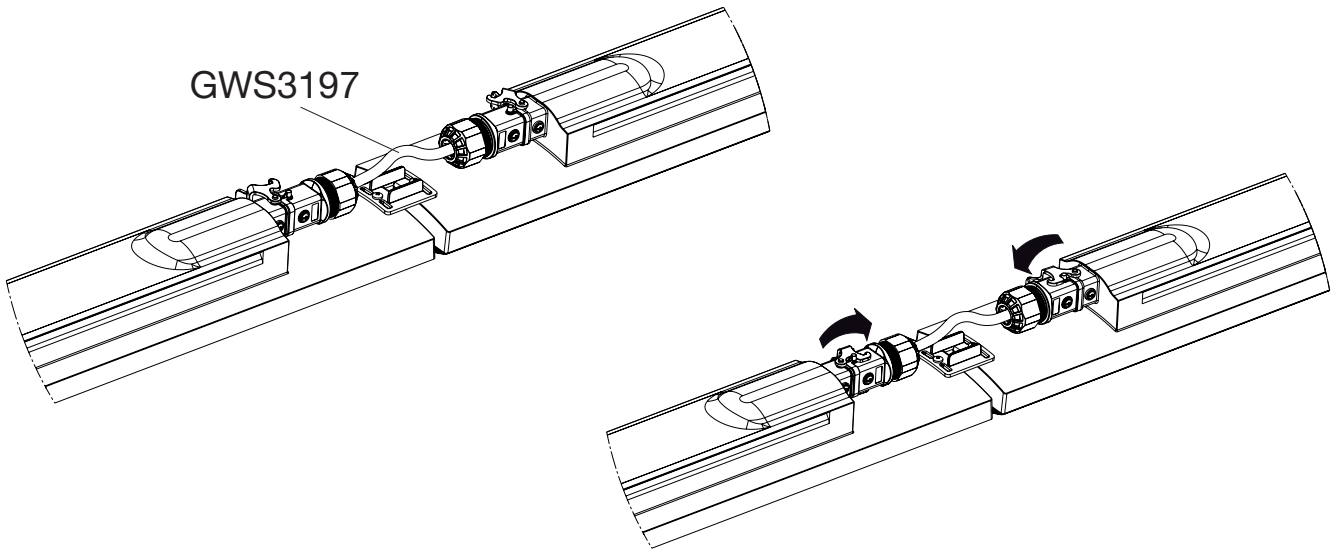


2 Nm



	L
SMART [3] 800	250÷475 mm
SMART [3] 1200	350÷910 mm
SMART [3] 1600	500÷1270 mm

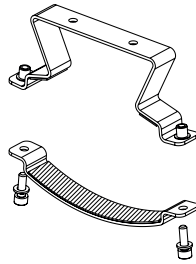




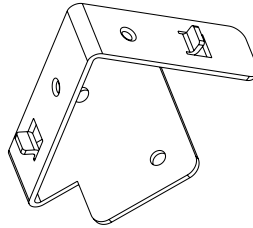
	L	L1	L2
SMART [3] 800	800	//	550
SMART [3] 1200	1200	//	970
SMART [3] 1600	1600	//	1370
SMART [3] 1200 LP	1200	990	//
SMART [3] 1600 LP	1600	1390	//



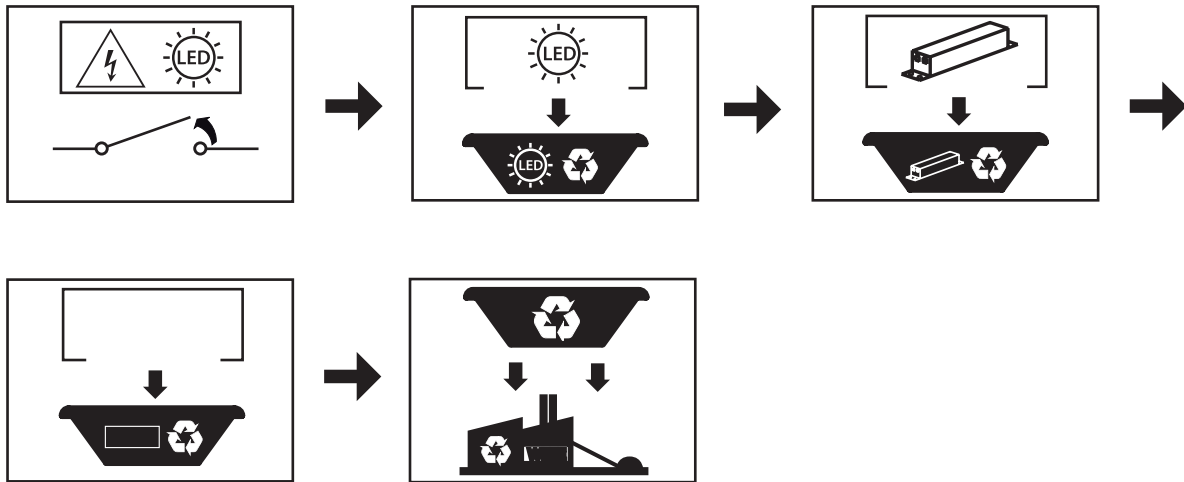
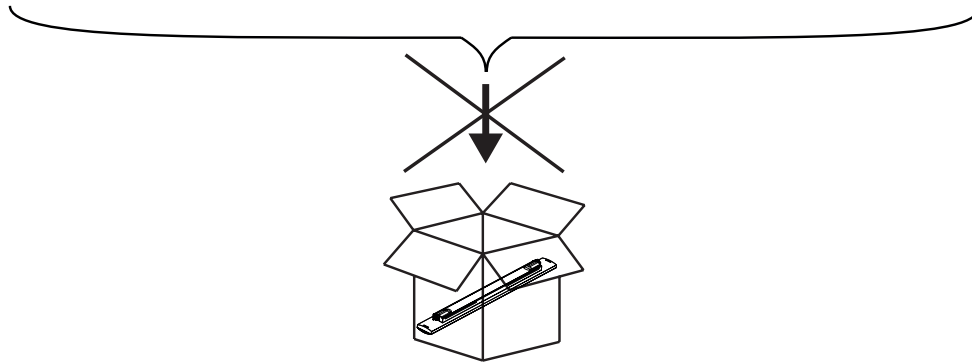
GWS3296



GWS3191



GWS3193



Punto di contatto indicato in adempimento ai fini delle direttive e regolamenti UE applicabili:
Contact details according to the relevant European Directives and Regulations:
GEWISS S.p.A. Via D.Bosatelli, 1 IT-24069 Cenate Sotto (BG) Italy tel: +39 035 946 111 E-mail: qualitymarks@gewiss.com

According to applicable UK regulations, the company responsible for placing the goods in UK market is:
GEWISS UK LTD - Unity House, Compass Point Business Park, 9 Stocks Bridge Way, ST IVES
Cambridgeshire, PE27 5JL, United Kingdom tel: +44 1954 712757 E-mail: gewiss-uk@gewiss.com

+39 035 946 111
8:30 - 12:30 / 14:00 - 18:00
lunedì - venerdì / monday - friday

www.gewiss.com

