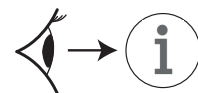


# SPATIUMPRO | 3

# GEWISS

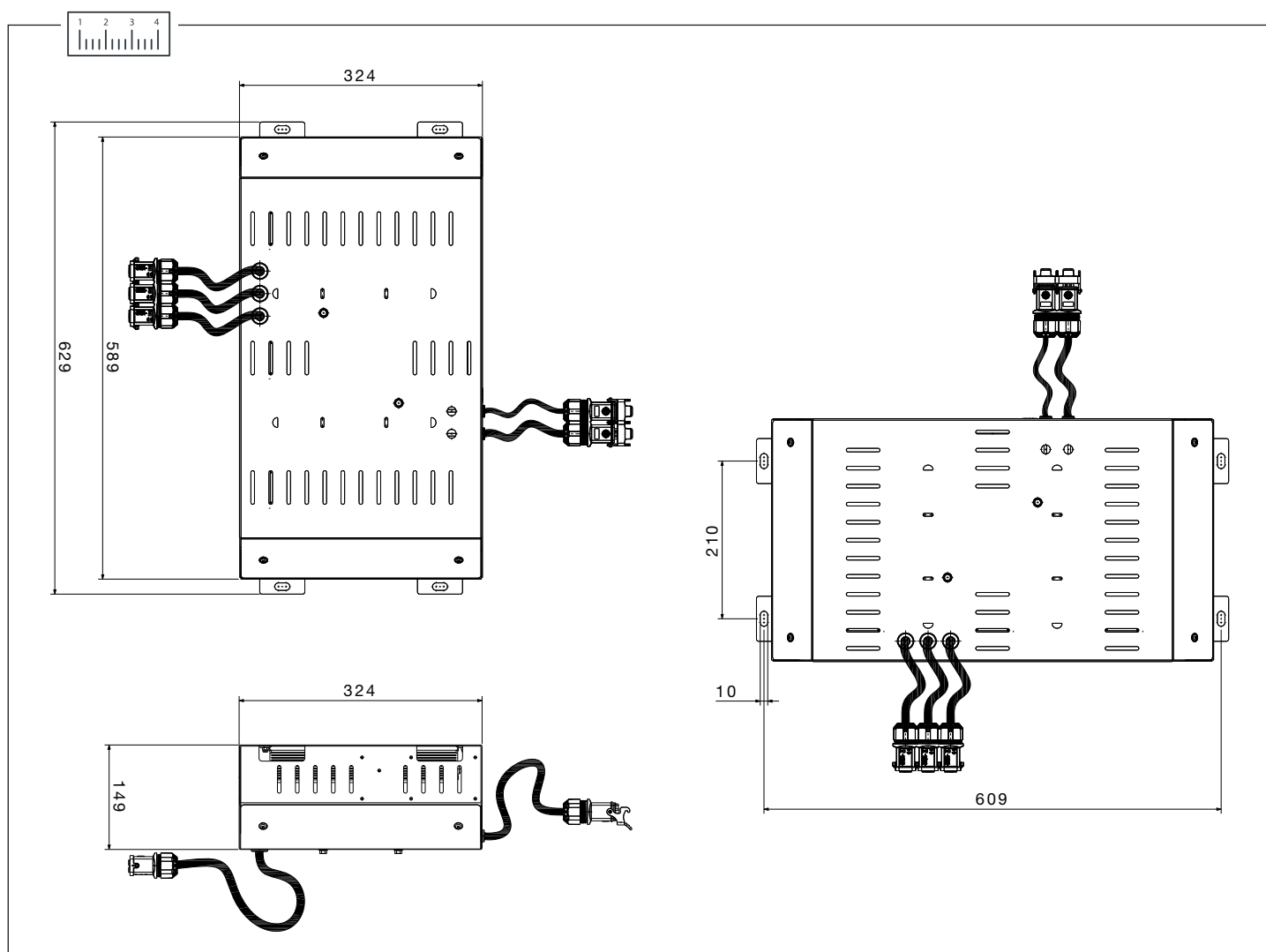


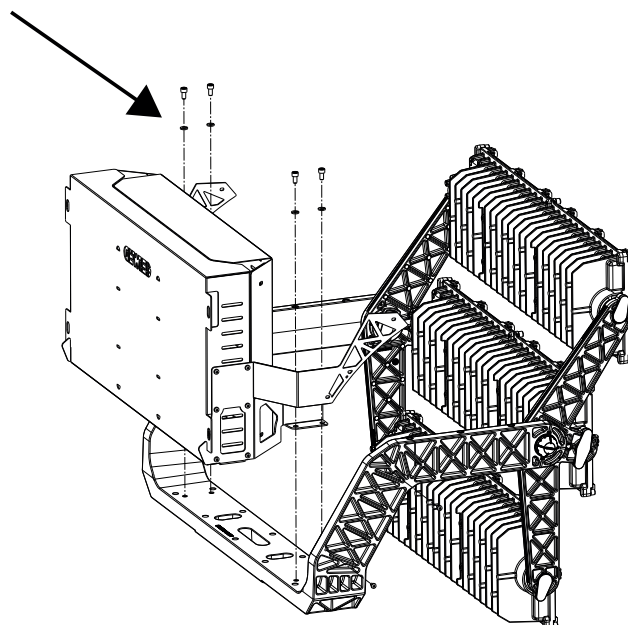
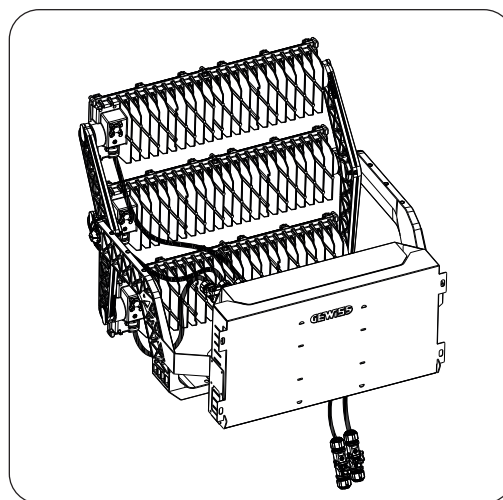
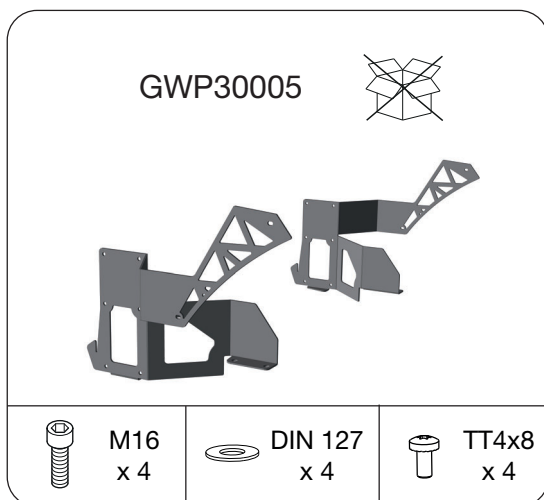
**IP66**



+50°C  
-25°C

V	I	Uout
220-240V 50/60Hz	Max 0,95A	Max 600V $\overline{\text{rms}}$



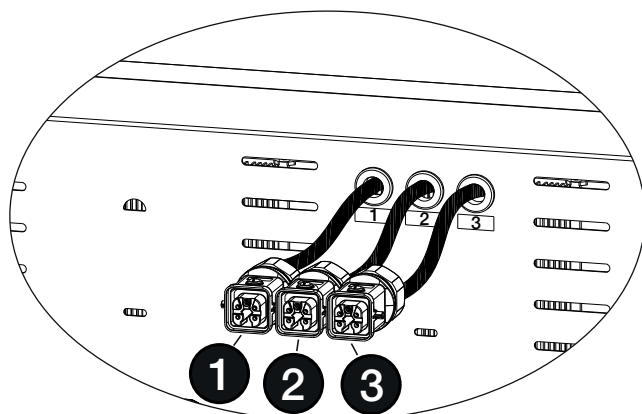
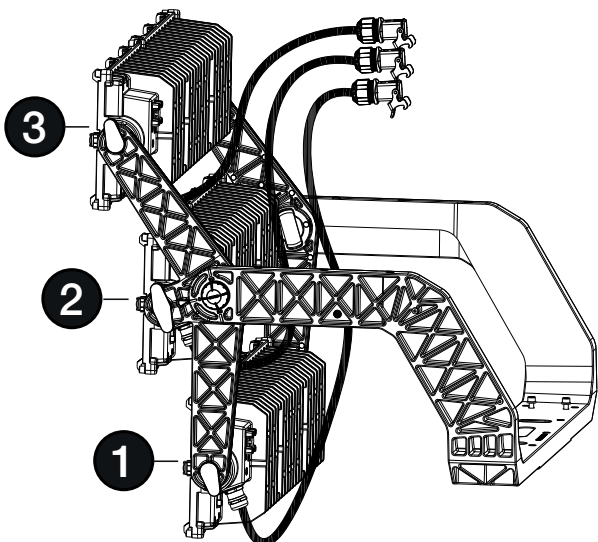
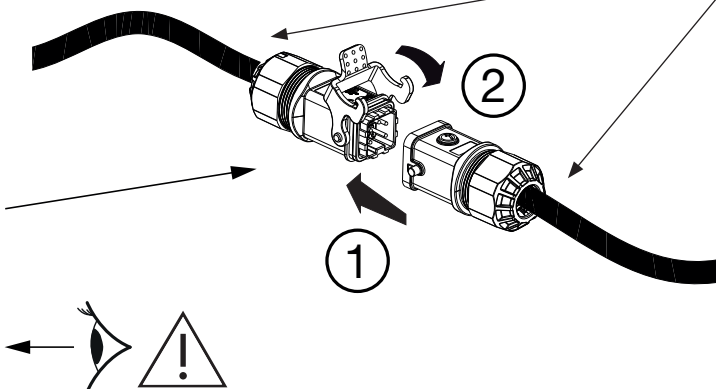
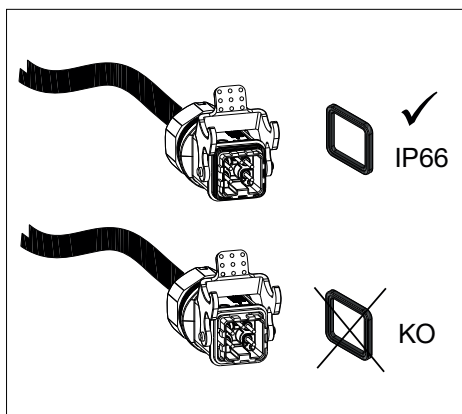
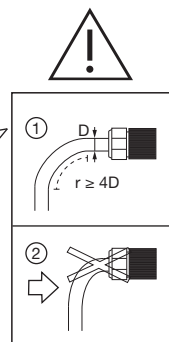
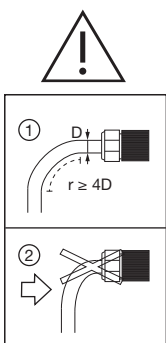
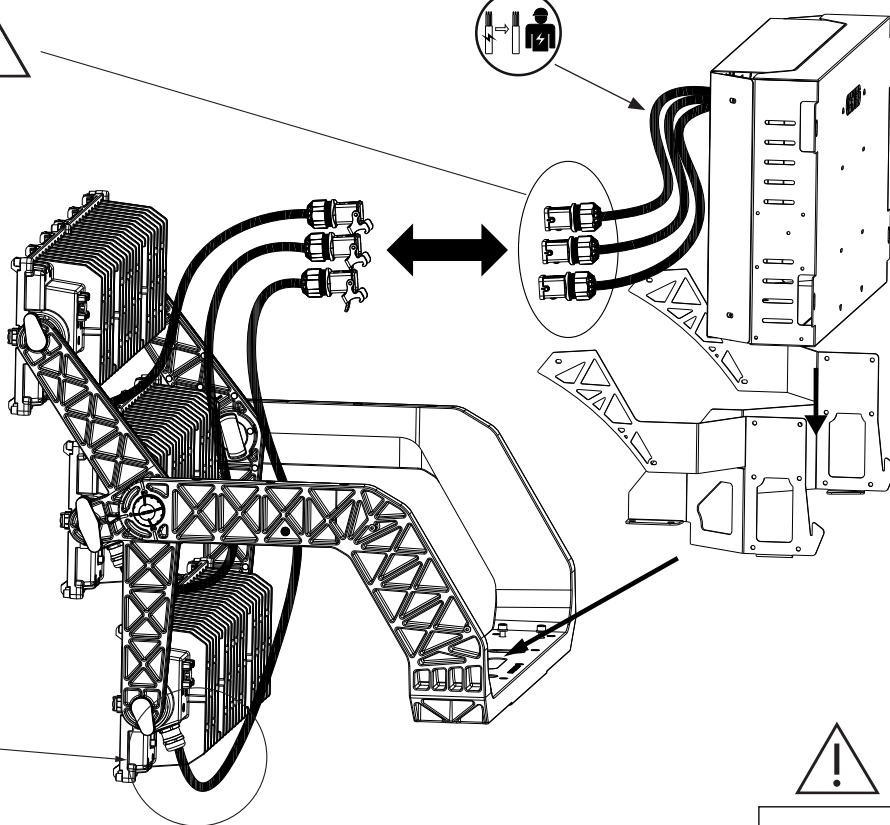
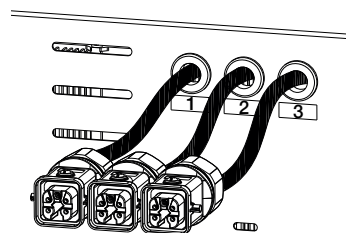


Inrush Current (peak)		
$V_{in}$	$I_{peak}$	Half Value time
220 Vac	28,6	2,4 ms

# GWP30034 for MCB - 220V				
	10A	16A	20A	25A
Type B:	-	1	1	1
Type C:	-	1	1	1
Type D:	-	1	1	2

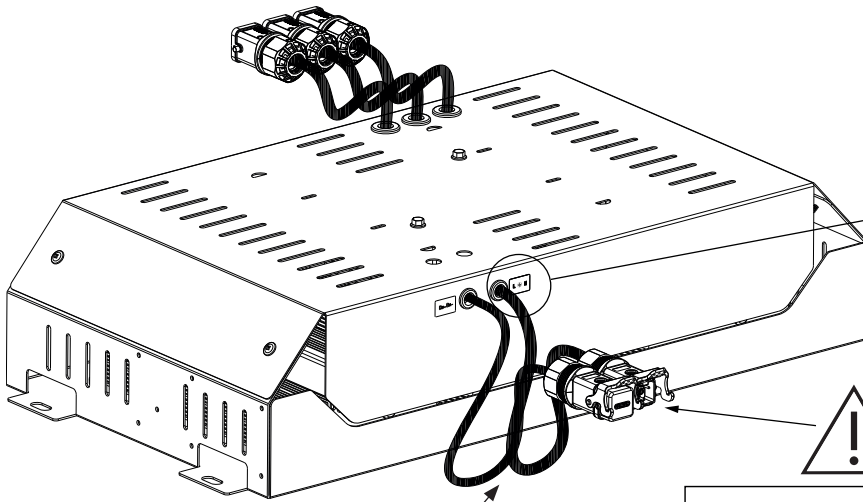
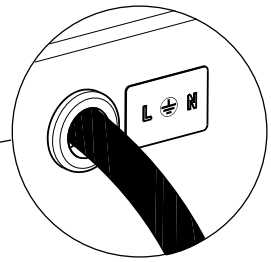


**OUT**

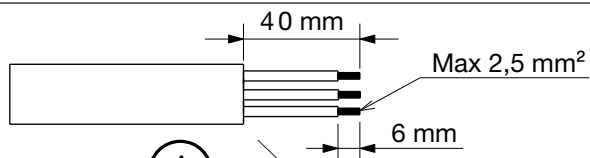
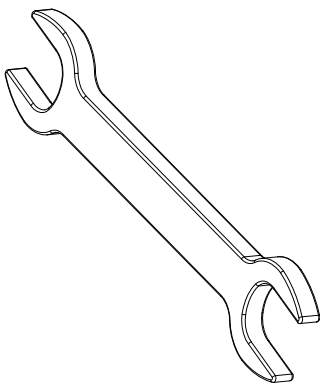




IN



220-240V ↔ DALI →

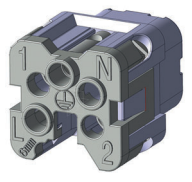


1

2



		DALI
L	=	L
N	=	N
	=	



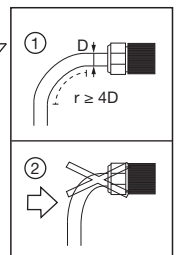
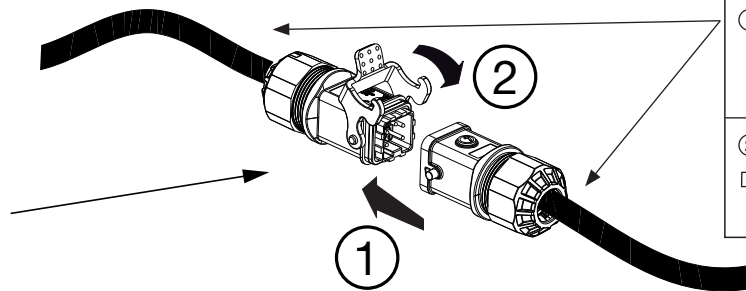
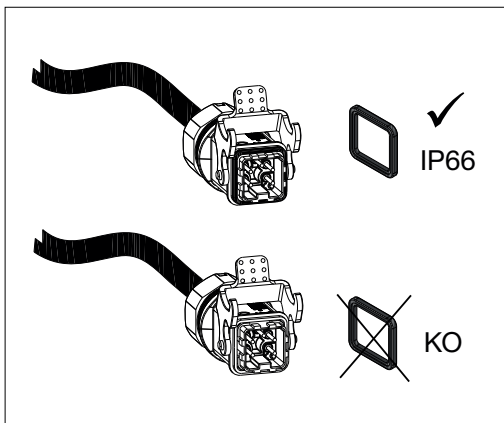
4 Nm

Ø 7÷14,4 mm

4

3

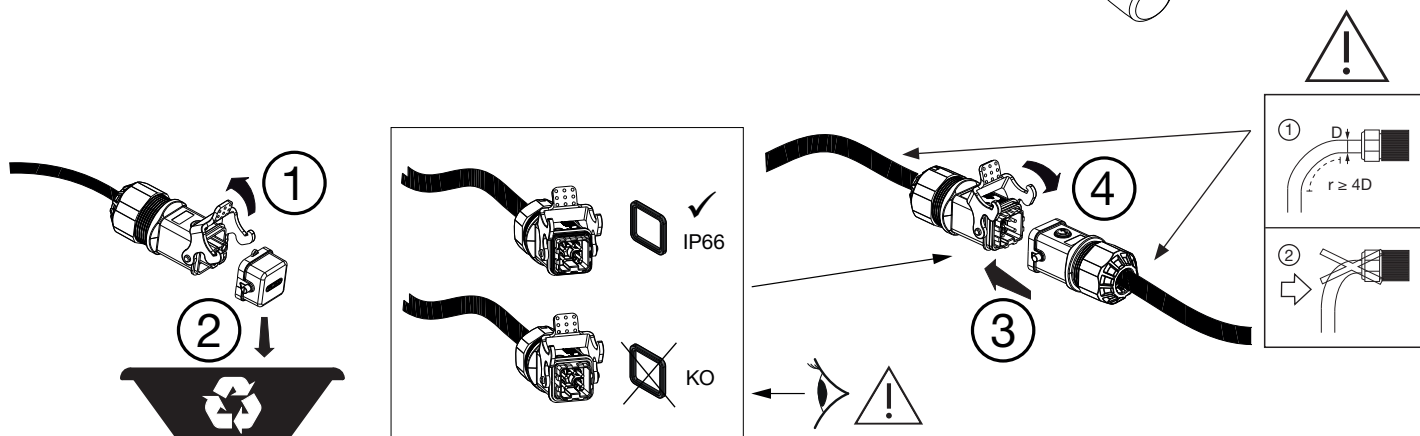
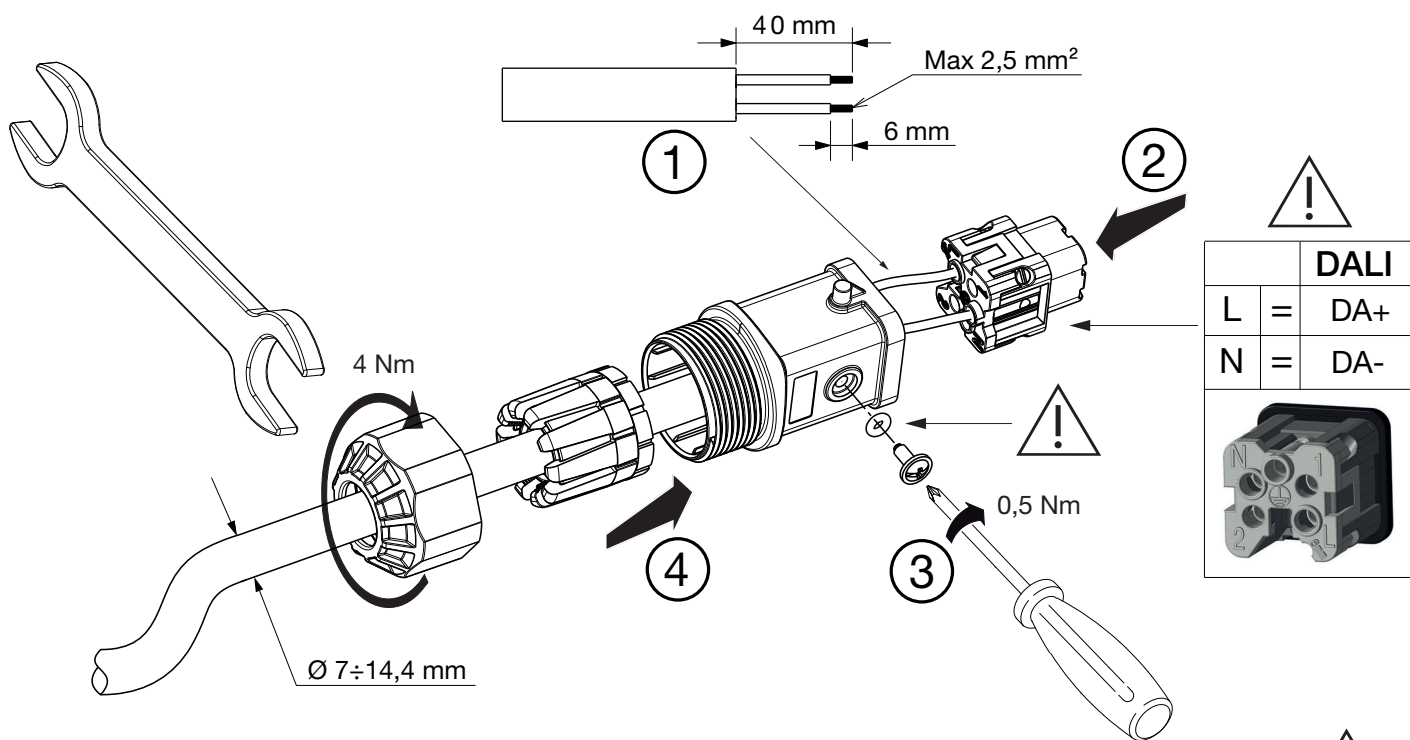
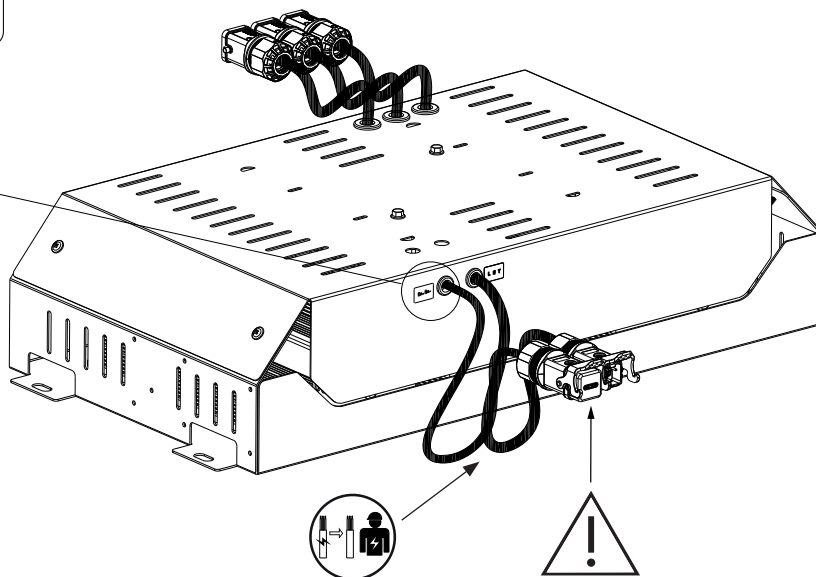
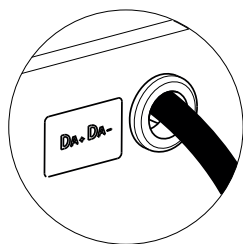
0,5 Nm





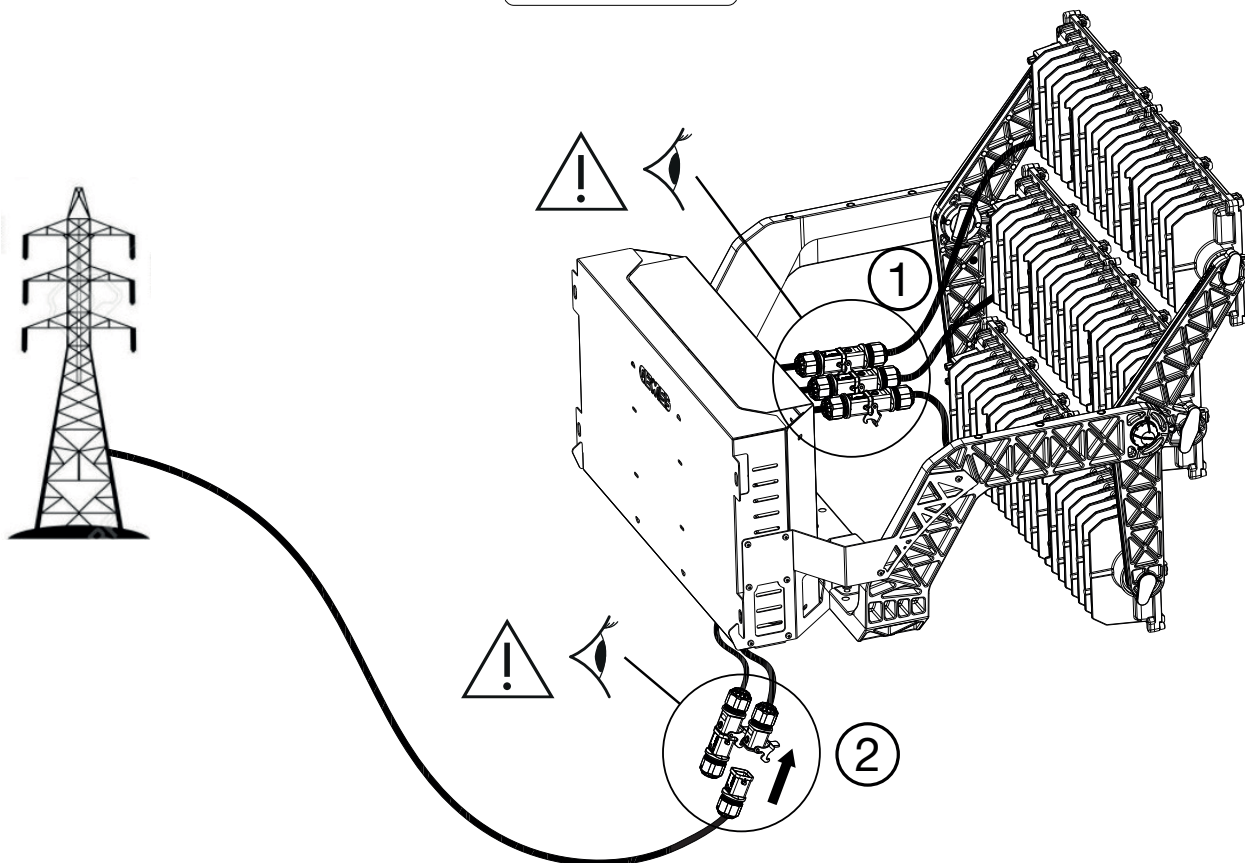


DALI

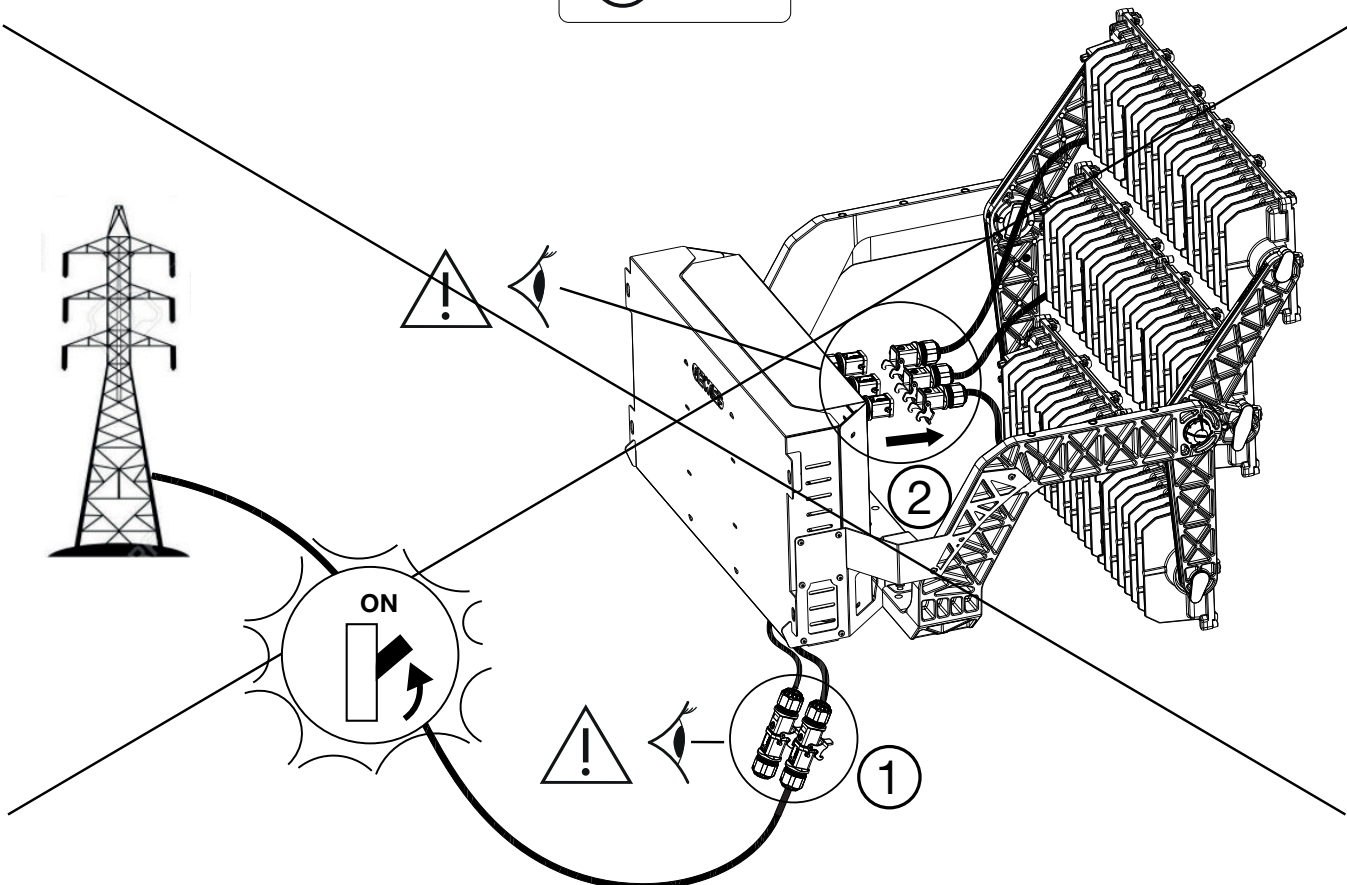


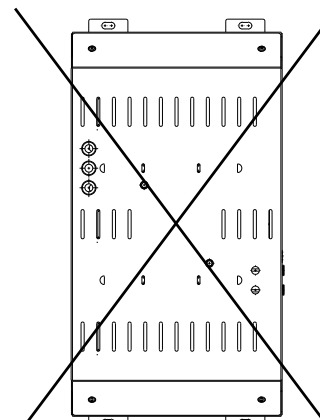
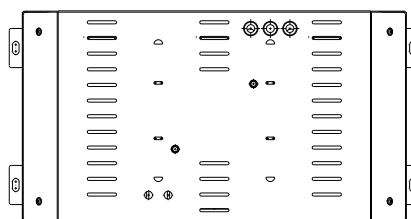
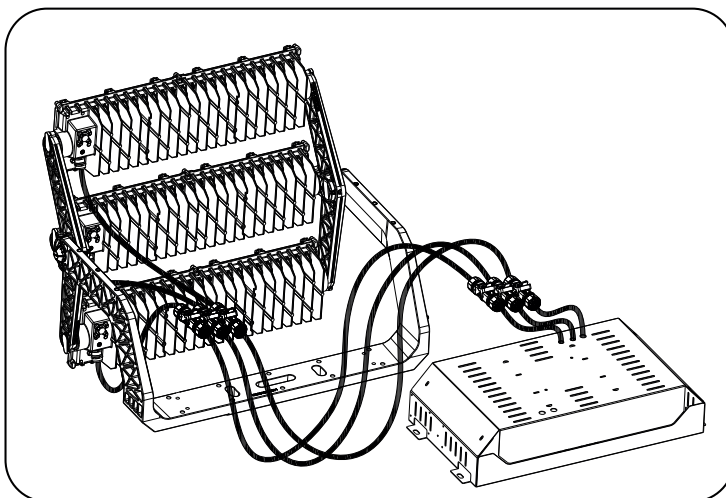


😊 **OK**



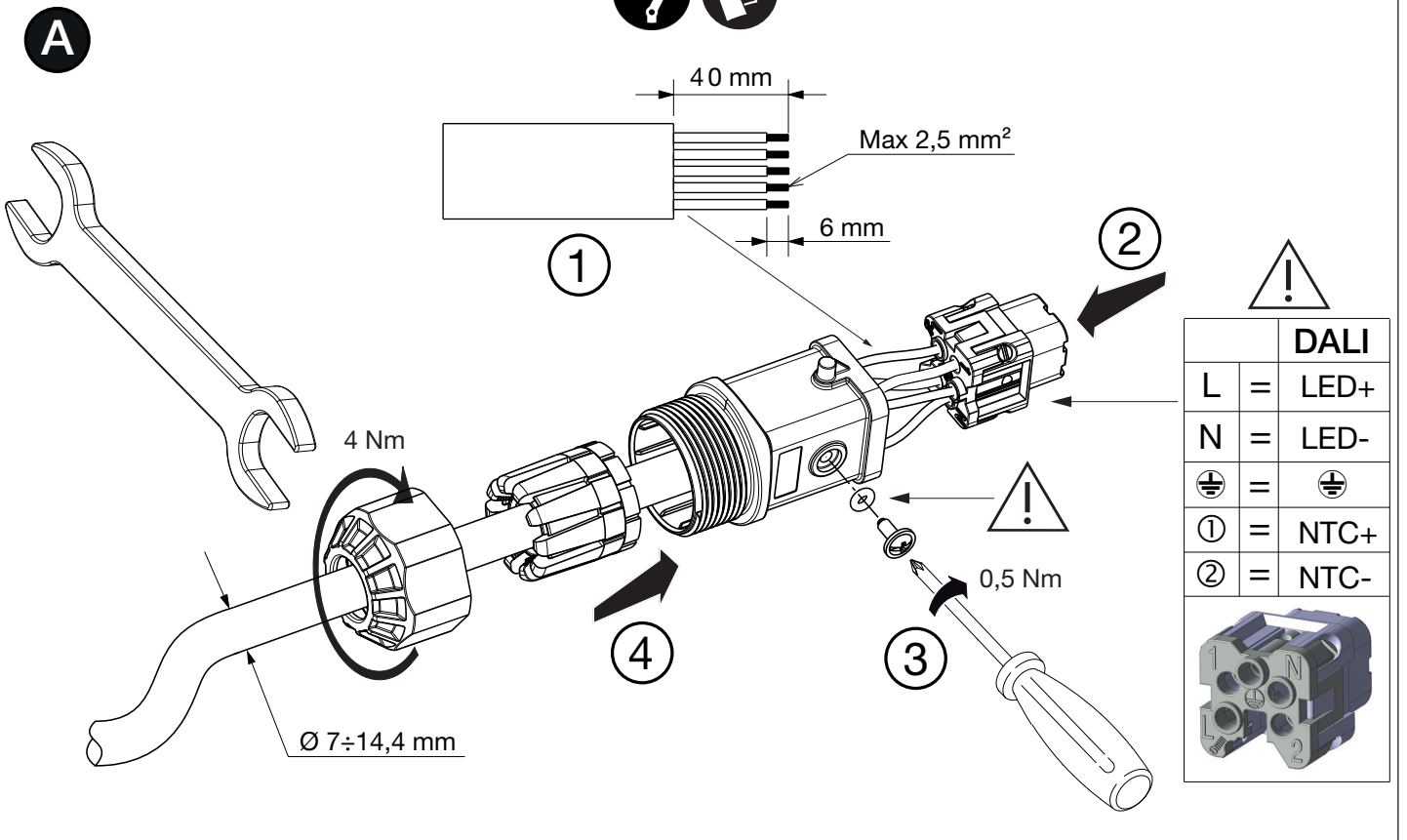
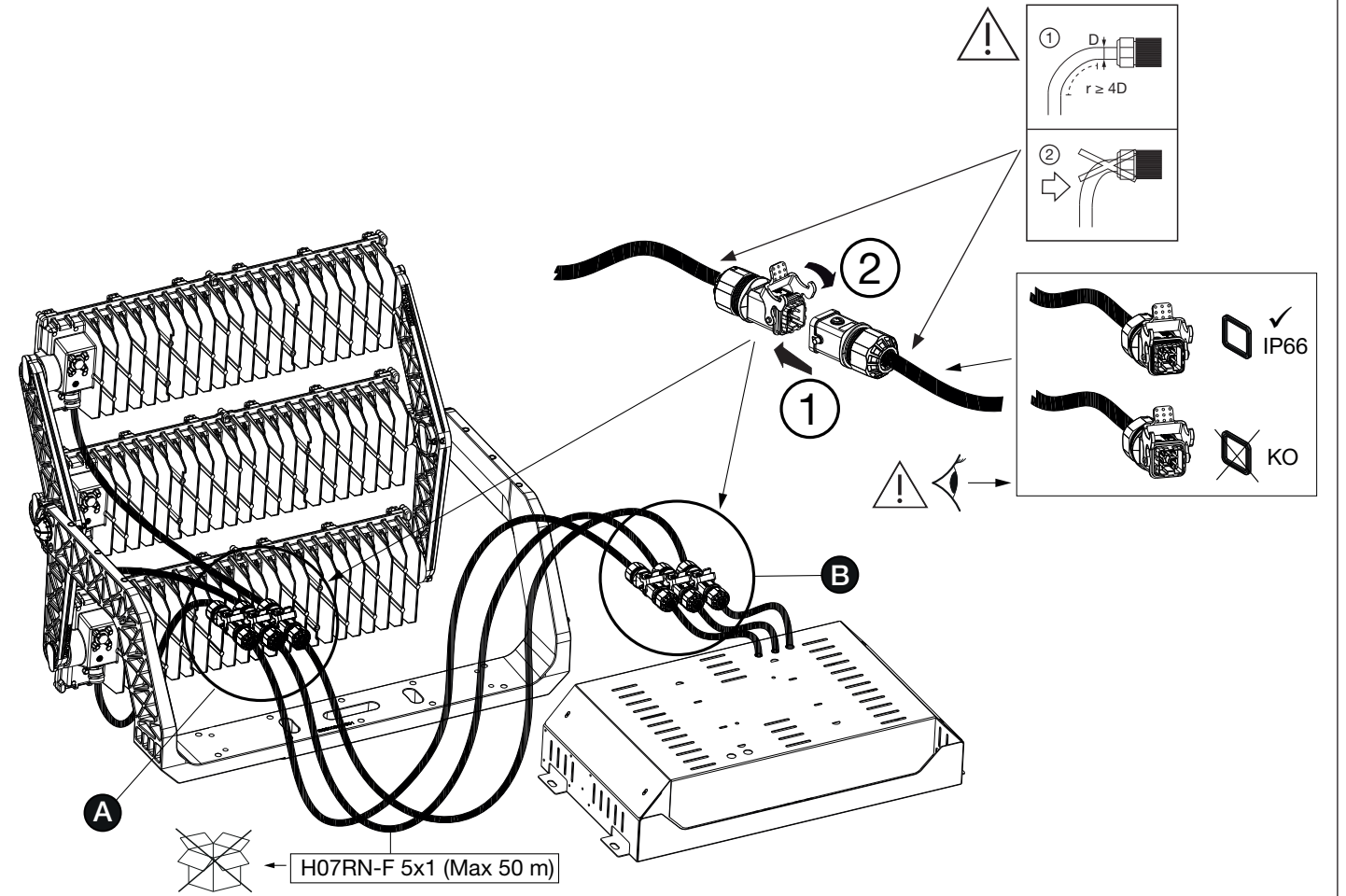
☹ **KO**





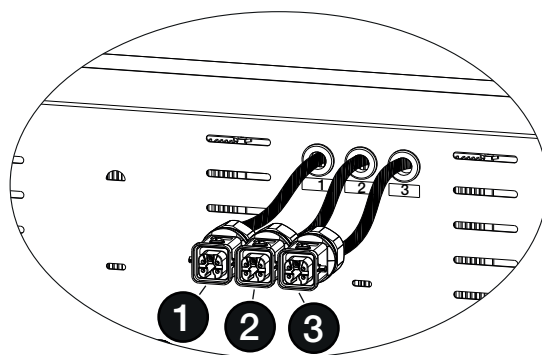
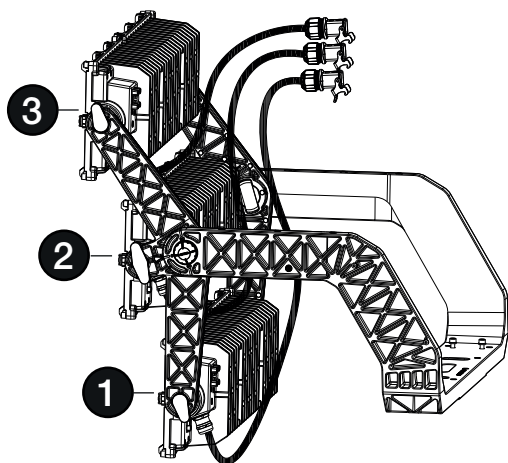
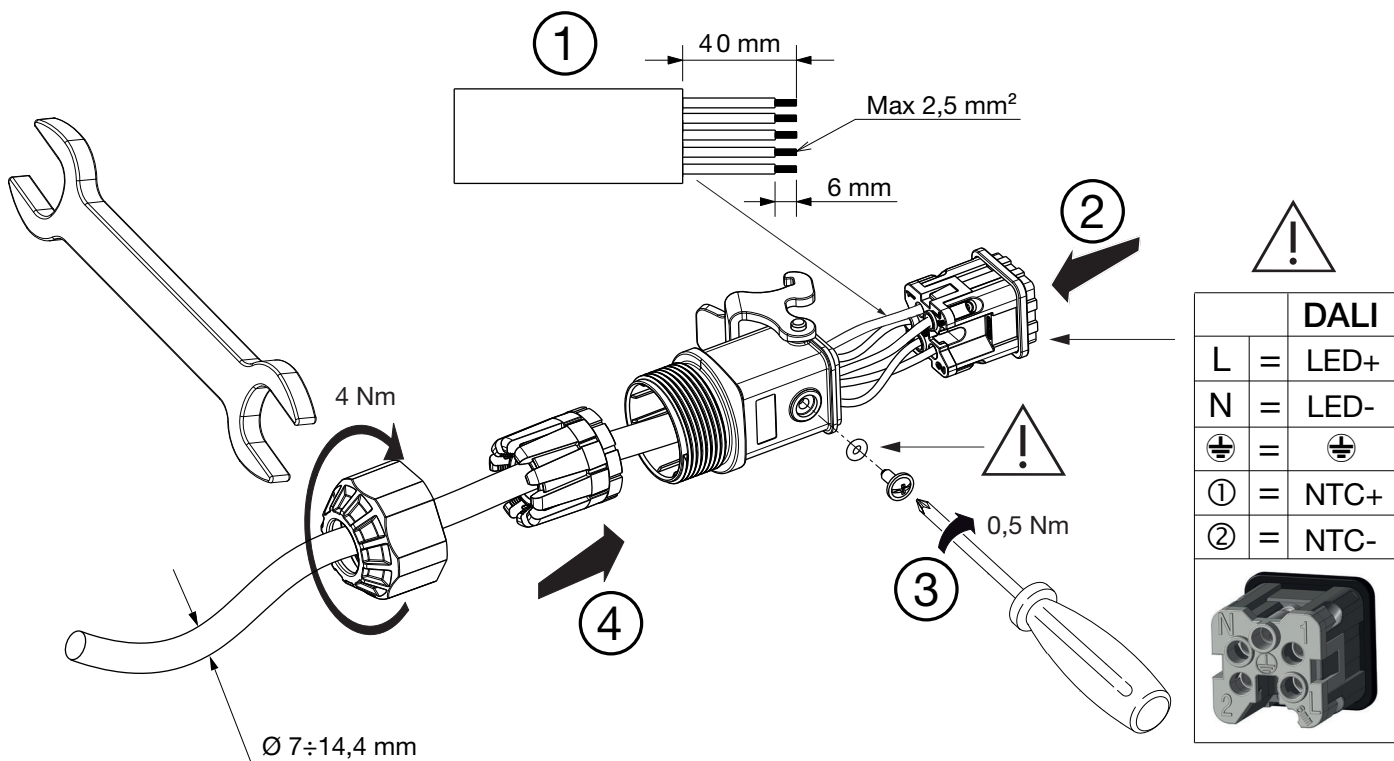
Inrush Current (peak)		
$V_{in}$	$I_{peak}$	Half Value time
220 Vac	28,6	2,4 ms

# GWP30034 for MCB - 220V				
	10A	16A	20A	25A
Type B:	-	1	1	1
Type C:	-	1	1	1
Type D:	-	1	1	2





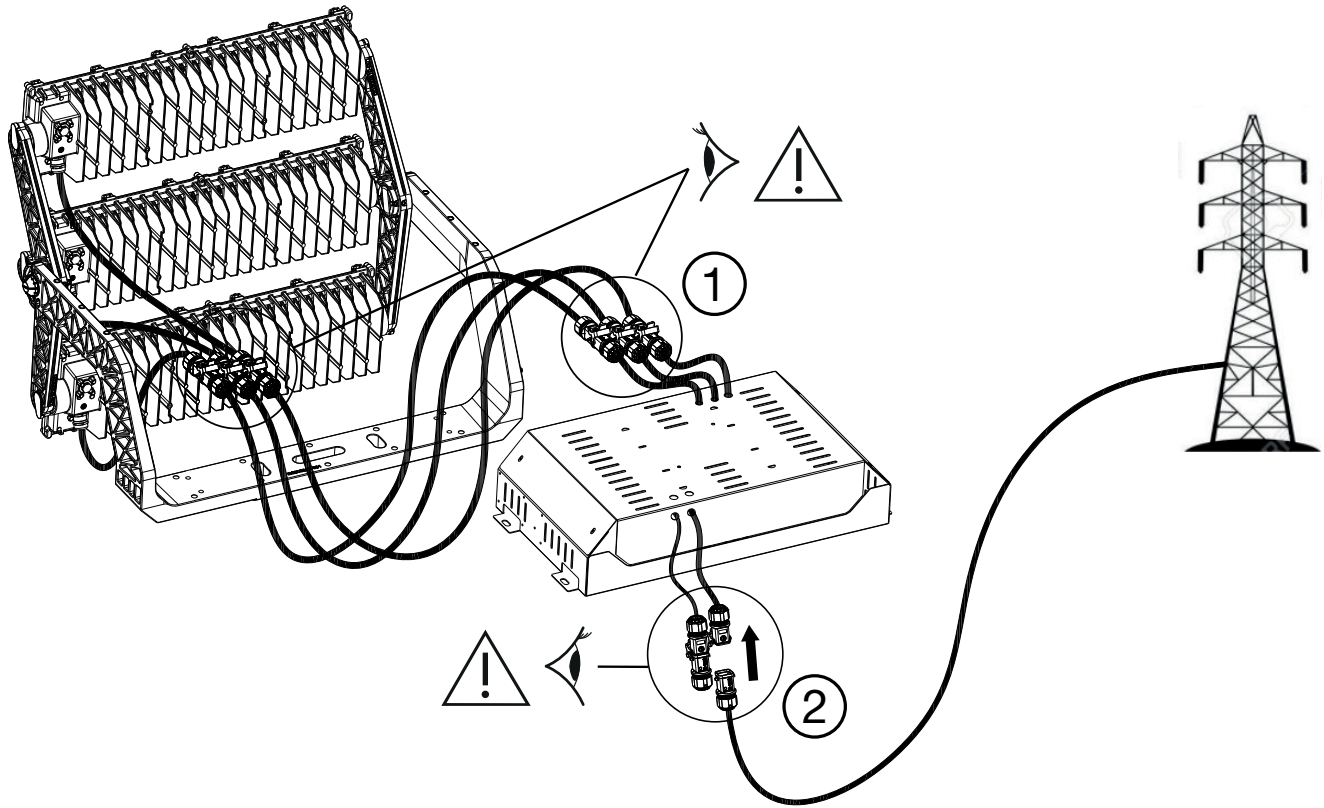
**B**



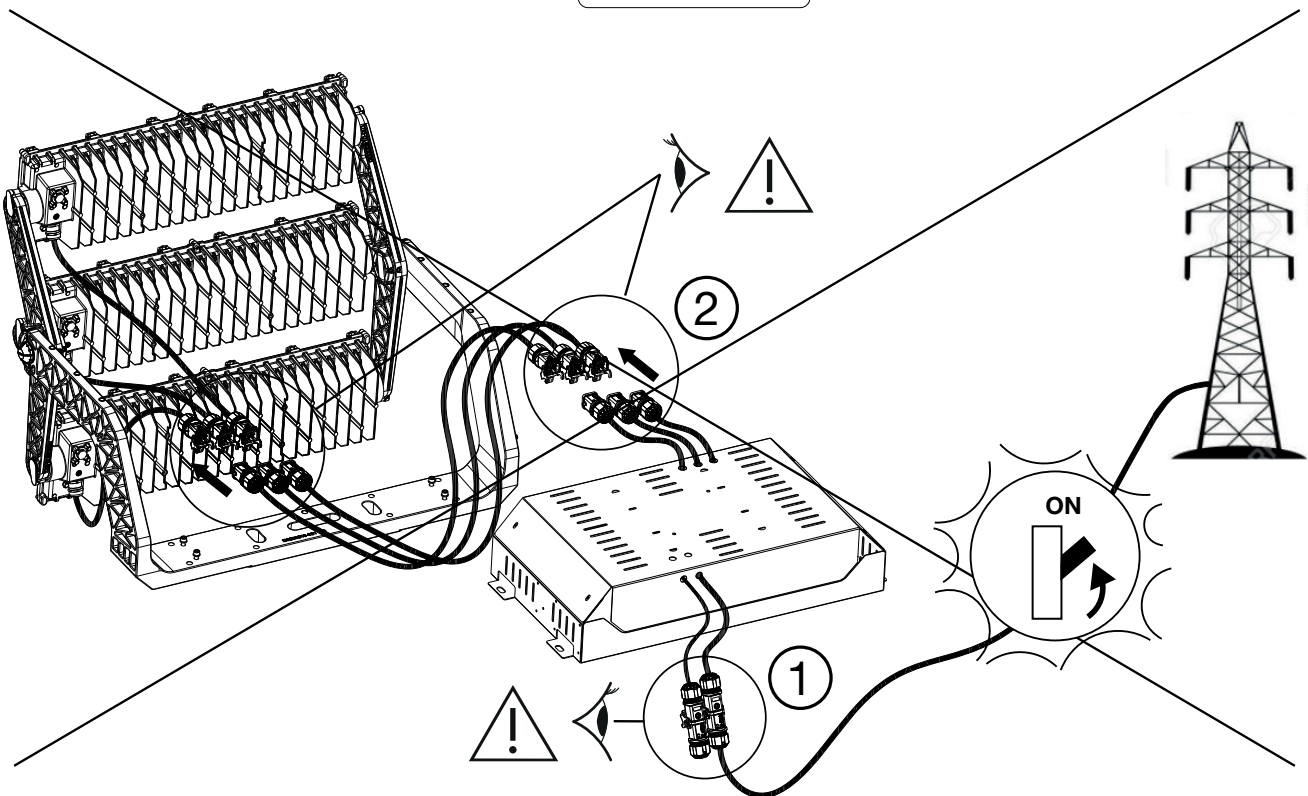




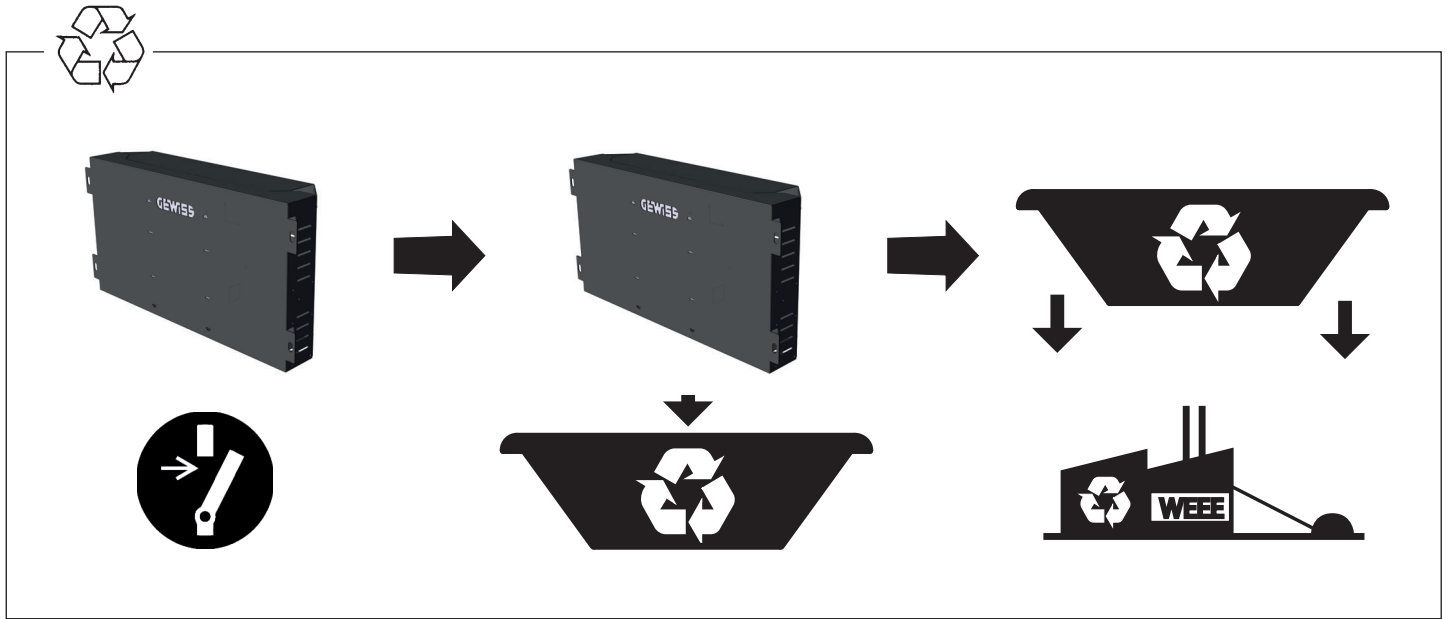
😊 **OK**



☹ **KO**







Punto di contatto indicato in adempimento ai fini delle direttive e regolamenti UE applicabili:

*Contact details according to the relevant European Directives and Regulations:*

**GEWISS S.p.A. Via A.Volta, 1 IT-24069 Cenate Sotto (BG) Italy tel: +39 035 946 111 E-mail: [qualitymarks@gewiss.com](mailto:qualitymarks@gewiss.com)**



**+39 035 946 111**

8.30 - 12.30 / 14.00 - 18.00  
lunedì + venerdì - monday + friday



**+39 035 946 260**



**[sat@gewiss.com](mailto:sat@gewiss.com)**  
**[www.gewiss.com](http://www.gewiss.com)**