

<b>CONTENTS</b>	Page
1. General characteristics .....	1
2. Materials.....	1
3. Finishing.....	1
4. Range.....	2
5. Properties of stainless steel .....	2
6. Heat dissipation capacity.....	3
7. Overall dimensions .....	3
8. Effective surface areas .....	4
9. Fixing equipment.....	5
10. Equipment positioning.....	5
11. Equipment .....	6
12. Accessories.....	12

### 1. GENERAL CHARACTERISTICS

Stainless steel metal cabinets.

Protection index concerning protection from liquids and solid bodies:  
- according to the IEC EN 60529 standard: IP 66 and IP 55 for two-door cabinets,

Protection index IK 10 concerning protection against mechanical impact according to the IEC EN 62262 standard (EN 50102).

Approvals: UL type 4x and type 12 for two-door cabinets, CSA, Bureau Veritas, LRS. LCIE No. 80257 - 575296.

CIEC 60721-3-4 classification:

- climatic conditions: 4K4,
- biological conditions: 4B1,
- presence of chemical agents: 4C3.

Max. permissible load in the cabinet's usable space: 500 kg/m<sup>3</sup>

### 2. MATERIALS

Austenitic stainless steel casing (non-magnetic):

- 304 L <-> Z3 CN 18-9, 12-02
- 316 L <-> Z3 CND 17-11-2,
- Steels with the same composition are sometimes given different designations depending on the standards in force in their country of origin:

Country	Standards	Grade of steel	
		Low-carbon grade austenitic alloy	Low-carbon grade austenitic molybdenum alloy
United States	AISI	304 L	316 L
United States	UNS	S 30403	S 31603
Europe	EN 10088-2 (1195)	X2CrNi18-9	X2CrNiMo17-12-2
Europe	Code number	1.4307	1.4404
UK	BS 1554 (1990)	304 S 11	316 S 11
Germany	Previous standard	1.4307	1.4404
France	NF A 35-573 (1990)	Z 3 CN 18-10	Z 2 CND 12-02
France	Previous standard	Z 2 CN 18-10	Z 2 CND 17-11
France	Ugine brand	NS 22 S	NSM 21 S
Sweden	MNC 900E (1985)	SIS 2352	SIS 2348
Japan	JIS G 4304 (1987)	SUS 304 L	SUS 316 L

Door seal: 16 x 8 mm polyurethane foam.

### 3. FINISHING

Vertical brushed stainless steel: 180-grain polished (conform to NF E 05-015):

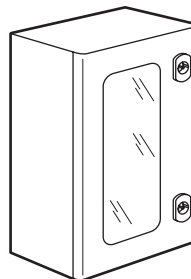
- $0.25 \mu\text{m} \leq Ra \leq 0.35 \mu\text{m}$ ,
- $2.5 \mu\text{m} \leq Rt \leq 4 \mu\text{m}$ .

Upper and lower protective hoods.

Door with rounded vertical sides. Non-reversible door.

Cabinets with window:

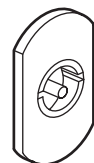
- safety glass window, thickness 4 mm,
- fixed to the door with adhesive ensuring weatherproof seal.



Cabinets dimension	Window dimensions (mm) (H x W)	
	H	W
400 x 300 x 200	300	128
500 x 400 x 200	400	228
600 x 400 x 200	500	
500 x 500 x 250	400	328
600 x 400 x 250	500	228
700 x 500 x 250	600	328
800 x 600 x 300	700	428
1 000 x 800 x 300	850	628
1 200 x 800 x 300	960	

Closing by double bar lock(s):

- Epoxy finish,
- 304 L cabinet: zamak-coated recess,
- 316 L cabinet: 304 L steel coated recess.



**4. RANGE**

**4.1 Listed cabinets**

	Stainless steel cabinets 304 L		Stainless steel cabinets 316 L	Dimensions		
	Without window	With window	Without window	Height	Width	Depth
Vertical 1-door version	0 352 00 <sup>(1)</sup>		0 352 40 <sup>(1)</sup>	300	200	160
	0 352 01	0 352 21	0 352 41	400	300	200
	0 352 02	0 352 22	0 352 42	500	400	
	0 352 03	0 352 24		600		250
	0 352 05	0 352 25	0 352 45		700	
	0 352 06	0 352 26	0 352 46	800	600	300
	0 352 11	0 352 31	0 352 47	1000	800	
	0 352 13	0 352 33	0 352 53	1200		
		0 352 14	0 352 76		1400	400
	Vertical 2-door version	0 352 16			1200	1000
Square version	0 352 07			400	400	200
	0 352 55	0 352 75		500	500	250
	0 352 09			600	600	
	0 352 12			800	800	300
Horizontal version	0 352 04			300	400	200
	0 352 08			400	600	250

(1) Supplied complete with plain plate

**4.2 Custom cabinet on request**

**4.2.1 Open-back cabinets**

Back section cut away, leaving a 25 mm margin either with or without an equipment fixing area.

**4.2.2 Cut-outs and drillings**

On the body.

On the doors.

On plain plates.

Custom windows.

**4.2.3 Equipement**

Lina 12.5 or Lina 25 plain plates.

Fixing lugs.

Inner doors.

Fan installations.

**4.2.4 Cable entry plates**

Warning: adding a cable entry plate provides an IP55 protection index against liquids and solid bodies.

With or without cable entry.

Top/ Bottom positioning.

Installation of a Cabstop™ plate.

**4.2.5 Closure**

The universal closing fixtures provide a wide range of possible closing options.

Please contact us for individual configurations.

**5. PROPERTIES OF STAINLESS STEEL**

**5.1 Resistance to chemical agents**

AISI designation (indicative)	304 L <sup>(1)</sup>	316 L <sup>(2)</sup>
<b>ISO EN 10088-2 designation</b>	<b>1.4307</b>	<b>1.4404</b>
Standardized chemical composition	X2CrNi18-9	X2CrNiMo17-12-2
Chemical agents		
Fresh water, humid air	++	++
Slightly acidic distilled water	++	++
Salt water and spray	+	++
Ammonia water, all concentrations	++	++
Bleach (sodium hypochlorite) diluted to 0.3%	+	++
Lime potash (potassium hydroxide) 50%	++	++
Sodium potash (sodium hydroxide) 50%	++	++
Acetic acid - all concentrations	++	++
Concentrated vapours with condensation	+	+
ACitric acid < 50%	++	++
Citric acid > 50%	+	++
Lactic acid - all concentrations	++	++
Formic acid - all concentrations	++	++
Hydrochloric acid < 1%	-	++
Hydrochloric acid > 1%	--	-
Nitric acid < 90%	++	++
Nitric acid > 90%	+	+
Phosphoric acid - all concentrations	++	++
Sulphuric acid < 5%	+	++
Sulphuric acid 20%	-	+
Sulphuric acid 40%	--	-
Aliphatic hydrocarbons	++	++
Aromatic hydrocarbons	++	++
Alcohols	++	++
Glycols	++	++
Dry chlorinated solvents	+	++
Dry chlorinated solvents + moisture	-	+
Ketones	++	++
Terpenes	++	++

Resistance to chemical agents at ambient temperature with respect to a risk of exposure by sprinkling.

++ Excellent resistance (continuous exposure), + Good resistance (long exposure).  
- Limited resistance (momentary exposure is possible), -- Low resistance (exposure should be avoided).

(1) Avoid in the event of exposure to acidic foodstuffs such as white wine or mustard.

(2) Recommended in a chlorinated or marine environment (except tidal zones).

## 5. PROPERTIES OF STAINLESS STEEL (CONTINUED)

### 5.2 Corrosion resistance

304 L stainless steel:

- to salt spray (BS) 1000 hrs
- to sulphur dioxide (SO<sub>2</sub>) 500 hrs

316 L stainless steel:

- to salt spray (BS) 2000 hrs
- to sulphur dioxide (SO<sub>2</sub>) 1000 hrs

### 5.3 Environmental capacities

Climatic conditions		304 L	316 L
Inside	Dry	Excellent	
	Damp	Excellent	
	Damp and aggressive	OK	
Outside	Rural	Excellent	
	Urban	Excellent	
	Industrial	OK	
	Tropical	OK	
	Marine		Excellent
Temperature and hygrometry	Cold	Excellent	
	Very cold	Excellent	
	Temperate (Europe)	Excellent	
	Hot and dry (North Africa)	Excellent	
	Damp	OK	

### 5.4 Use

In zones requiring rigorous hygiene, for example:

- food and beverage industries,
- distilleries,
- industrial kitchens,
- dairies,
- clean rooms.

In corrosive environments, for example:

- chemical industries,
- pharmaceutical industries,
- petroleum industries,
- paper industries.

304 L stainless steel resistance characteristics:

- nitric acid m 52 % at all temperatures and m 98 % cold
- cold-diluted organic acids,,
- salt solutions except chlorides, sulphides and sulphates,
- fresh water and natural atmosphere low in chlorides,
- foodstuffs except mustard and white wine.

316 L stainless steel resistance characteristics:

- phosphoric acids - all concentrations m 40° C,
- sulphuric acids < 10 % and > 80 % at 20° C,
- sulphonic compounds m 70° C,
- sulphide vapours and solutions, even boiling,
- salt solutions except chloride,
- alkaline solutions - all concentrations < 100° C,
- fresh water and natural atmosphere (particularly marine conditions),
- organic, food and pharmaceutical compounds.

## 6. HEAT DISSIPATION CAPACITY

Testing the max. capacity of a cabinet to dissipate heat according to standard IEC 62208-1.

### Configuration 1 (C1):

All outer surfaces of the cabinet are clear and not in contact with anything (floor standing, on structural bracket or frame for example).

### Configuration 2 (C2):

The rear surface is in contact with a wall, all other surfaces are clear (standard case of wall mounting for example).

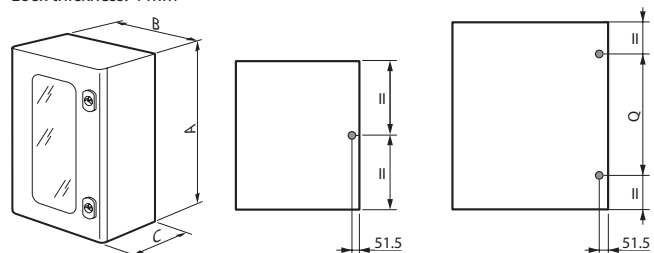
For other installation configurations, please consult us.

Stainless steel cabinets 304 L	Stainless steel cabinets 316 L	Dimensions (mm)	Temperature rise delta (K)	Max. power that can be dissipated (W)	
				C1	C2
Without window	With window	Without window			
0 352 00		0 352 40	300 x 200 x 160	30	36 32
0 352 01	0 352 21	0 352 41	400 x 300 x 200	30	68 58
0 352 02	0 352 22	0 352 42	500 x 400 x 200	30	98 82
0 352 03	0 352 24		600 x 400 x 200	30	114 95
0 352 05	0 352 25	0 352 45	600 x 400 x 250	30	127 108
0 352 06	0 352 26	0 352 46	700 x 500 x 250	30	168 140
0 352 11	0 352 31	0 352 47	800 x 600 x 300	30	233 194
0 352 13	0 352 33	0 352 53	1000 x 800 x 300	30	347 283
0 352 14	0 352 76		1200 x 800 x 300	30	404 327
0 352 15			1400 x 800 x 400	30	518 428
0 352 16			1200 x 1000 x 300	30	480 385
0 352 07			400 x 400 x 200	30	83 70
0 352 55	0 352 75		500 x 500 x 250	30	129 110
0 352 09			600 x 600 x 250	30	171 142
0 352 12			800 x 800 x 300	30	291 239
0 352 04			300 x 400 x 200	30	68 58
0 352 08			400 x 600 x 250	30	127 108

## 7. DIMENSIONS (MM) SHEET STEEL

### 7.1 Overall dimensions

Note: dimension C does not include the lock.  
Lock thickness: 4 mm



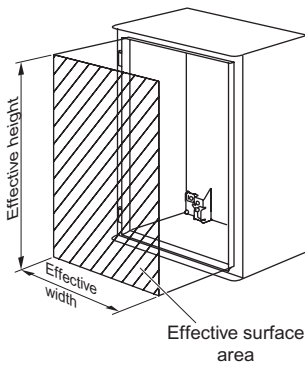
Cabinet dimensions			Dimensions (mm)			
Height	Width	Depth	A	B	C	Q
300	200	160	301,6	199,6	161,5	
400	300	200	401,6	299,6	201,5	250
500	400		501,6	399,6		
600			601,6			
500	500	250	501,6	500	251,5	250
700			702,4			400
800	600	300	802,4	800,6	301,5	500
1000	800		1003,6			600
1200			1203,6			700
1400	800	400	1401	800,6	401,5	900

Sheet steel thickness:

- for height m 600 mm: 10/10e
- for height 700 and 800 mm: 12/10e
- for height M 1000 mm: 15/10e

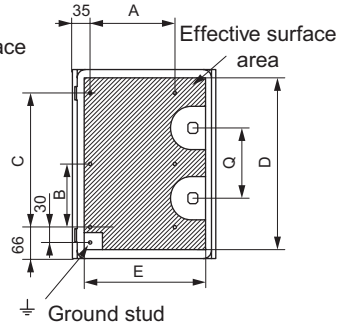
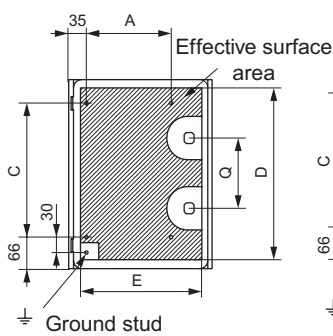
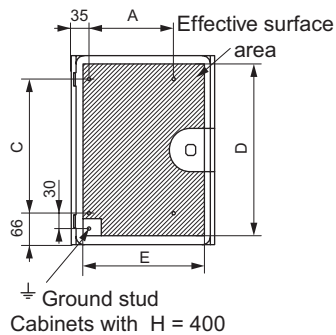
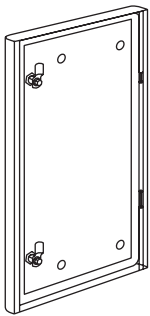
8. EFFECTIVE SURFACE AREAS

8.1 Front panel



Cabinet dimension		Effective space (mm)	
Height	Width	Height	Width
300	200	262	160
400	300	362	260
500	400	462	360
	500		460
600	400	562	360
700	500	662.4	460
800	600	762.4	560
1000	800	963	760
1200		1163	
1400		1360	

8.2 Plain plate door for 1-door cabinet

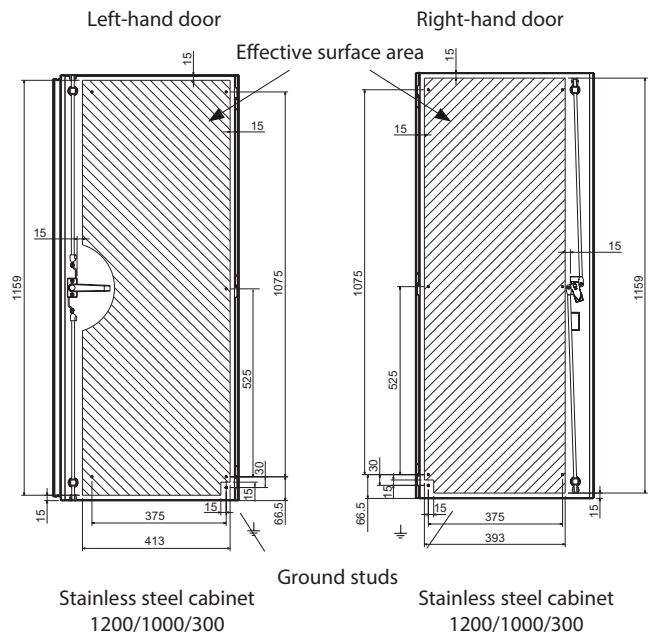


Locking points  
- one only for H ≤ 400,  
- 2 for H ≥ 500.  
Direct closure by cam on each lock.

8.2 Plain plate door for 1-door cabinet (continued)

Cabinet dimension		Dimensions (mm)						Effective surface area (dm <sup>2</sup> )
Height	Width	A	B	C	D	E	Q	
300	200				256	153.5	centred	3.55
400	300	175		275	356	253.5		8.64
500	400	275		375	456	353.5	250	15.42
	500	375				453.5		19.9
600	400	275		475	556	353.5	350	18.95
700	500	375	274	575	656	453.5	400	29.05
800	600	475	324	675	756	553.5		41.15
1000	800	675	424	875	956	754	600	71.38
1200			524	1075	1156		700	86.46
1400			624	1275	1350		750	900

8.3 Plain plate door for 2-door cabinet

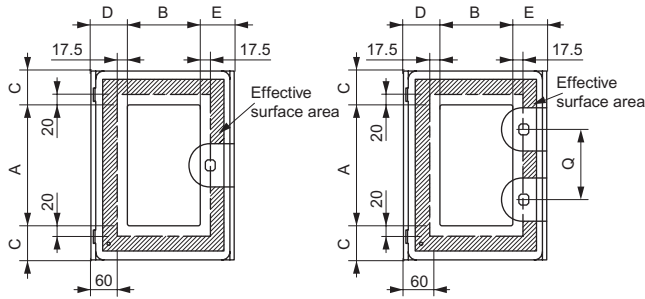


Locking point:  
Three-point closure with handle and lock bolt for the right-hand door, and two-point closure with internal central handle and lock bolts.

Cabinet dimension	Effective surface area (dm <sup>2</sup> )	
	Right-hand door	Left-hand door
1200 x 1000 x 300	45.5	46.1

8. EFFECTIVE SURFACE AREAS (CONTINUED)

8.4 Door with window



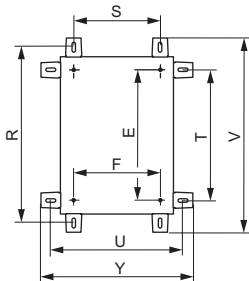
Cabinets with H = 400

Cabinets for H ≥ 500

Height	Width	Dimensions (mm)				
		A	B	C	D	E
400	300	300	128	46.3	79.25	88.25
500	400	400	228			
	500		328			
600	400	500	228			
700	500	600	328			
800	600	700	428	71.3	80.25	89.25
1000		850	628			

9. FIXING EQUIPMENT

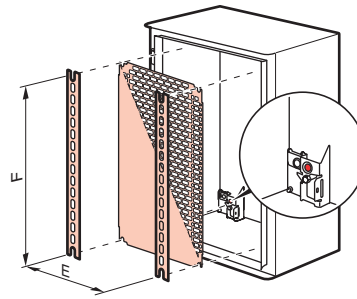
Direct attachments: either Ø 9 screws or M8 studs.  
Fixing lugs: see section 10.4 "Fixing lugs".



Cabinet dimension		Dimensions (mm)							
Height	Width	Cabinet back		Horizontal lugs		Vertical lugs		Maximum dimensions	
		E	F	T	U	R	S	V	Y
300	200	225	169	250	250	353	150	395	292
400	300	325	269	350	350	453	250	495	392
500	400	425	369	450	450	553	350	595	492
	500		469		550		450		592
600	400	525	369	550	450	653	350	695	492
700	500	625	469	650	550	753	450	795	592
800	600	725	569	750	650	853	550	895	692
1000	800	925	769	950	850	1053	750	1095	892
1200						1253		1295	
1200	1000	1125	969	1150	1050	1523	950	1295	1092
1400	800	1325	769	1350	850	1450	750	1492	892

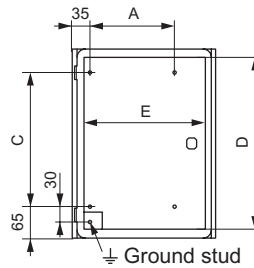
10. EQUIPMENT POSITIONING

10.1 Fixing distances in the cabinet

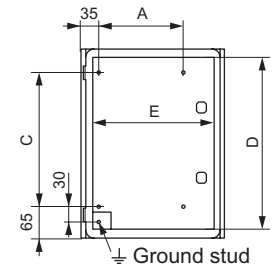


Cabinet dimension	Dimensions (mm)		
	Height	Width	F
300	200	225	125
400	300	325	225
500	400	425	325
	500		425
600	400	525	325
700	500	625	425
800	600	725	525
1000	800	925	
1200	1000	1125	725
			925
1400	800	1325	725

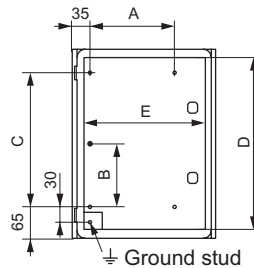
10.2 Fixing distances on the door



Cabinets with H 400



Cabinets with H 500 and 600

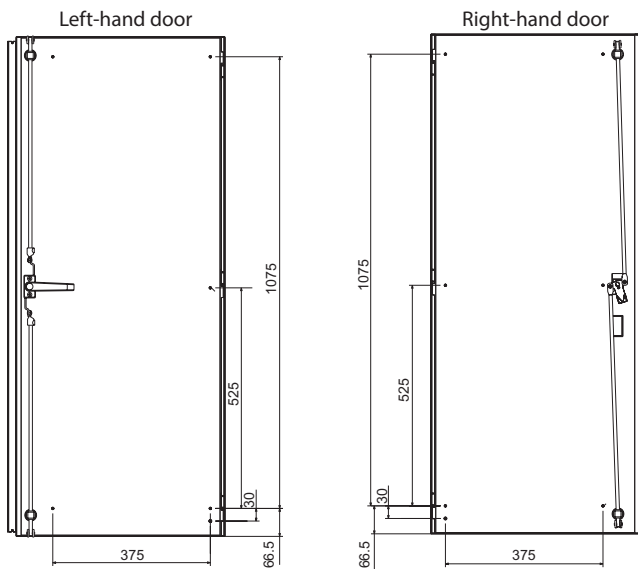


Cabinets with 1 door 700 ≤ H ≤ 1400

10. EQUIPMENT POSITIONING (CONTINUED)

10.2 Fixing distances on the door (continued)

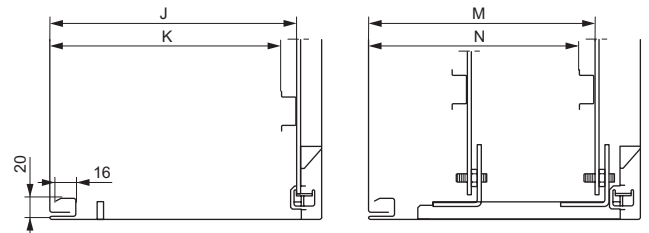
Cabinet		Dimensions (mm)				
Height	Width	A	B	C	D	E
300	200				256	153.5
400	300	175		275	356	253.5
500	400	275		375	456	353.5
	500	375			556	453.5
600	400	275		475	456	353.5
700	500	375	274	575	656	453.5
800	600	475	324	675	456	553.5
1000	800	675	424	875	956	754
1200			524	1075	1156	
1400			624	1275	1350	



1200 x 1000 x 300 cabinets

10. EQUIPMENT POSITIONING (CONTINUED)

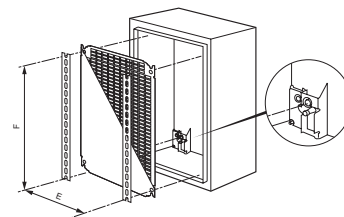
10.3 Depth positioning



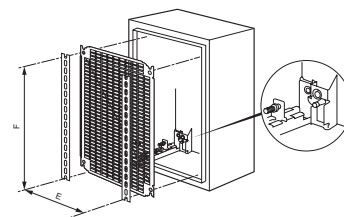
Cabinet depth	To cabinet back (mm)		Slide Cat. No.	Positioning with slides (mm)			
	J	K		M		N	
				min.	max.	min.	max.
160	140	125					
200	180	165					
250	230	215	0 367 43	93	213	78	198
300	280	265	0 367 44		263		248
400	380	365	0 367 45		363		348

11. EQUIPEMENT

11.1 Direct mounting of equipment at back of cabinet (M8 screws)

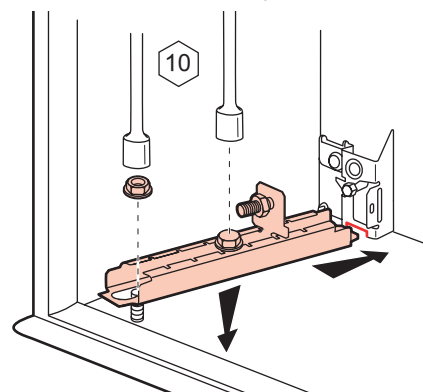


- or slide with M8 nut adjustment (optional)



Equipment adjustment

Possible for 600 x 600 cabinet and beyond.  
With Cat. No. 0 367 43/44/45.  
Set of 4 slides for cabinet depths 250, 300 and 400.

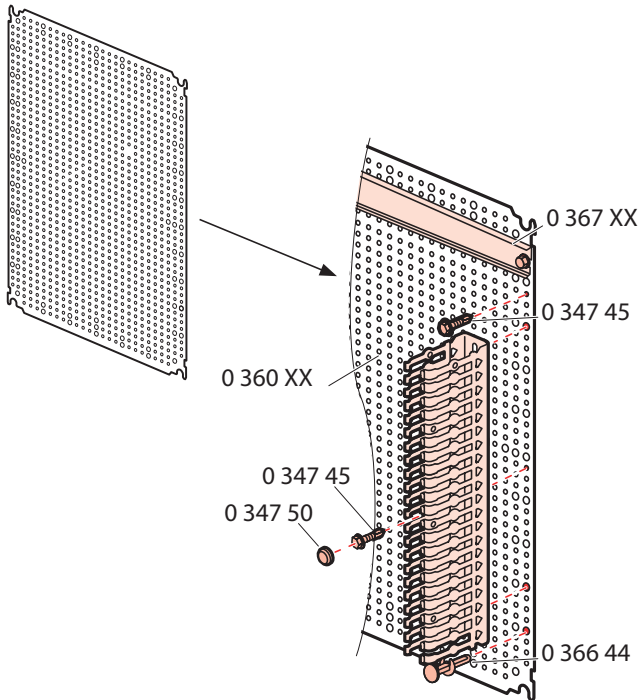


## 11. EQUIPEMENTS (CONTINUED)

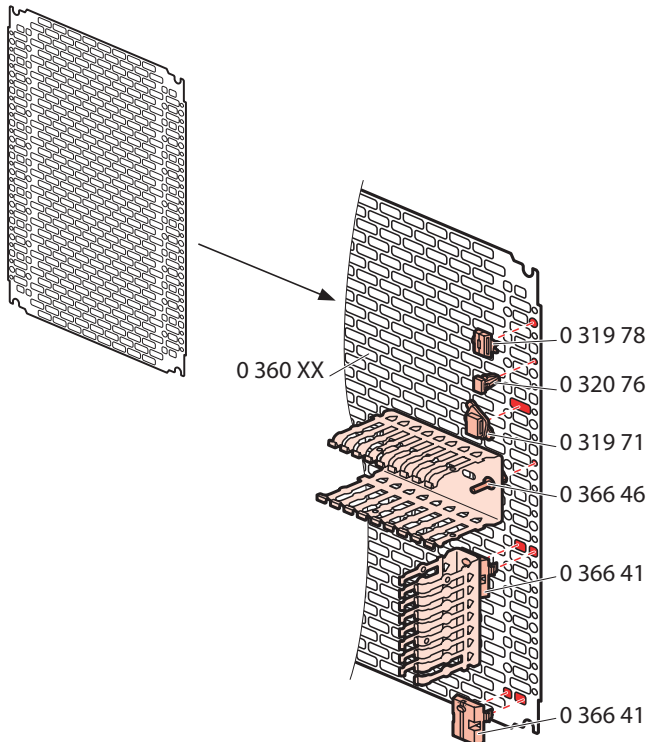
### ■ 11.2 Lina 12.5 and Lina 25 plain plates

- Galvanised steel plain plates and Lina 12.5
- Lina 12.5: with holes for the installation of equipment without marking, automatic alignment.
- Lina 25: zinc-plated steel.

Lina 12.5



Lina 25

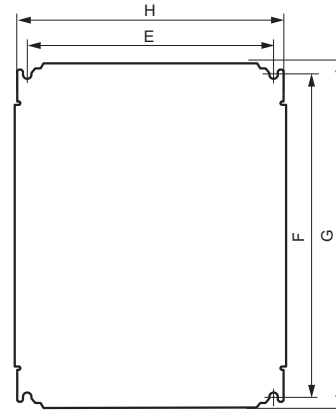


### ■ 11.2 Lina 12.5 and Lina 25 plain plates (continued)

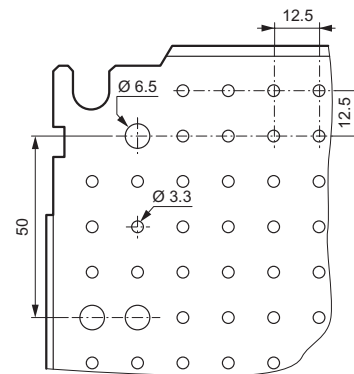
#### • Dimensions

Lina 12.5 plain plates and Lina 25 perforated plates.

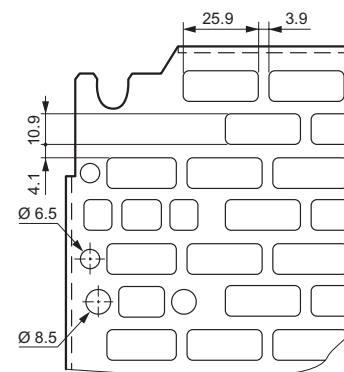
Plain



Lina 12.5 details



Lina 25 perforated details



11. EQUIPEMENTS (CONTINUED)

■ 11.2 Lina 12.5 and Lina 25 plain plates (continued)

• Dimensions (continued)

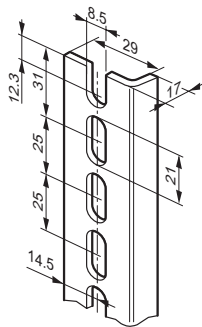
Lina 12.5 plain plates and Lina 25 perforated plates

Cabinets		Lina 12.5 or Lina 25 plain plates		Effective surface area for equipment (dm <sup>2</sup> )	Mounting of plates		Plain	Lina 12.5	Lina 25
Height	Width	G	H		F	E	Cat. No.	Cat. No.	Cat. No.
300	200	256	156	4.2	225	125		0 360 00	0 360 07
400	300	356	256	8.2	325	225	0 360 52	0 360 04	0 360 12
500	400	456	356	15.2	425	325	0 360 55	0 360 09	0 360 15
	500		456	19.7		425	0 360 71	-	-
600	400	556	356	18.7	525	325	0 360 56	0 360 22	0 360 16
700	500	656	456	28.7	625	425	0 360 58	0 360 31	0 360 18
800	600	756	556	40.7	725	525	0 360 59	0 360 33	0 360 19
1000	800	956	756	70.7	925	725	0 360 61	0 360 42	0 360 21
1200				85.7	1125		0 360 64	0 360 46	0 360 87
	1000	1156	956	108.7	1125	925	0 360 65	0 360 47	0 360 88
1400	800			1356	756	100.7	1325	725	0 360 67

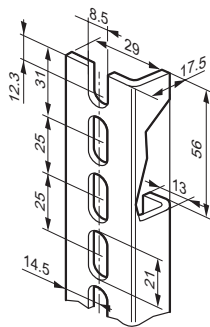
■ 11.3 Sectioned uprights and Lina 25 rails to create a frame

Lina 25 sectioned uprights

Réf. 0 361 50/51/52/53/54/55/56

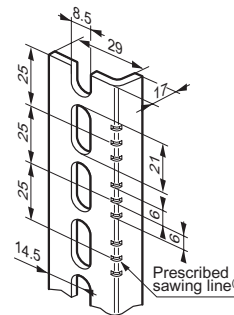


Réf. 0 361 58/59



Sectioned uprights to be cut

Réf. 0 361 92



(1) Prescribed sawing line for upright height step of 25. The other two provide the height of uprights  
Cat. Nos. 0 361 50/51/52/53/54/55/56.

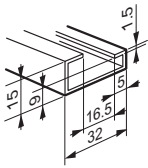
Cabinets height (mm)	Upright length (mm)	Upright Cat. No. (set of 2)
300	237	0 361 50
400	337	0 361 51
500	437	0 361 52
600	537	0 361 53
700	637	0 361 54
800	737	0 361 55
1000	937	0 361 56
1200	1137	0 361 58
1400	1337	0 361 59
Upright to be cut, length 3 m		0 361 92



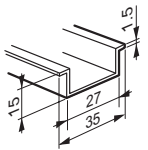
11. EQUIPEMENTS (CONTINUED)

11.4 Rails

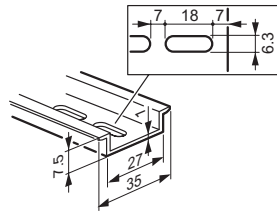
Cat. No. 0 374 02



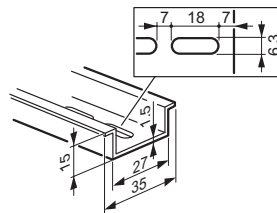
Cat. Nos. 0 367 80/81/82/83/84/85/86  
0 374 07



Cat. No. 0 477 22



Cat. No. 0 477 23

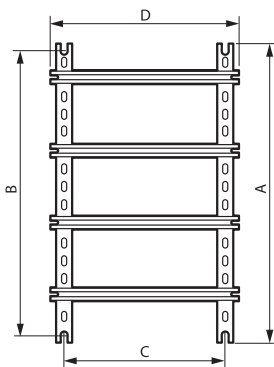


Cabinet width (mm)	Rail length (mm)	Rail Cat. No.
300	243	0 367 80
400	343	0 367 81
500	443	0 367 82
600	543	0 367 83
800	743	0 367 84
1000	943	0 367 85
1200	1143	0 367 86

2m rail to be cut

- Cat. No. 0 374 02 asymmetrical to the EN 60715 standard
- Cat. No. 0 374 07 symmetrical depth 15 mm
- Cat. No. 0 477 22 symmetrical depth 7.5 mm with oblong slots
- Cat. No. 0 477 23 symmetrical depth 15 mm with oblong slots

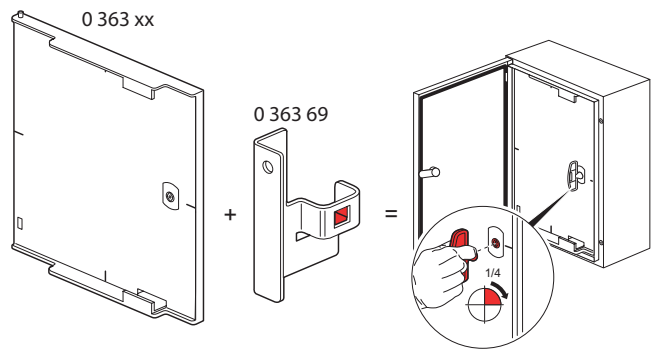
Frame assemblies with Lina 25 rails and uprights



Frame assemblies with Lina 25 rails and uprights (continued)

Envelope dimensions (mm)		Height of uprights	Rail length	Frame mounting	
Height	Width			B	C
400	300	337	243	325	225
	400	437	343	425	325
500	500		425		
600	400	537	343	525	325
700	500	637	443	625	425
800	600	737	543	725	525
1000	800	937	743	925	725
1200		1137		1125	725
1400	1000	1337	943	1325	925
	800		743		725

11.5 RAL 7035 internal doors



Mounted using Cat. No. 0 363 69.

IP xxB.

Glass fibre-filled polyester, thickness: 4 mm.

Self-extinguishing at 960°C according to the IEC EN 60695-2-11 standard.

Grid integrated into the rear panel.

Centre marked on front panel.

Distance between cabinet door and adjustable internal door: 44 to 52 mm - 5 mm for glass door.

Left or right opening with built-in grip.

Captive hinge pins.

Double bar lock: 1 lock for height 400 to 600 mm, 2 locks from 700 mm height.

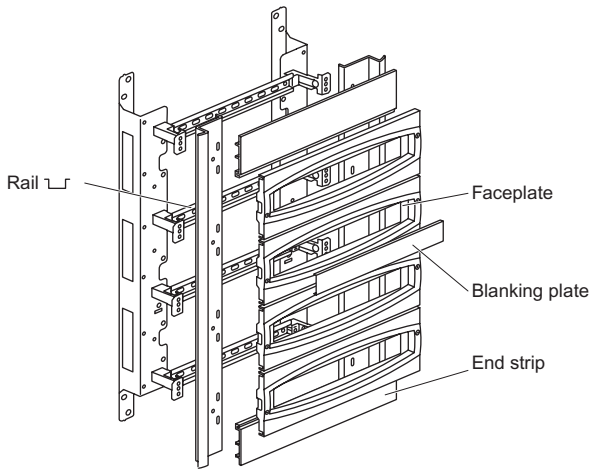
Compatible with key cylinders and other imprints.

Cabinets H x L	Dim. (mm) Height x width	Effective dim. (mm) Height x width.	Inner door Cat. No.
400 x 300	341 x 236	305 x 185	0 363 59
500 x 400	441 x 336	405 x 250	0 363 60
600 x 400	541 x 336	505 x 250	0 363 61
700 x 500	642 x 436	500 x 340	0 363 62
800 x 600	742 x 536	600 x 440	0 363 63
1000 x 800	942 x 736	800 x 640	0 363 64
1200 x 800	942 x 736	800 x 640	0 363 65 <sup>(1)</sup>

<sup>(1)</sup>Door identical to Cat. No. 0 363 64 with 200 mm upper or lower reservation

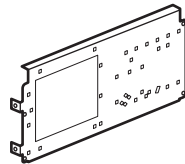
11. EQUIPMENT (CONTINUED)

■ 11.6 Chassis with RAL 7035 insulated faceplates



Cabinet		Chassis	
H x L x P (mm)	Cat. No.	Capacity	
400 x 300 x 200	0 361 01	3 rows of 10 modules	
500 x 400 x 200	0 361 02	3 rows of 16 modules	
600 x 400 x 250	0 361 03	3 rows of 16 modules	
700 x 500 x 250	0 361 05	4 rows of 21 modules	
800 x 600 x 300	0 361 06	4 rows of 27 modules	
1000 x 800 x 300	0 361 09	5 rows of 38 modules	
1200 x 800 x 300	0 361 10	6 rows of 38 modules	

Mounting plate for chassis



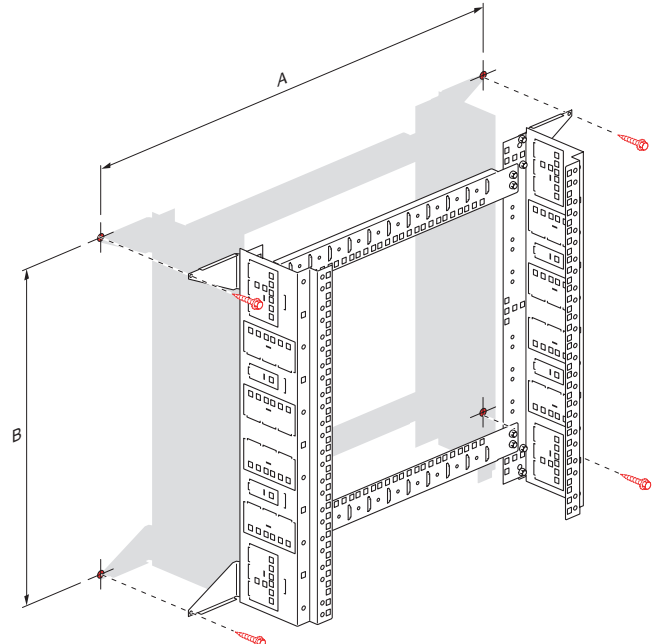
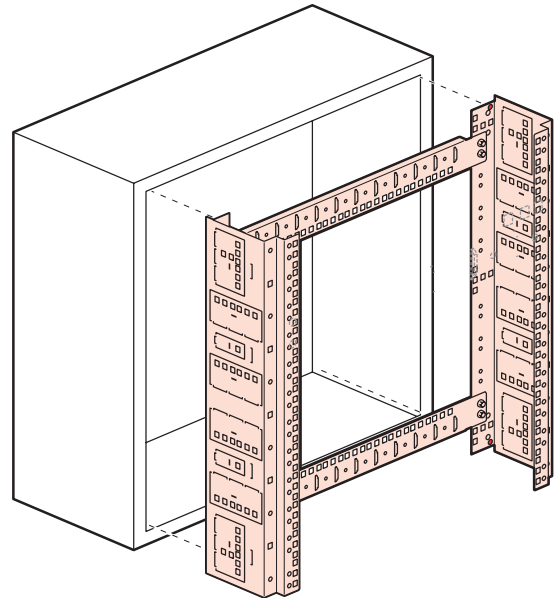
Chassis		Mounting plate	
Cat. No.	H x L x P (mm)	Cat. No.	For power devices
0 361 06	800 x 600 x 300	0 360 44	DPX 125, DPX 160 or Vistop 160A
0 361 09	1000 x 800 x 300	0 360 45	DPX 125, DPX 160 DPX 250 ER Vistop 160 A or Vistop 250 A
0 361 10	1200 x 800 x 300		

■ 11.7 Châssis VDI

Used to integrate 19" VDI equipment into 800 mm wide, 300 mm deep stainless steel Atlantic cabinets.

For 400 mm wide cabinets, the chassis accepts the integration of VDI equipment from the XL VDI mini cabinet.

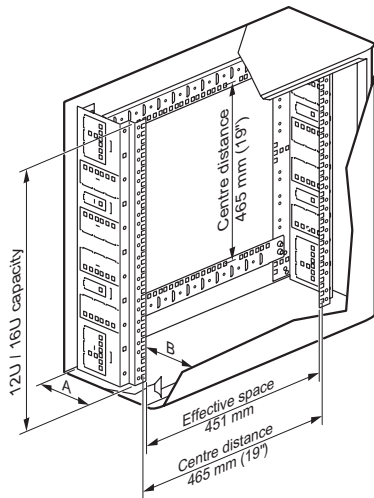
Can be secured directly to the wall for a wall-mounted chassis (without cabinet).



Cat. No.	A (mm)	B (mm)
0 462 28	725	525
0 462 29	725	725

11. EQUIPMENT (CONTINUED)

11.7 VDI chassis (continued)



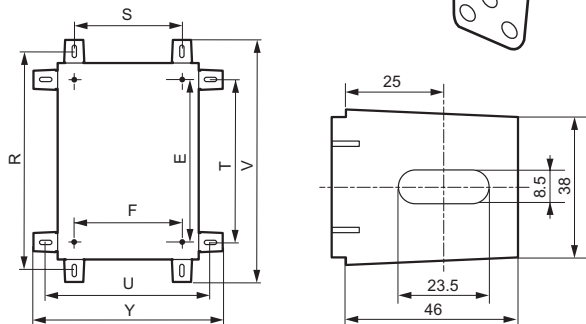
Atlantic cabinets					
Chassis Cat. No.	Capacity	Cat. Nos	Dimensions	Effective dimensions under door	
				A (mm)	B (mm)
0 462 28	12 U	0 352 05/25/45	600 x 400 x 250	145	105
0 462 29	16 U	0 352 11/31/47	800 x 600 x 300	145	155

11.8 Cabinet mounting

Directly to the wall or using mounting lugs.  
304 L or 316 L stainless steel plate.  
Rated loading: 300 kg per cabinet.  
Can be used for horizontal or vertical mounting.



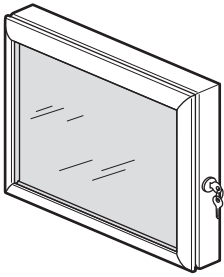
Cat. No. 0 364 06/16



Cat. Nos.	Vertical lugs		Horizontal lugs		V	Y	E	F			
	R	S	T	U							
0 352 00/40	350	150	250	250	392	292	225	169			
0 352 01/21/41	450	250	350	350	492	392	325	269			
0 352 02/22/42	550	350	450	450	592	492	425	369			
0 352 55/75		550		550		592		469			
0 352 03/24	650	350	550	450	692	492	525	369			
0 352 04	350		250		392		225				
0 352 05/25/45	650		550		692		525				
0 352 06/26/46	750	450	650	550	792	592	625	469			
0 352 07	450	350	350	450	492	492	325	369			
0 352 08											
0 352 09		550							550	650	692
0 352 11/31/47	850	750	750	850	892	892	725	769			
0 352 12											
0 352 13/33/53			1050		950		1092		925		
0 352 14/76	1250	1150	1292	1125	1492	1092	1325	969			
0 352 15	1450	1350	1492	1325							
0 352 16	1250	950	1150	1050			1292		1125		

## 12. ACCESSORIES

### 12.1 Hinged glass doors



IP 54

Anodised aluminium frame, opening to 120°.

Polycarbonate window, thickness 3 mm. Neoprene seal.

455 key lock.

Supplied with drilling template.

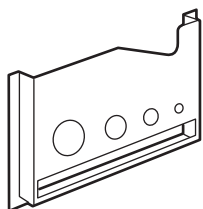
Protect devices, avoid unintentional operations and allow devices to be viewed from the front.

Cat. No.	Outside dimensions (mm)			Window dimensions (mm)		Effective depth (mm)
	Haut.	Larg.	Prof.	Haut.	Larg.	
0 475 45	300	400	50	230	330	42
0 475 46	400	400	50	330	330	42
0 475 47	500	500	50	430	430	42
0 475 48	600	400	50	530	330	42
0 475 49	600	600	50	530	530	42

Cat. No.	Dimensions (mm)			
	A	B	D	E
0 475 45	300	400	230	330
0 475 46	400	400	330	330
0 475 47	500	500	430	430
0 475 48	600	400	530	330
0 475 49	600	600	530	530

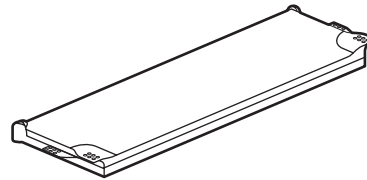
### 12.2 Self-adhesive plastic document holders

- **Cat. No. 0 365 80**, 340 x 235 mm (inside dimensions: 310 x 200 x 18 mm) and **Cat. No. 0 365 81**, 260 x 165 mm (inside dimensions: 230 x 130 x 18 mm).



### 12.2 Self-adhesive plastic document holders (continued)

- **Cat. No. 0 365 82**, 325 x 120 mm (inside dimensions: 324 x 120 x 18 mm). IP 50 closure RAL 9002. Capacity: approximately fifteen A4 sheets folded in half.



- **Cat. No. 0 097 99**, 305 x 220 mm (format A4) Transparent, flexible.

### 12.3 Contact de porte

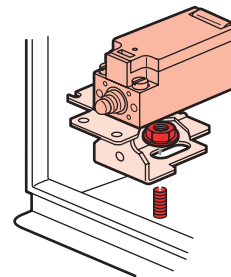
**Cat. No. 0 363 13**

3 A - 250 V

1 contact NF - 1 contact NO

For example, can shut off the air conditioning and power the lights when the door is opened.

Supplied with mounting lugs.



### 12.4 Lighting kit

**Cat. No. 0 363 12**

Supplied with 8 W fluorescent tube - Ø 16 mm - 230 V - 50 Hz

Class I - IP 20

Shielded in accordance with EN 50015

Equipped with a switch

Connection by strip

Dimensions: 350 x 61 37 mm

### 12.5 Protective conductor lug

**Cat. No. 0 367 36**

Set of two support brackets for copper bar or rail for terminal block.

