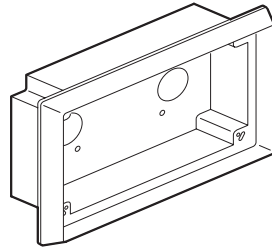


Batibox™
Flush-mounting box for concrete

Cat. No: 0 895 36



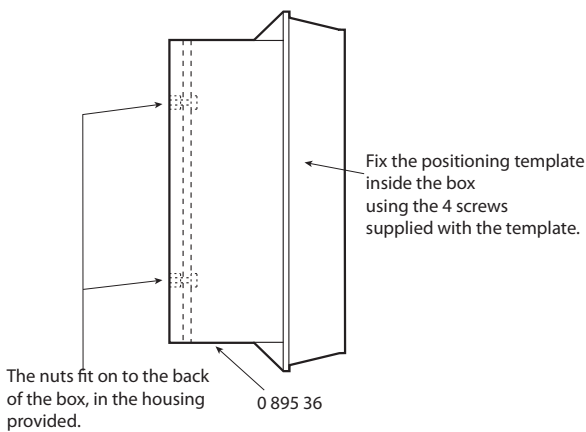
1. USE

Junction with high capacity concrete.
 Product supplied with 4 nuts (to fix the positioning template 0 895 38).

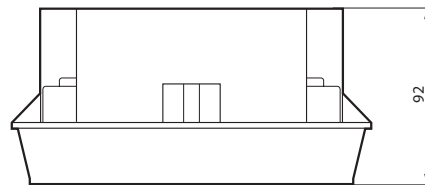
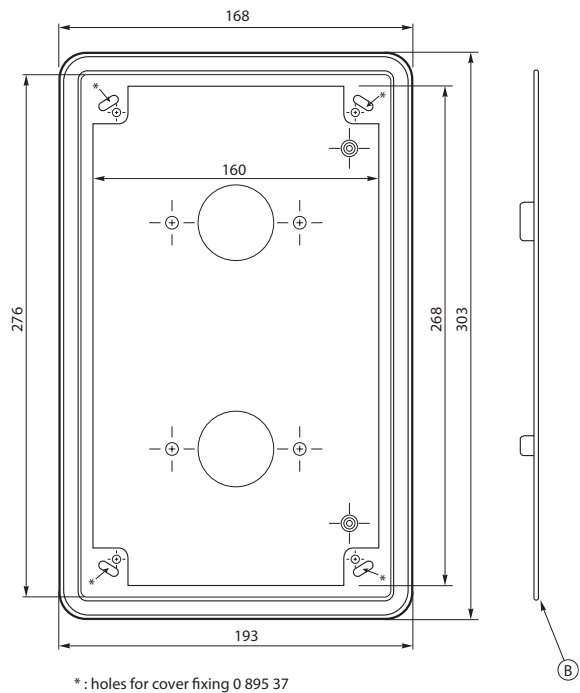
2. RANGE

| Description | Reference |
|--|-----------|
| Junction box for high capacity concrete Entries: sides and background | 0 895 36 |

3. OPERATION



4. DIMENSIONS (mm)



Inside depth: 88

5. TECHNICAL CHARACTERISTICS

■ 5.1 Mechanical characteristics

Impact tests: IK 04

■ 5.2 Material characteristics

Box: PE

Self-extinguishing: 650° C / 30 s

■ 5.3 Climatic characteristics

Storage temperature: - 5° C to + 60° C

Use temperature: - 5° C to + 40° C

Max. temperature during the consumption process: 90° C

6. ACCESSORIES

Cat. No 0 895 37: Finishing cover

Cat. No 0 895 38: Positioning template. Mounting possible on metal spur
using magnet 700 N Cat. No 0 895 22