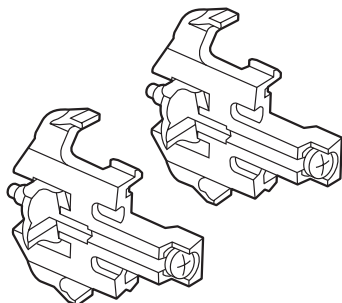


IK08 Plexo flush-mounting adapter

Cat. No(s): 696 47

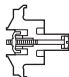
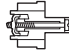
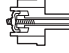


1. TECHNICAL CHARACTERISTICS

Weatherproof wiring device system designed for residential and professional technical locations (garages, cellars, car parks, workshops and industrial kitchens, etc) as well as for outdoor applications (patios, gardens, camp sites, etc).

Flush-mounted adapter enabling upgrading from IK07 to IK08 on flush-mounting sockets and switches (one-gang only).

2. RANGE

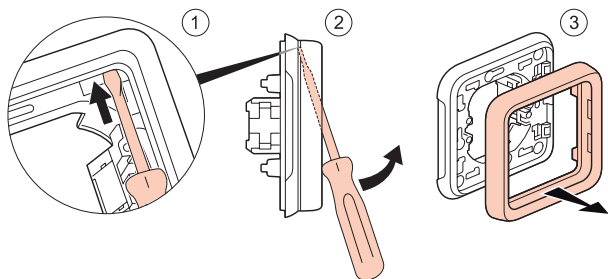
Description	Cat. No.	IK	Weight
 Flush-mounting adapter IK08	696 47	08	3,4 g
 Standard claw	849 00	07	3,3 g
 Long claw	849 01		

3. INSTALLATION

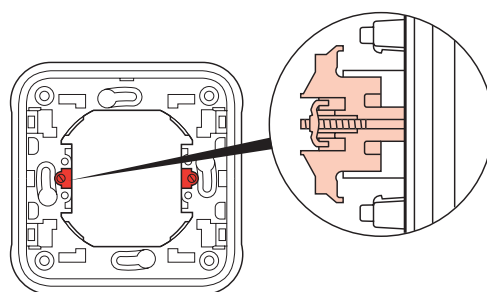
The "IK08 adapter" claws are compatible with all forms of support attachment (by screw, by claw or on solid faceplate).

3.1 Flush-mounting only

- Unclip plate

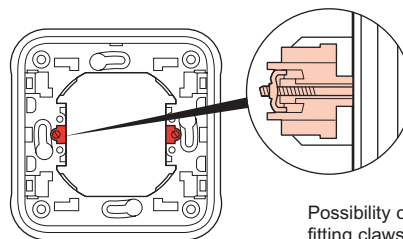


- Attachment with claws on flush-mounting box



IK08

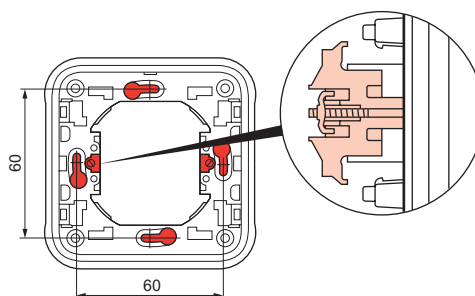
- Attachment with claws on flush-mounting box



IK07

Possibility of fitting claws:
Cat. No. 849 00 or
Cat. No. 849 01 (long claws)

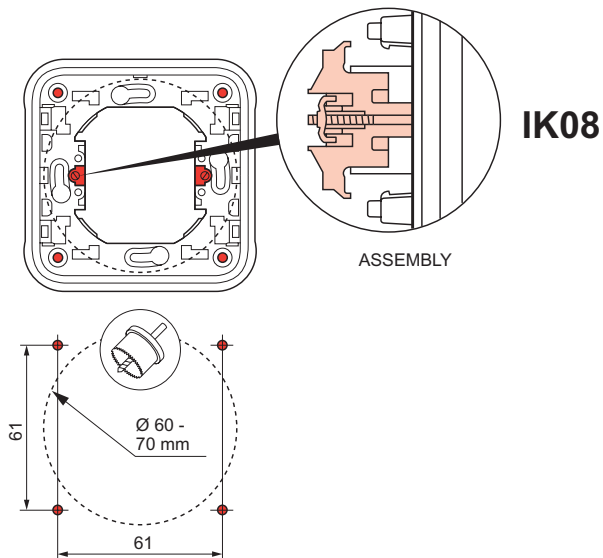
- Attachment with screws on flush-mounting box



IK08

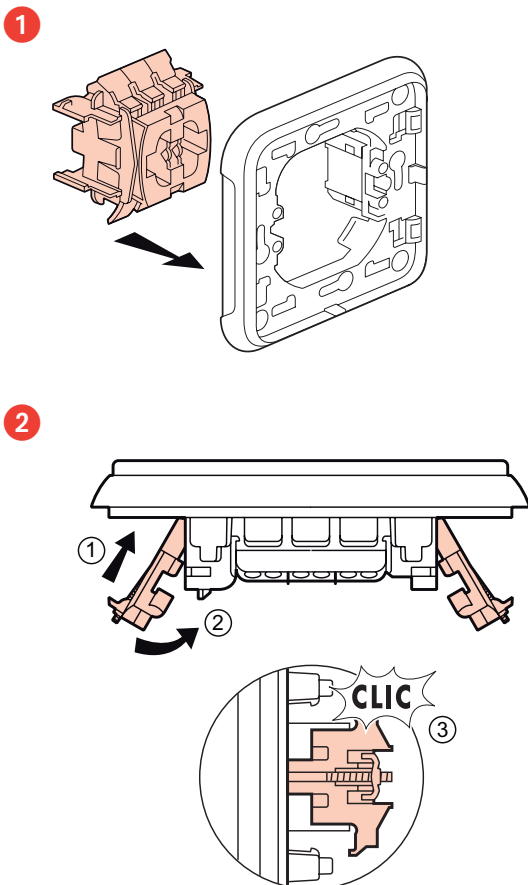
3. INSTALLATION (continued)

- On solid faceplate (without accessories) using 4 Ø 4 mm screws on metal or plastic cabinets. Drill support material (diameter 60 - 70 mm) using hole saw or hole punch.



4. ASSEMBLY

- The mechanism must be assembled before mounting the 2 IK08 accessory claws.



5. GENERAL CHARACTERISTICS

5.1 Mechanical characteristics

Protection rating:
- IK 08 (696 47)

5.2 Material characteristics

Claws made of PC (Polycarbonate)

5.3 Packaging

Supplied in boxes of 10 packed in boxes of 200.