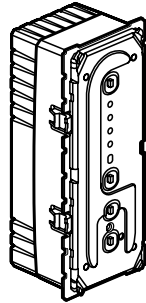


**Céliane™**  
**1000-W dimmer, all loads**

Cat. No(s): 670 86



**CONTENTS**

Page

1. General characteristics.....	1
2. Range.....	1
3. Fitting.....	1
4. Overall dimensions.....	1
5. Connection.....	1
6. Operation.....	3
7. Technical data.....	3
8. Cleaning.....	3
9. Conformity - approvals.....	3

**1. GENERAL CHARACTERISTICS**

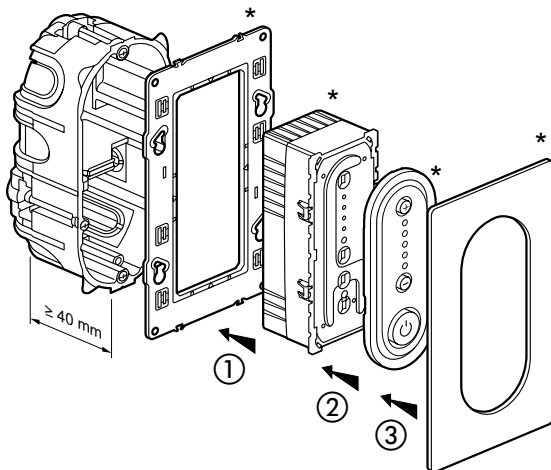
Dimmer switch for controlling lighting devices. Dimmer switch with level memory for switching on with the same light intensity used before switching off or mains cut-off.

Cat. No.	100 VA240 Vac		100 Vac		Use	
	Max.	Min.	Max.	Min.		
670 86	1000 W	100 W	500 W	50 W		Incandescent lamp
	1000 W	100 W	500 W	50 W		230 V halogen lamp
	1000 VA	100 VA	500 VA	50 VA		Halogen lamp with ferromagnetic transformer
	1000 VA	100 VA	500 VA	50 VA		Halogen lamp with electronic transformer

**2. RANGE**

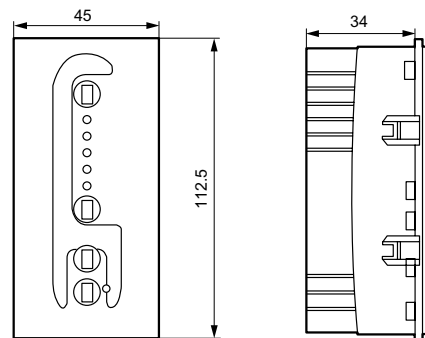
	Description	Cat. No.	Number of gangs	Connection method	Weight (g)
	Dimmer/Remote control switch, 1000 W, all loads	670 86	2	With screws	151.1

**3. FITTING**



- \* not supplied with the mechanism
- 1 - The mechanism is clipped to the support
  - 2 - The rocker/cover plate assembly is clipped to the mechanism
  - 3 - The plate is clipped to the support

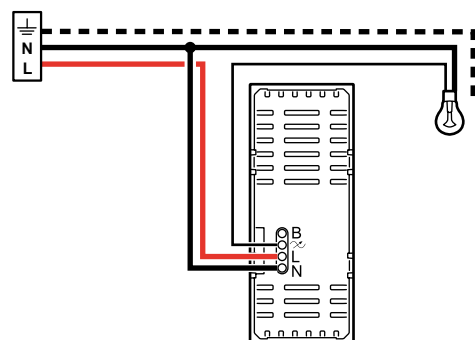
**4. OVERALL DIMENSIONS**



**5. CONNECTION**

Number of terminals	4
Terminal type	Screw-type connector
Terminal capacity	2 X 1.5 mm <sup>2</sup> ou 1 X 2.5 mm <sup>2</sup>
Tool	Flat-blade screwdriver 3.5 mm or Philips No. 1 or Posidriv No. 1 or mixed size 0

**5.1 Connection of one lighting point in replacement of a switch (factory setting)**



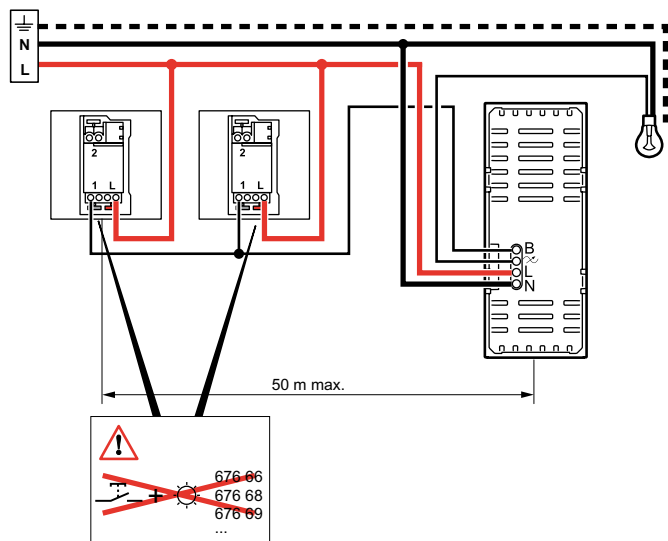
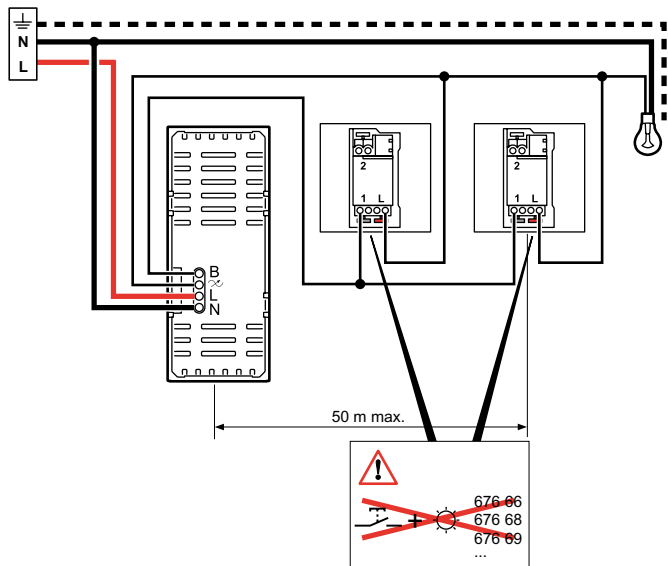
**5. CONNECTION (cont'd)**

**5.2 Connection of several lighting points by combining pushbuttons (factory setting)**

(Light dimming function from all control points)

Use of the NO pushbutton used with the dimmer:

- Short press to switch ON/OFF (< 2 s)
- Long press to vary the light level (> 2 s)



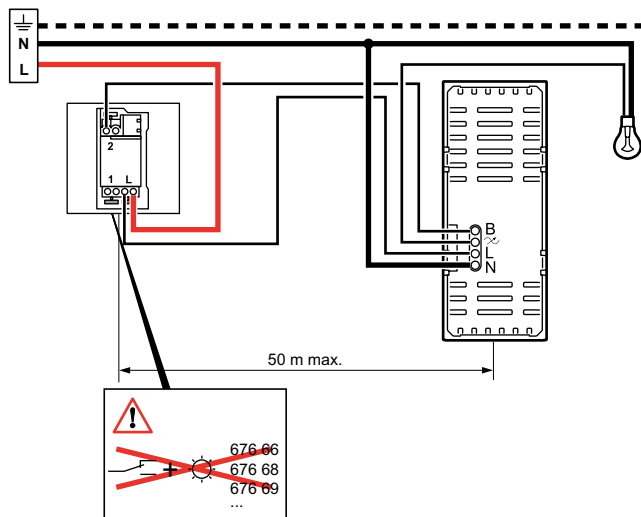
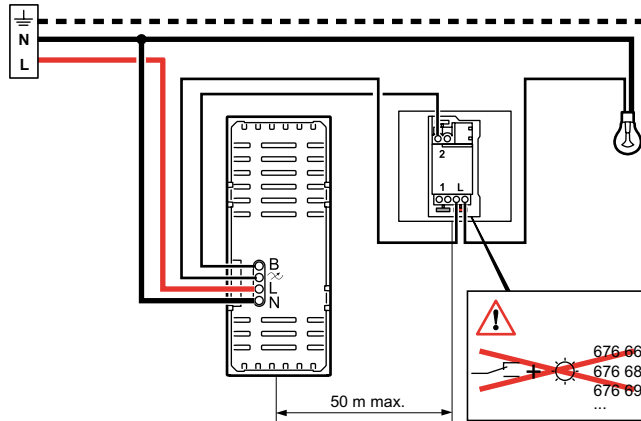
**Caution:**

The dimmer includes a «remote control switch» function that is incompatible with an installation that already contains remote control switches and pushbuttons.

**5. CONNECTION (cont'd)**

**5.3 Connection of 2 lighting points with a two-way switch (light dimming function from a dimmer)**

For this type of use, terminals L and 1 of the mechanical switch should be interconnected.



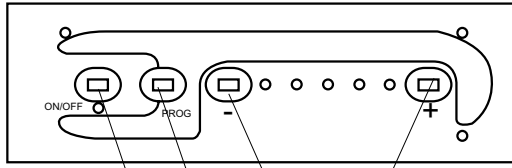
**Initialization:** if the rockers are installed, unclip them, and then, when switching on, press the ON and OFF buttons simultaneously for 2 seconds.

**Caution:**

The dimmer can be connected to either the lamp or phase side. Failure to strictly comply with wiring diagrams and failure to keep within the values indicated in the table (voltage, power, temperature, frequency, etc.) can destroy the device. The pushbuttons linked to the dimmer must not be illuminated.

**6. OPERATION**

To initialize the various types of use, unclip the rockers, then press the keys indicated in the table below for 2 seconds:

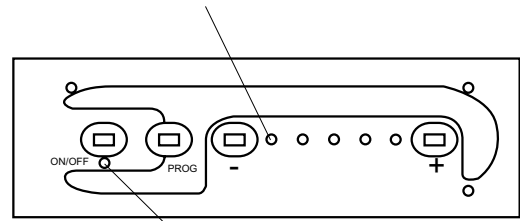


Types of use	ON/OFF	PROG	-	+	Operations
Reset to factory configuration (load recognition, capacitive mode, pushbutton assembly, level memory)	X 		X	X	
Level memory activated	X			X	
Level memory deactivated	X		X		
Assembly by combining pushbuttons			X	X	
Assembly connected to a two-way switch	X	X			
Override Capacitive mode (no load recognition)	X 	X	X		
Override inductive mode (no load recognition)	X 	X		X	

Note: automatic inductive mode = steady green LED. (●)

**6. OPERATION (cont'd)**

Note: The dimmer is equipped with a red LED located behind the rockers; this will switch on in the event of an overload, in which case the dimmer will switch off for 60 seconds.



Information on the inductive or capacitive operating mode.

**7. TECHNICAL DATA**

**7.1 Mechanical characteristics**

Impact tests: IK 02  
 Penetration by solid/liquid bodies: IP 20 } No rocker

**7.2 Material characteristics**

Base + cover: Polycarbonate

**7.3 Electrical characteristics**

Self-extinguishing: 650°C / 30 s  
 Voltage: 100 / 240 VAC  
 Max. consumption: 0.8 W in standby mode  
 7 W with load (to 66% of the dimming level)

**7.4 Climatic characteristics**

Storage temperatures: -10°C to +60°C  
 Operating temperatures: 0°C to +35°C

**8. CLEANING**

No cleaning

**9. CONFORMITY - APPROVALS**

Approvals in process: NF - BBJ - VDE - GOST