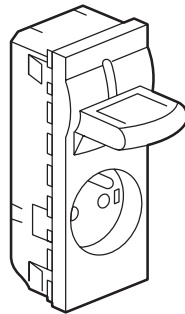


**2 P+E "Access Design" - antimicrobial*
 Franco-Belgian Standard**



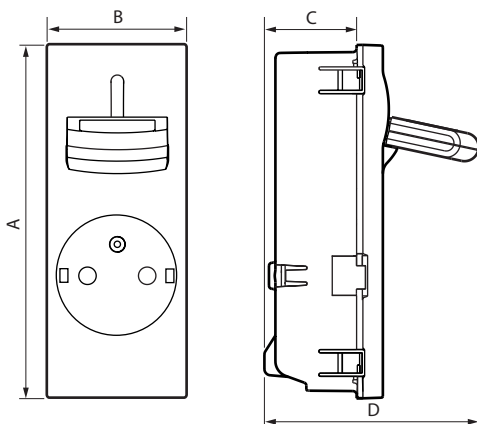
1. USE

2 P+E "Access Design" German standard.
 This product is made of silver-ion based antimicrobial* material.
 This technology eliminates bacteria, fungi and viruses without creating any immunisation or resistance effects (physical, rather than chemical, destruction).
 Particularly suitable for healthcare establishments (hospitals, clinics, nursing homes, laboratories, waiting rooms, etc.) and more generally for areas subject to hygiene restrictions (industrial, shared and restaurant kitchens, waste, etc.).
 This product offers an additional way of ensuring the non-proliferation of bacteria, fungi and viruses without interfering with cleaning protocols. The mechanism can be flush-mounted or surface-mounted.
 To be equipped with plates.
 Fixing with clips.

2. RANGE

Description	White antimicrobial*
2 P+E "Access Design". With lever - simple action on the lever allows easy plug-in or unplug - 5 modules	0 771 31

3. DIMENSIONS (mm)



A	B	C	D
112.5	45	29.5	68.5

4. CONNEXION

Type of terminals: automatics
 Number of terminals: 3
 Terminals capacity: 2 x 2.5 mm²
 Stripping length: 13 mm

5. FUNCTION

The action on the lever decreases the effort at the introduction of the plug, facilitates the extraction of the plug.
 Maximum lever tipping force: 22.8 N (maximum recommended effort per specialist: 30 N).
 Without action on the lever, works like a traditional 2 P+E socket.

6. TECHNICAL CHARACTERISTICS

- **6.1 Mechanical characteristics**
 Impact resistance: IK 04
 Penetration against solid bodies and liquids: IP 20
- **6.2 Material characteristics**
 Base: Polycarbonate
 Cover plate: Polycarbonate White RAL 9003 + antimicrobial* surface treatment.
 Lever: ABS White RAL 9003 + antimicrobial* surface treatment.
 Halogen-free
 UV-resistant
 Self-extinguishing:
 850°C/30 s for insulating parts holding live parts in place
 650°C/30 s for the other insulating part
- **6.3 Electrical characteristics**
 Voltage: 250 V~
 Current: 16 A
- **6.4 Climate characteristics**
 Storage temperature: - 10°C to + 70°C
 Usage temperature: - 5°C to + 35°C

2 P+E "Access Design" - antimicrobial* Franco-Belgian Standard

7. CLEANING

Clean the surface with a cloth.

Do not use acetone, tar-removing cleaning agents or trichloroethylene.

■ 7.1 Resistance to cleaning products

Resistant to the following products: hexane (NF C 61-314), methylated spirit, soapy water, diluted ammonia, bleach diluted to 10%, window-cleaning products, pre-impregnated wipes.

■ 7.2 Resistance to hospital grade cleaning products

Resistant to the following products: Anios, Surfanios, Bactilyline, diluted hydrogen peroxide (35%).

Caution: Always test before using other special cleaning products.

8. STANDARDS AND APPROVALS

Compliant with installation and manufacturing standards.

See e-catalogue.

* Contains silver ions that limit the development of bacteria on the surface.