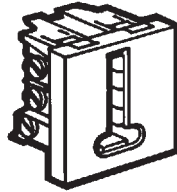


## Mosaic™ 8-contact telephone socket

Cat. No.(s): 787 38 - 792 38



### 1. TECHNICAL CHARACTERISTICS

Telephone socket fitted with an 8-terminal contact switch.  
Accepts either 6- or 8-terminal plugs (plug Cat. No. 512 38 for example).  
Complies with France Telecom technical specifications No. ST - PAA - TPA - PRI 537  
Accepts plugs complying with France Telecom technical specifications ST - PAA - TPA - PRI 537

### 2. MOUNTING

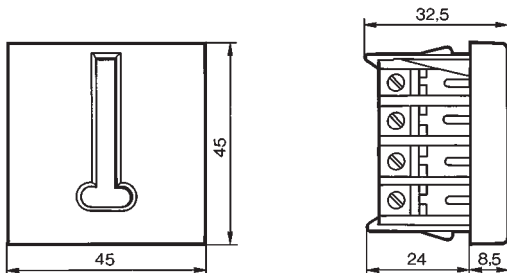
Direct mounting by clipping on:  
- Legrand Mosaic support frames  
- Legrand Batik flush-mounting boxes  
- Legrand DLP columns and conduits  
- Legrand Mosaic plates

Mounting possible with adaptor 50 x 50 Cat. No. 748 62 in place of an old Mosaic.

### 3. MATERIAL CHARACTERISTICS

White polycarbonate RAL 9010  
Self-extinguishing: 750 ° C / 5 sec.  
Resistance to fire V0 according to UL 94

### 4. DIMENSIONS



### 5. INSTALLATION

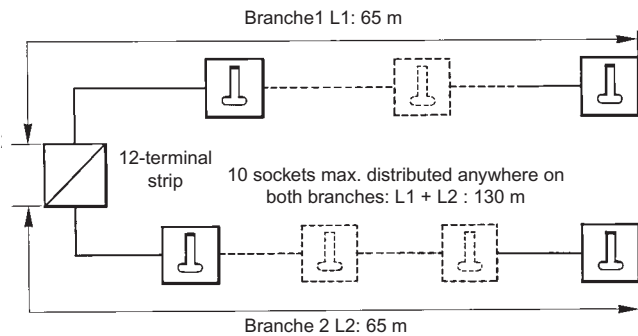
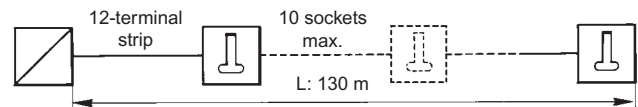
#### France Telecom authorization for use

- Not allowed on claw-mounted support frame.
- For safety reasons, installing a telephone socket and a power socket inside the same box is prohibited.

#### France Telecom recommendations

- Make provision for two sockets, one of them being located close to a power socket.
- Install sockets at a height of 8 to 25 cm above ground level.
- The internal installation must be ISDN (Numeris) compatible.

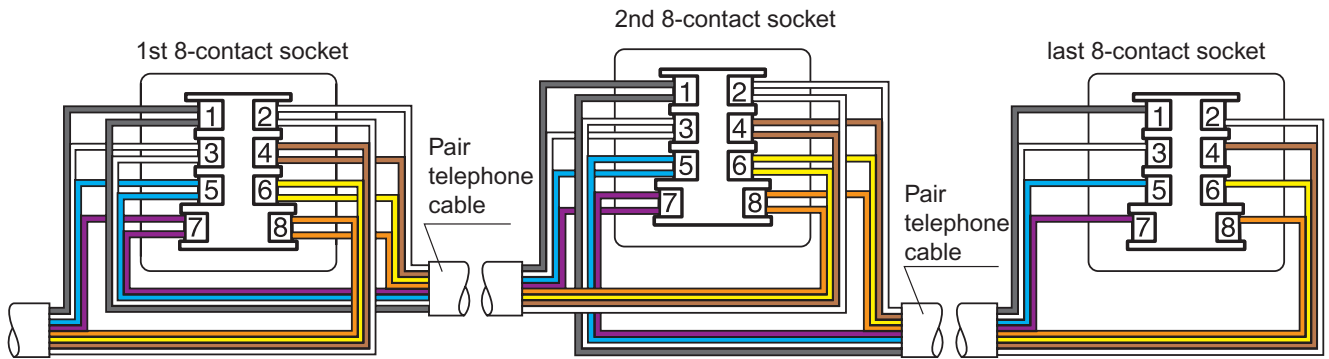
1<sup>er</sup> cas :



# 8-contact telephone socket

## 6. WIRING

### 6.1 Wiring of sockets



Connect the sockets in parallel: all wires must be connected.  
 Use France Telecom approved cable, 4 pairs, Ø 0.6 mm, type 278-4.6.  
 Follow contact numbers and wire colours.

