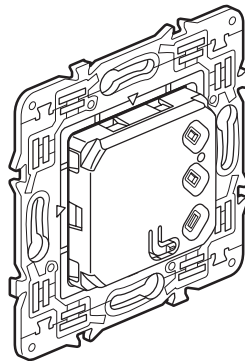


**Céliane™**  
**RTS Somfy**

Cat No(s): 672 69



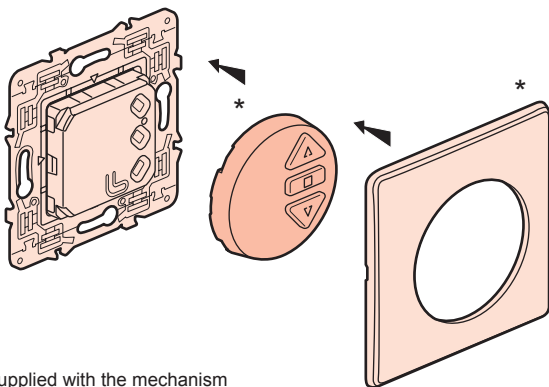
**1. GENERAL CHARACTERISTICS**

The RTS Somfy switch enables remote up/down control of Somfy roller shutters.

**2. RANGE**

|  | Designation | Cat. No. | Number of units | Connection method | Weight (g) | Characteristics |
|--|-------------|----------|-----------------|-------------------|------------|-----------------|
|  | RTS Somfy   | 672 69   | 1               | screw             | 50 g       | 3V DC battery   |

**3. INSTALLATION**

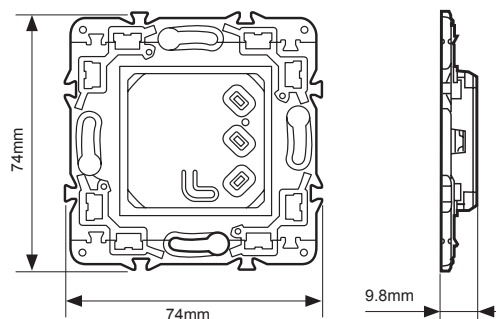


\* Not supplied with the mechanism

- 1 - Fix the switch mechanism and support frame to the wall.
- 2 - Clip the front cover and rocker on to the mechanism.
- 3 - Clip the plate on to the support.

Can be used with all Céliane range finishes.  
Allows for horizontal and vertical multi-gang mounting.

**4. OUTLINE DIMENSIONS**



**5. CONNECTION**

No connection necessary

**6. TECHNICAL DATA**

**6.1 Mechanical characteristics**

Impact resistance: IK 02  
Solid/liquid body penetration: IP 20

**6.2 Materials characteristics**

Mechanism + support: polycarbonate  
Cover: polycarbonate

**6.3 Electrical characteristics**

Power supply: 3V DC (CR 2032 lithium battery).  
Minimum lifetime: 3 years.

**6.4 Climatic characteristics**

Storage and operating temperature: + 5 °C to + 45 °C.

## 7. PERFORMANCE

This product is a radio transmitter.

### Radio:

Frequency: 433.42 MHz

Range: approximately 50 m with no obstacles

Frequency modulation

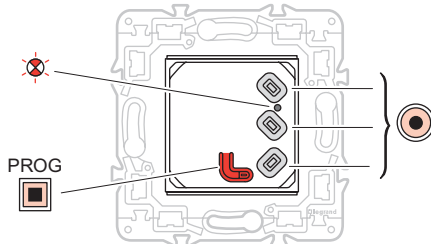
### General:

Programs remembered when battery changed.

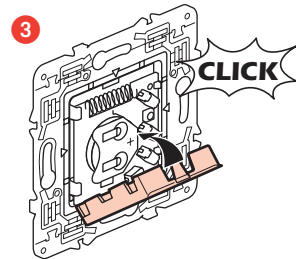
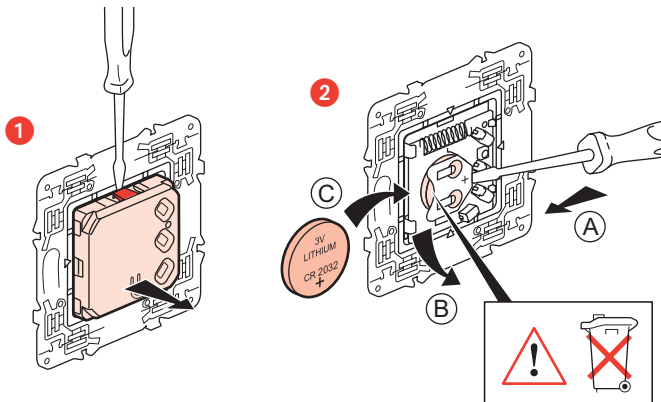
## 8. OPERATION

### 8.1 Operating principle

#### 8.1.1 Description of buttons



#### 8.1.2 Changing the battery

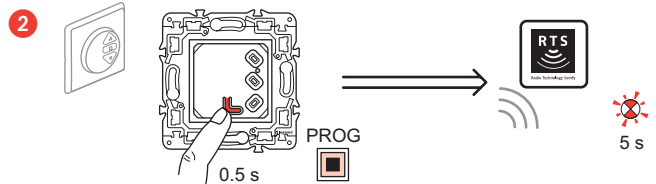
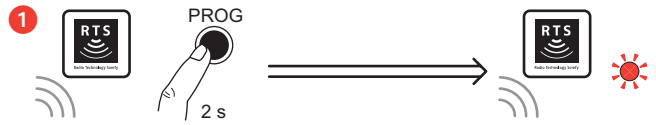


- 1 - Unclip the enclosure using a screwdriver at the identified location.
- 2 - Remove the enclosure and replace the battery.
- 3 - Clip the enclosure back on.

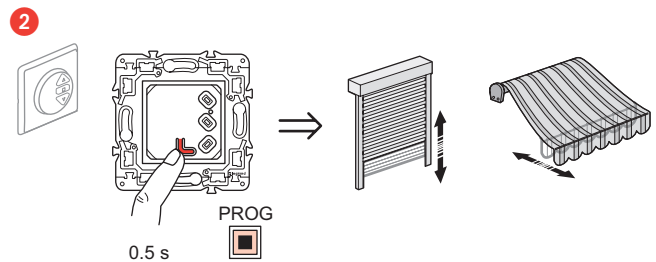
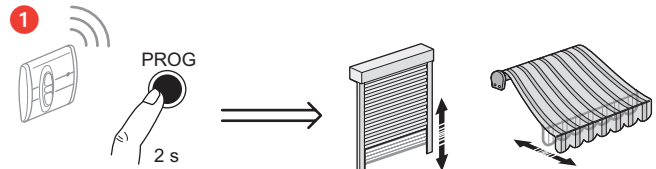
## 8. OPERATION (cont.)

### 8.2 Programming

#### 8.2.1 Adding a transmitter with an accessible RTS receiver

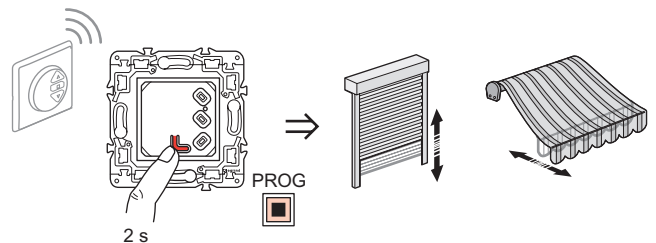


#### 8.2.2 Adding a transmitter with an integrated inaccessible receiver

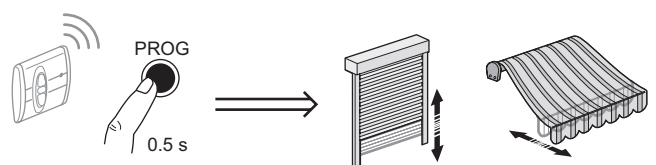


In the event you lose the original Somfy transmitter, contact Somfy customer service.

#### 8.2.3 Removing a transmitter with an accessible RTS receiver



#### 8.2.4 Removing a transmitter with an integrated inaccessible RTS receiver



### Centralisation:

This product is not designed for centralisation. It is to be used simply for controlling several shutters in the same room (see next chapter).

To centralise controls, you must use the RTS/IOBL gateway, Cat. No.: .... and an IOBL transmitter.