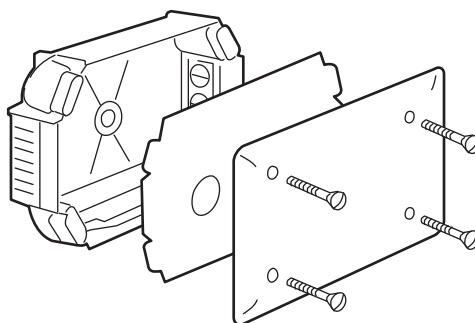


Batibox™ Flush-mounting boxes for masonry

Cat. No(s): 0 892 71/72/73/74/75/77/78



1. USE

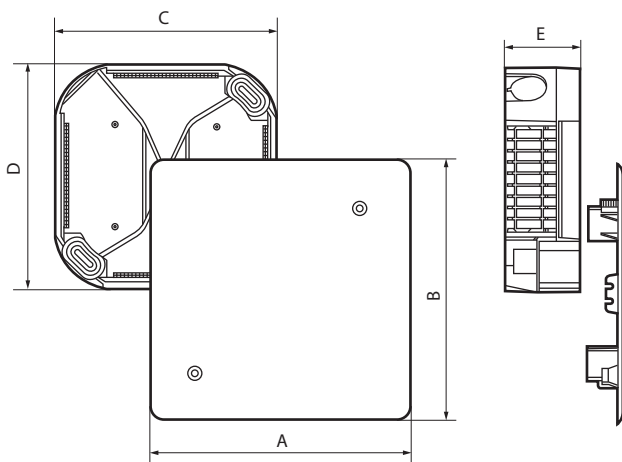
Flush-mounting boxes for masonry with knock-out entries for circuit branch connection.

Knock-out partitions and multi-sided strips fitted with cover with vertical adjustment.

2. RANGE

Description	Red
Complete junction box Supplied with cover and screws.	0 892 71
Complete junction boxes Supplied with cover and screws Supplied with anti-plaster screen.	0 892 72 0 892 73 0 892 74 0 892 75
Complete junction boxes Supplied with cover and screws Large capacity: take Ø 25 and Ø 32 mm tubes.	0 892 77 0 892 78

3. DIMENSIONS (mm)



3. DIMENSIONS (mm) (continued)

Cat. Nos	A	B	C	D	E
0 892 71	100	100	85	85	40
0 892 72	140	140	120	120	40
0 892 73	190	135	165	115	40
0 892 74	195	195	175	175	40
0 892 75	255	210	230	180	50
0 892 77	403	180	400	180	70
0 892 78	404	250	390	245	70

4. TECHNICAL CHARACTERISTICS

■ 4.1 Mechanical characteristics

Protection against impacts: IK 04

Protection against solid/bodies and liquids: IP 20

■ 4.2 Material characteristics

Boxe: Red Polystyrene

Cover: White Polypropylene

Screws: Galvanized steel

UV-resistant

Halogen-free

Self-extinguishing: 650°C/30 s

■ 4.3 Climate characteristics

Storage temperature: -5°C to +60°C

Usage temperature: -5°C to +40°C

5. ACCESSORIES

Cat. No. 0 892 67: divider for boxes Cat. Nos 0 892 74/75.

6. STANDARDS AND APPROVALS

Compliant with installation and manufacturing standards.
 See e.catalogue.