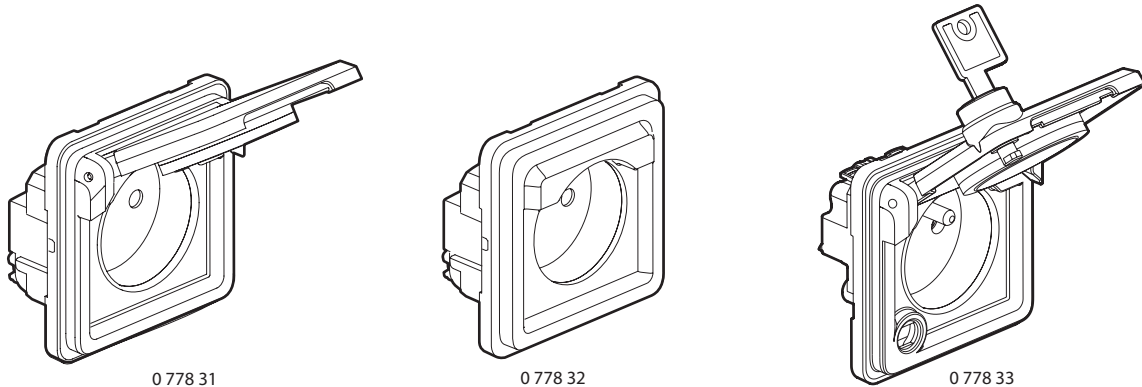


Soliroc™ - IK 10 vandalproof Socket outlets to Franco-Belgian standard

Cat. No(s): 0 778 31/32/33



1. USE

I - Socket outlets are available with or without flap cover (simple flap or locked flap).

II - The Soliroc™ IK10 range guarantees robust strength that will withstand the toughest conditions in hazardous or unsupervised areas, both indoors and outdoors (warehouses, public places, motorway service areas, offices, shops, educational institutions, places of detention, etc.). Chrome-plated metal alloy faceplates that guarantee strength as well as high resistance to scratches, graffiti, tags and lighter flames. Plate supplied with a set of 4 plugs.

The 5 commitments of the SOLIROC range.

Security: the IK10 rating (20 joule impact force) guarantees optimal resistance and protection against vandalism. It is impossible to tear off a SOLIROC switch due to the use of four zamak sealing plugs on the plate (removable only by drilling).

Reliability: the IP55 rating guarantees a long useful lifetime whether indoors or outdoors. All external parts are made of zamak for optimal robustness.

Practicality: the plate is deliberately thin, thereby limiting the amount of possible grip and reducing the risk of attempted tear-off. There is minimal space between parts, guaranteed by the IP5X rating (impenetrable by solid bodies greater than 1 mm in diameter and protected against dust).

Installation: Depends on the nature of the building. We recommend using 50 mm-deep multi-material or concrete BATIBOX mounting boxes (40 mm accepted).

To guarantee the best tear-off resistance:

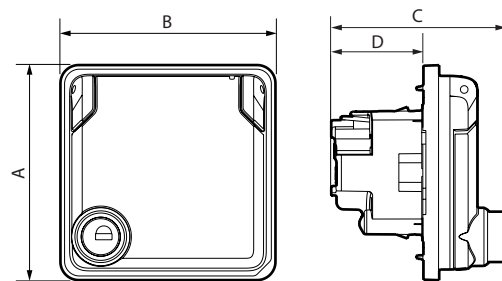
- Attach the SOLIROC plates using 4 standard screws (4 mm diameter, 40 mm length).
- Select wall plugs according to the nature of the walls. For concrete walls, we recommend expanding nylon wall plugs (6 mm diameter, useful length 40 mm).

Quality control: factory inspection according to ISO 9001/9002 procedures.

2. RANGE

Designation	Cat. Nos
2 P+E socket with flap - 2 modules	0 778 31
2 P+E socket without flap - 2 modules	0 778 32
2 P+E socket with locked flap - 2 modules	0 778 33

3. DIMENSIONS (mm)



References	A	B	C	D
0 778 31	70.5	70.5	48.5	30
0 778 32	70.5	70.5	45.5	30
0 778 33	70.5	70.5	57.5	30

4. CONNECTION

Type of terminals: automatics
 Terminal capacity: 2 x 1.5 mm² - 2 x 2.5 mm²
 Stripping length: 12 mm

5. TECHNICAL CHARACTERISTICS

■ 5.1 Mechanical characteristics

Protection index: IK 10
 Penetration against solid bodies and liquids: IP 55 Cat. No.: 0 778 31/33
 IP 20 Cat. No.: 0 77832

■ 5.2 Materials characteristics

Mechanism casing: PC
 Sub-plate: PC
 Plate: Zamak
 Surface treatment: copper plating + acid treatment + dull nickel plating + chrome plating = approximately 0.1 mm thick.
 Colour: grey with matte, chrome-plated appearance
 Halogen-free
 Sealing membrane: SEBS
 Self-extinguishing:
 850°C/30 s for insulating components holding live parts in place.
 650°C for other insulating components.

5. TECHNICAL CHARACTERISTICS *(continued)*

■ 5.3 Electrical characteristics

Voltage: 230 V~

Current: 16 A

Frequency: 50/60 Hz

■ 5.4 Climate characteristics

Usage temperature: -5°C to +40°C

Storage temperature: -10°C to +70°C

6. MAINTENANCE

Withstands cleaning products without damage.

Products such as hexane, methylated spirit, window-cleaning products, bleach diluted to 10%, graffiti remover, acetone, white spirit, white gas.

Caution: Always test before using special cleaning products.

7. STANDARDS AND APPROVALS

Compliant with installation and manufacturing standards.

See e. catalogue.