

CONTENT	Page
1. Description, use .....	1
2. Range .....	1
3. Overall dimensions .....	2
4. General characteristics .....	2
5. Conformity and approvals.....	3
6. Equipments and accessories .....	3

**1. DESCRIPTION, USE**

For use with PLEXO<sup>3</sup> IP65 12 and 18-modules cabinets using joining kit Cat. No. 0 019 67.

Can be fitted with control units and accessories: P17 16 A and 32 A sockets with standard fixing centres, flush-mounted IP 55 Plexo wiring accessories, Osmoz, modular rail at the back of the box.

**2. RANGE**

**2.1 Vertical**

Supplied with hinges connecting the back of the cabinet and the cover, removable faceplates and fixing faceplate for flush-mounted Plexo device.  
Depth : 123 mm.

For 2 rows cabinets : 0 019 17  
For 3 rows cabinets : 0 019 18

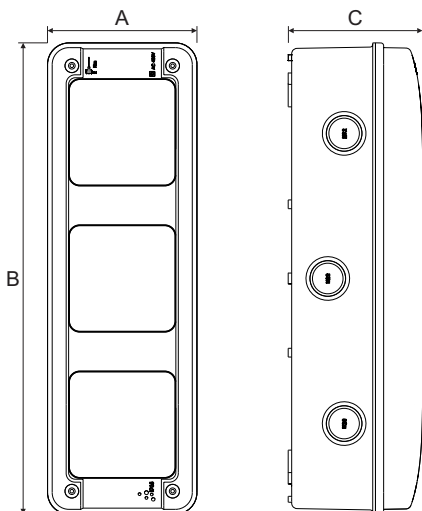
**2.2 Horizontal**

Mounting control units and accessories using P17 faceplates, 220x125 mm.

For 12 modules cabinets : 0 019 19  
For 18 modules cabinets : 0 019 20

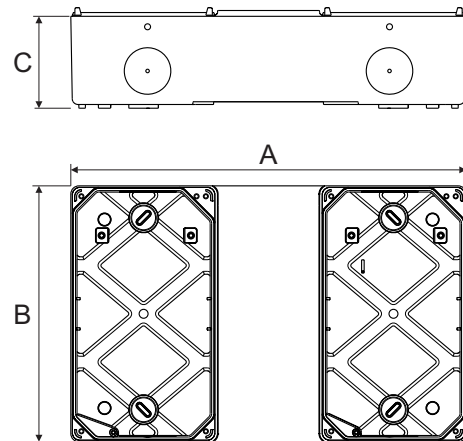
**3. OVERALL DIMENSIONS**

**3.1 Vertical multifunction sleeves**



Cat.No(s)	Dimensions (mm)			Number of posts
	A	B	C	
0 019 17	137	432	123	3
0 019 18	137	622	123	4

**3.2 Horizontal multifunction sleeves**



Cat.No(s)	Dimensions (mm)		
	A	B	C
0 019 19	340	220	79
0 019 20	448	220	79

**4. GENERAL CHARACTERISTICS**

**4.1 Technical characteristics**

- . Box colour : light grey L750A
- . Cover colour : dark grey RAL 7046
- . Protection index : IP65 – IK09
- . Self-extinguishing : 750°C
- . Class II double insulation
- . Storage and installation temperature : -25°C à +55°C (+70°C/24 H)
- . Operating temperature : -25°C à +40°C

**4.2 Materials**

- . Box, cover, faceplate : impact reinforced polystyrene
- . Hinge : polypropylene
- . Cover/box screws : stainless steel
- . Other screws : zinc-coated steel

**5. CONFORMITY AND APPROVALS**

CEI 62 208 edition august 2011  
 CEI 60 695-2-11 edition february 2014 (fire resistance)  
 CEI 62 262 edition february 2002 (impact resistance IK)  
 RoHS  
 WEEE  
 REACH

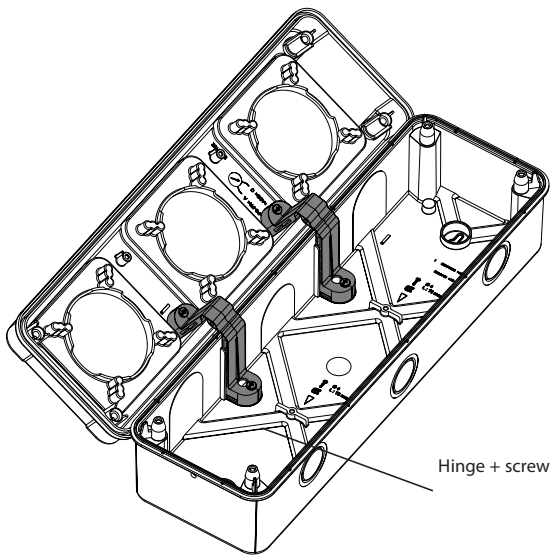
**6. EQUIPMENTS AND ACCESSORIES**

■ **6.1 Hinge cover / box**

Only for vertical multifunctions sleeves.

Supplied components :

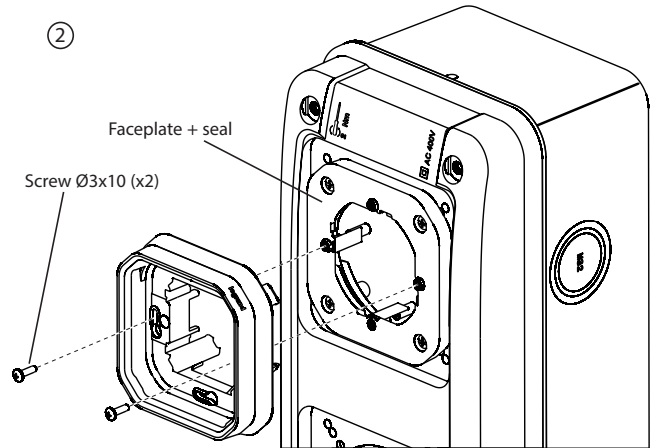
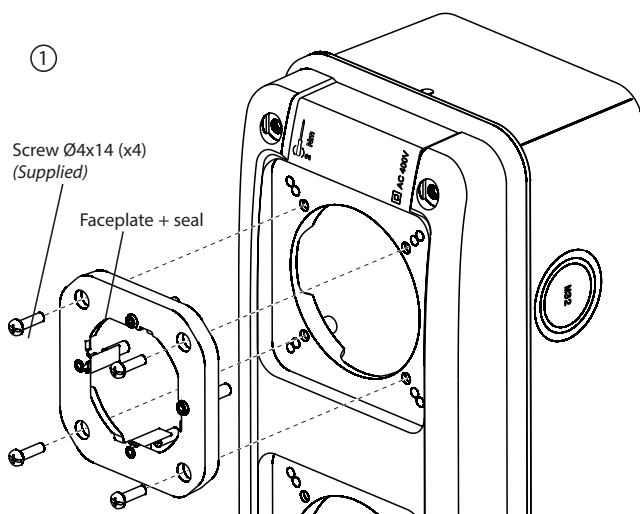
- 2 hinges cover / box
- 4 screws Ø4x12



■ **6.2 Faceplate for fixing flush-mounted Plexo wiring devices**

Supplied components :

- 1 faceplate
- 1 seal
- 2 screws Ø3x10



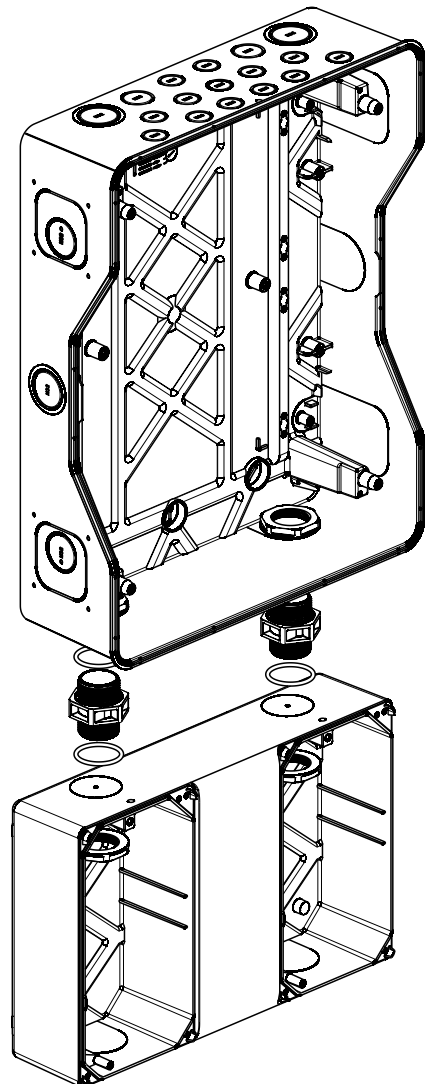
Flush-mounted Plexo wiring devices can be added with fixing faceplate accessory Cat. No. 0 019 71.

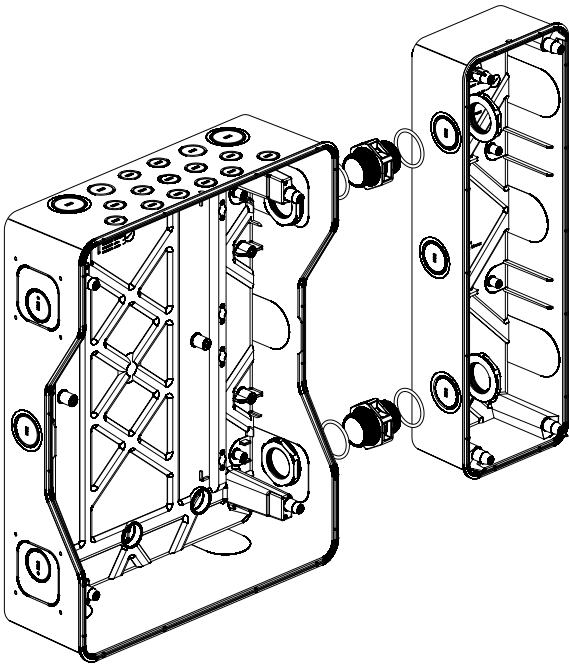
■ **6.3 Joining kit**

Cat. No. 0 019 67

Used to run cables between two cabinets or horizontal or vertical multifunction sleeves, while maintaining IP65 protection.

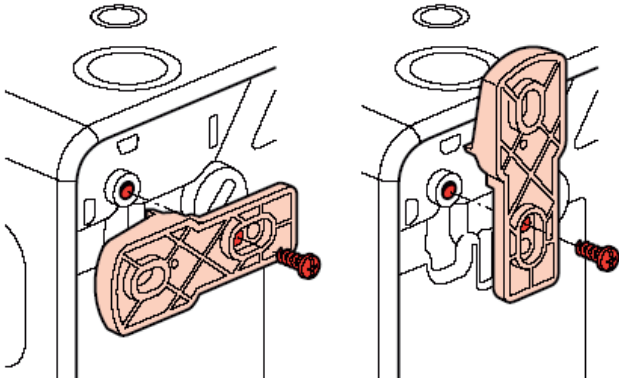
Composed of 2 joining kits, 4 nuts and 4 seals.





■ 6.4 Set of four wall mounting lugs

Cat.No. 001969



Only in vertical version for references 0 019 17 and 0 019 18.