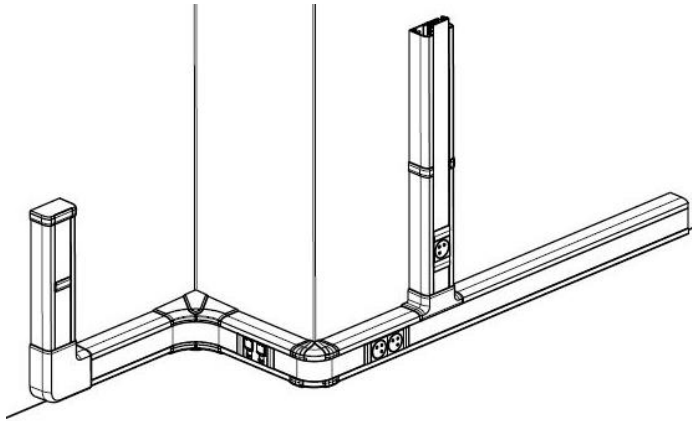


WHITE ANTIMICROBIAL SNAP-ON TRUNKING

Number(s) 0 757 00/02/04/05/07/09/10/12/14/15/17/19,
0 757 20/22/24/25/29/30/35/36



CONTENTS	PAGES
1.Snap-on trunking	1 to 5
2.Accessories	6 to 7
3. Finishing Accessories	8 to 9
4.Technical characteristics	10 to 11
5.Material characteristics	11

1. SNAP-ON TRUNKING.

Snap-on trunking offers:

- the distribution, the protection and the derivation of the various cables in an electrical installation.
- trunkings, finishing accessories (end, joint of lid, joint of body, interior angle, exterior angle, flat angle, derivation)
- all the easy ways/advantages for the installation.
- to comply with the norm EN 50085-2-1, safety and technical performance.
- a flexibility with the installation and maintenance:

Direct Clipping with all the Mosaic functions antimicrobial = by associating the accessory of installation (soluclip)

Direct Clipping with the sockets for trunking Programs Mosaic and RJ45 with integrated accessory = optimal solution for the installation of the sockets into direct clipping trunking

3 new references of trunkings delivered with a cover of 45mm for clips of the equipment on all the range.

This new trunking will allow the universal direct clips of all the mechanisms 45x45 of the market

As an innovative system « White Antimicrobial Snap-on trunking » accompanied by the antimicrobial functions by the Mosaic program propose optimal association for the realization of an electrical installation perfectly adapted to the needs.

Communication by color codes on packaging of the products.

- Label system on the packaging to facilitate the choice of the products.

- Flexible cover with double fixing, powerful, easy to install and which is integrated well with the angles for an irreproachable aesthetic completion.

- Clips and variability of the angles.

- Pre-drilling of the body in the trunking with 2 & 3 compartments.

Note ; products are identified by « + » sign graved or painted inside.

1. SNAP-ON TRUNKING (continued)

How does it work ?

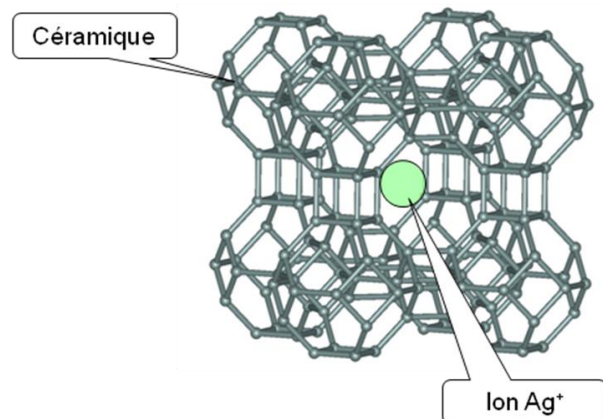
When a bacteria is in contact with the surface of the product, the silver ion get out from the ceramic capsule. Within a ionic exchange with the sodium (or potassium) ion present inside negative gram bacteria, the migration of the silver ion to the bacteria weakneses the membrane of the bacteria until it's broken.

Thus we have a physical destruction which avoids any antibiotal resistance.

Targeted bacteria:

- Staphylococcus Aureus
- Escherichia coli

Scheme of ceramic capsule with silver ion Ag+ inside.



1. SNAP-ON TRUNKING (continued)

As an innovative system, « White Antimicrobial Snap-on trunking » used in conjunction with antimicrobial Mosaic wiring devices propose the optimal association for the realization of an electrical installation perfectly adapted to the needs of healthcare buildings.

- Targets: hospitals, medical centers, nurseries, schools...
- Installation places: Every places which can be easily contaminated (surgery blocks, emergency rooms, laboratories, pharmacy, ...)
- Limit the development of bacteria nests especially in places with a low frequency cleaning (offices, nursery...).
- Perfect complement of sanitary protection instructions against hazardous bacteria (like Escherichia Coli and MRSA Staphylococcus Aureus)

The IP40 is maintained everywhere thanks to the quality of the trunking and the accessories and reinforce antimicrobial effect by limiting the access to the bacteria inside the trunking.

The installer doesn't have to deal with the quality of the cut thanks to the Soluclip accessory which hides any defects.

Anti-pull function makes it possible to limit the interventions on site due to a damage coming from a bad maneuver of user.

Anti-slip function helps installers in order to avoid any inopportune displacement of the equipment in the various phases of the installation (poses, wiring, etc ...).

This new range complies with international standard JIS Z2801.

Active substance used is the silver ions Ag+.

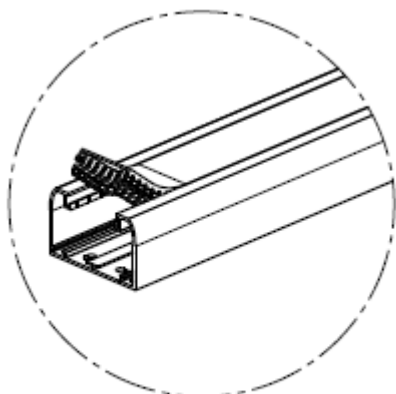
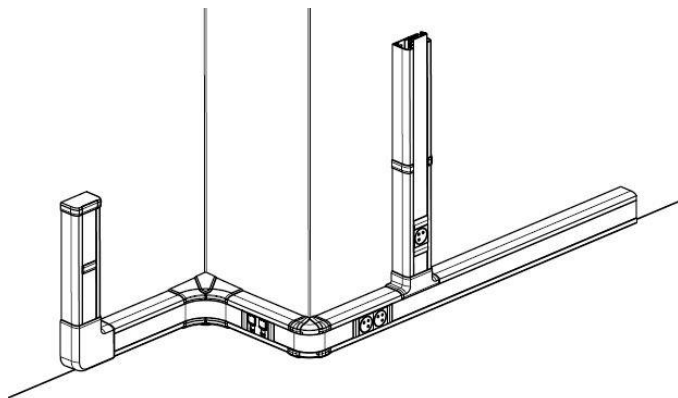
WHITE ANTIMICROBIAL SNAP-ON TRUNKING

Number(s) 0 757 00/02/04/05/07/09/10/12/14/15/17/19,
0 757 20/22/24/25/29/30/35/36

1. SNAP-ON TRUNKING (continued)

1.1 Trunking 50x80 ref 0 757 00 (body and cover)

Trunking 1 compartment :



80X50

Delivered in length of 2m with cover width 45mm.

White color RAL 9003.

Fixing by:

- wall plugs for immediate fixing (without screw nor nail ref. 0 308 99)
- DLP rapid wall plug ref 0 308 97 (for 10mm maxi plasterboard walls at least 20mm away from the concrete surface)
- screw, nails...

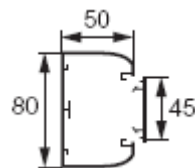
Cut out using a saw (standard hacksaw)

Pack by 20m

1. SNAP-ON TRUNKING (continued)

1.1 Trunking 50x80 ref 0 757 00 (body and cover) (continued)

Dimensions :



Wiring capacity.

Ø maxi : 38mm

Cross-Section : 2934mm²

50x80



	Cross section Maxi (A)	Capacity with Mosaic support(A)
1,5mm ²	177	94
2,5mm ²	131	70
4mm ²	115	61
6mm ²	85	45
3x1,5mm ²	26	13
3x2,5mm ²	19	10
UTP & FTP CAT.6	58	31

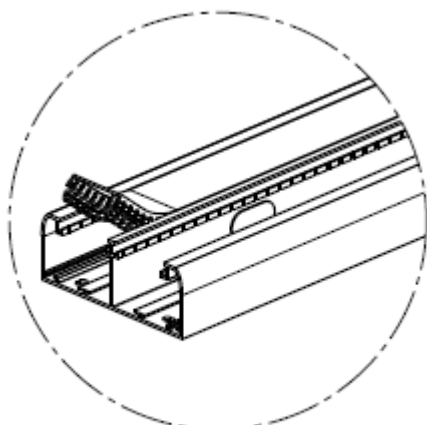
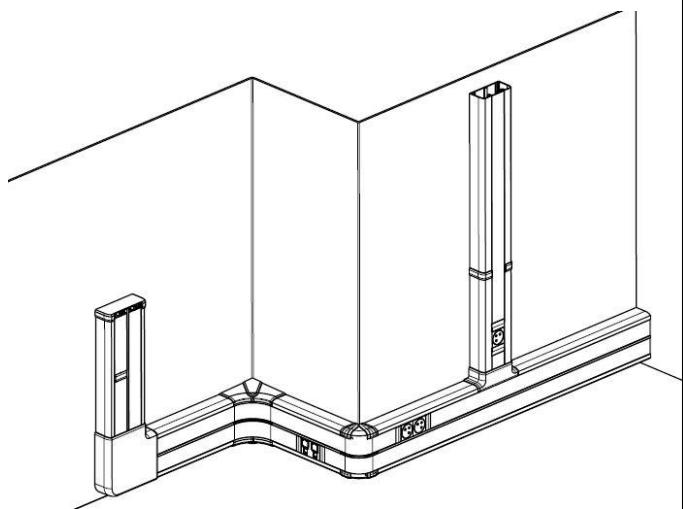
WHITE ANTIMICROBIAL SNAP-ON TRUNKING

Number(s) 0 757 00/02/04/05/07/09/10/12/14/15/17/19,
0 757 20/22/24/25/29/30/35/36

1. SNAP-ON TRUNKING (continued)

1.2 Trunking 50x130 ref 0 757 02 (body and cover)

Trunking 2 compartments :



130X50

Delivered in length of 2m with cover width 45mm

White color RAL 9003.

Fixing by:

- wall plugs for immediate fixing (without screw nor nail ref. 0 308 99)
- DLP rapid wall plug ref 0 308 97 (for 10mm maxi plasterboard walls at least 20mm away from the concrete surface)
- screw, nails...

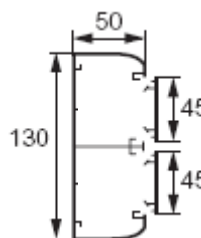
Cut out using a saw (standard hacksaw)

Pack by 12m

1. SNAP-ON TRUNKING (continued)

1.2 Trunking 50x130 ref 0 757 02 (body and cover) (continued)

Dimensions :

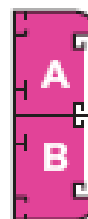


Wiring capacity.

Ø maxi : 38mm

Cross-Section : 2442mm² in each compartment

50x130



	Cross section Maxi (A/B)	Capacity with Mosaic support(A/B)
1,5mm ²	148	65
2,5mm ²	109	48
4mm ²	96	42
6mm ²	71	31
3x1,5mm ²	21	9
3x2,5mm ²	16	7
UTP & FTP CAT.6	48	21

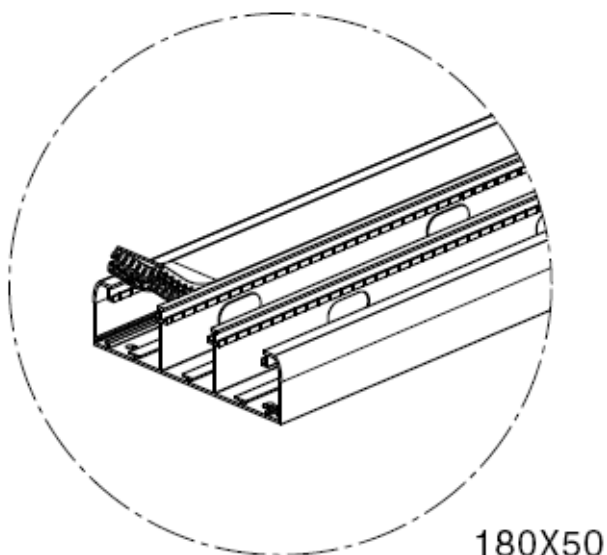
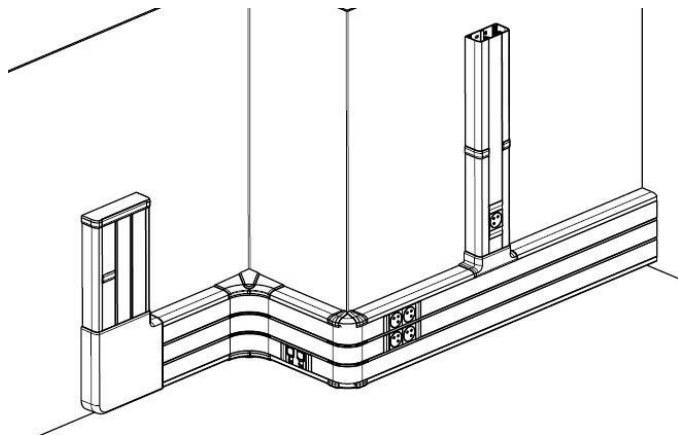
WHITE ANTIMICROBIAL SNAP-ON TRUNKING

Number(s) 0 757 00/02/04/05/07/09/10/12/14/15/17/19,
0 757 20/22/24/25/29/30/35/36

1. SNAP-ON TRUNKING (continued)

1.3 Trunking 50x180 ref 0 757 04 (body and cover)

Trunking 3 compartments :



Delivered in length of 2m with cover width 45mm

White color RAL 9003.

Fixing by:

- wall plugs for immediate fixing (without screw nor nail ref. 0 308 99)
- DLP rapid wall plug ref 0 308 97 (for 10mm maxi plasterboard walls at least 20mm away from the concrete surface)
- screw, nails...

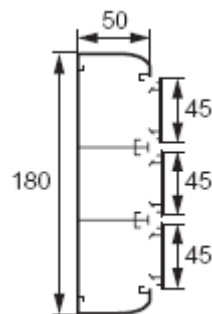
Cut out using a saw (standard hacksaw)

Pack by 8m

1. SNAP-ON TRUNKING (continued)

1.3 Trunking 50x180 ref 0 757 04 (body and cover)

Dimensions :



Wiring capacity.

Ø maxi : 38mm

Cross-Section :

Compartments A&C = 2442mm²/ compartment B = 1950mm²

50x180



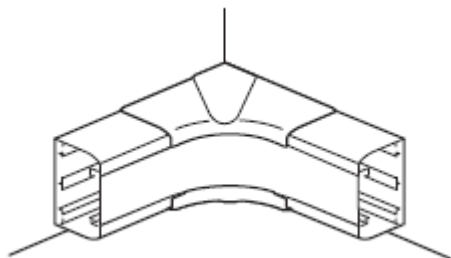
	Cross section Maxi		Capacity with Mosaic support	
	A/C	B	A/C	B
1,5mm ²	148	118	65	35
2,5mm ²	109	87	48	26
4mm ²	96	76	42	22
6mm ²	71	55	31	16
3x1,5mm ²	21	17	9	5
3x2,5mm ²	16	12	7	3
UTP & FTP CAT.6	48	38	21	11

WHITE ANTIMICROBIAL SNAP-ON TRUNKING

Number(s) 0 757 00/02/04/05/07/09/10/12/14/15/17/19,
0 757 20/22/24/25/29/30/35/36

2. ACCESSORIES.

2.1 Internal angle ref. 0 757 10/12/14



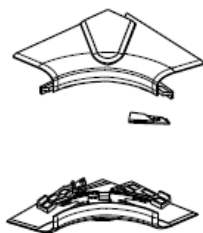
White color RAL 9003.

The junction in interior angle of two pieces of the same section:
- avoid the cut of miter on the trunking
- respect of the degree protection

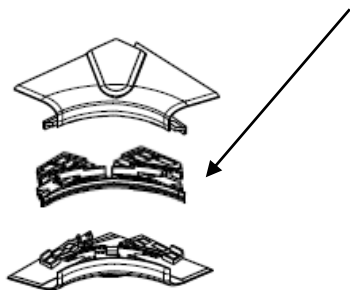
Assembly on the body by clipsage.

The internal angles thus ensure the continuity of the flexible cover on the angles do not require cut of cover, and look after aesthetics. Variable internal angles of 80 with 100°.

The internal angles are delivered with 2 elements (ex: for trunking 1 compartment)



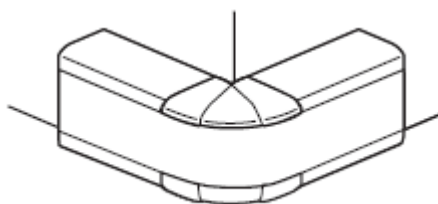
The internal angles are delivered with 3 elements (ex: for trunking 2 compartments with partition junction)



References	Pack	For trunking
0 757 10	10	50x80
0 757 12	5	50x130
0 757 14	5	50x180

2. ACCESSORIES (continued)

2.2 External angle ref. 0 757 15/17/19



White color RAL 9003.

The junction in exterior angle of two pieces of the same section:
- avoid the cut of miter on the trunking
- respect of the degree protection

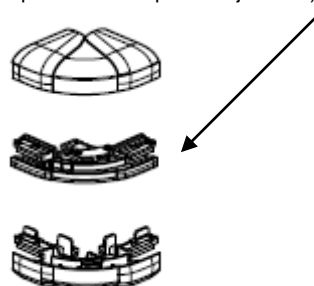
Assembly on the body by clipsage.

The external angles thus ensure the continuity of the flexible cover on the angles do not require cut of cover, and look after aesthetics. Variable external angles of 85 with 120°.

The external angles are delivered with 2 elements (ex: for trunking 1 compartment)



The external angles are delivered with 3 elements (ex: for trunking 2 compartment with partition junction)



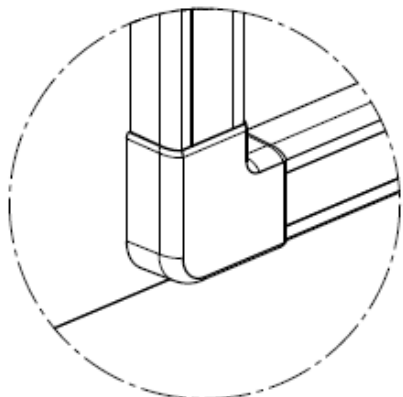
References	Pack	For trunking
0 757 15	10	50x80
0 757 17	5	50x130
0 757 19	5	50x180

WHITE ANTIMICROBIAL SNAP-ON TRUNKING

Number(s) 0 757 00/02/04/05/07/09/10/12/14/15/17/19,
0 757 20/22/24/25/29/30/35/36

2. ACCESSORIES (continued)

2.3 Flat angle ref. 0 757 20/22/24



White color RAL 9003.

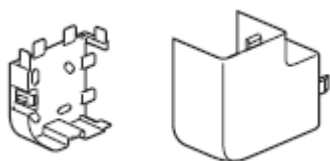
The junction in flat angle of two same sections allows:

- avoid the cut of miter on the trunking
- respect of the degree protection
- the distribution of the various currents preserves

Assembly on the body by clipsage.

Angles not variable (fixes at 90°)

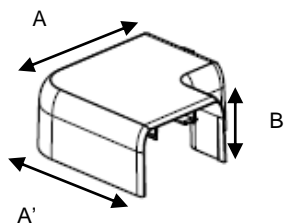
The flat angles are delivered with 2 elements.



References	Pack	For trunking
0 757 20	10	50x80
0 757 22	5	50x130
0 757 24	5	50x180

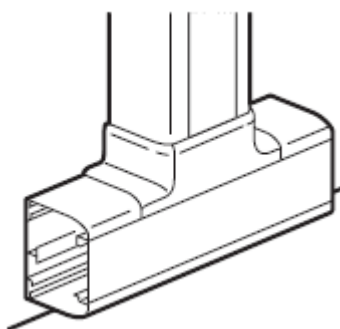
Dimension Flat angle :

	A	A'	B
L 80	123,3	123,3	52,3
L 130	175,3	175,3	52,8
L 180	226,7	226,7	52,8



2. ACCESSORIES (continued)

2.4 Flat junction ref. 0 757 25.



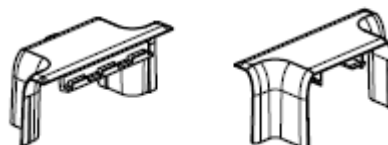
White color RAL 9003.

The junction in "T" allows.

- respect of the degree protection

Assembly on the body by clipsage

Example with 80x50 :



To tap-off to an 80mm wide trunking:

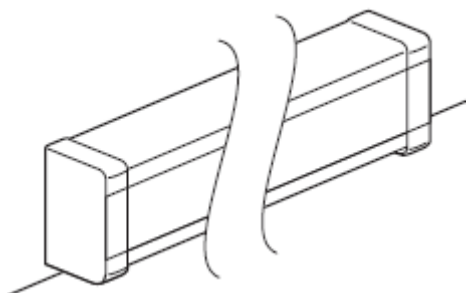
References	Pack	For trunking
0 757 25	5	50x80/130/180

WHITE ANTIMICROBIAL SNAP-ON TRUNKING

Number(s) 0 757 00/02/04/05/07/09/10/12/14/15/17/19,
0 757 20/22/24/25/29/30/35/36

3. FINISHING ACCESSORIES.

3.1. End cap ref.0 757 05/07/09



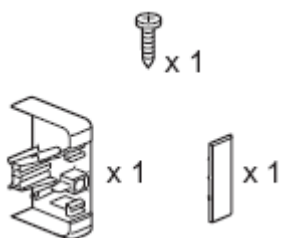
White color RAL 9003.

Allows to block the end of the body:

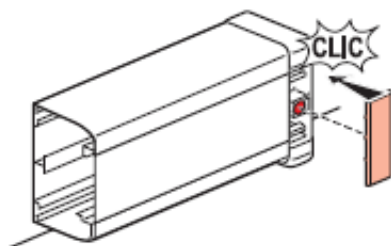
- respect of the degree protection
- improvement of aesthetics (covering of the cut)
- left or right end cap

Assembly on the body by fitment and screwing.

The end cap is delivered with a screw and of a part of closing



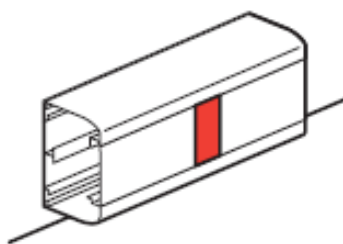
Pose (requiring more place) provided with a part of closing which facilitates the intervention on the trunking by a simple access to the compartments



References	Pack	For trunking
0 757 05	10	50x80
0 757 07	5	50x130
0 757 09	5	50x180

3. FINISHING ACCESSORIES (continued)

3.2 Cover joint ref. 0 757 35



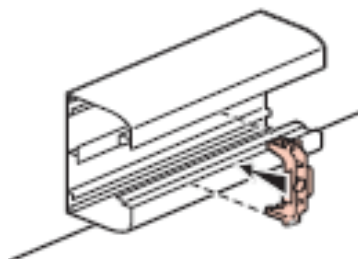
White color RAL 9003.

Allows:

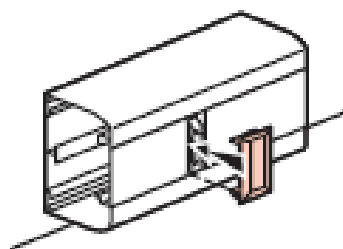
- the junction end to end of two covers
- respect of the degree protection
- to improve aesthetics (covering of the cut)

Pack by 10

Assembly of the cover joint by clipsage of the two parts



By removing the part of completion of the cover joint, that gives access simply the cover to withdraw it and facilitates the intervention in the compartment.

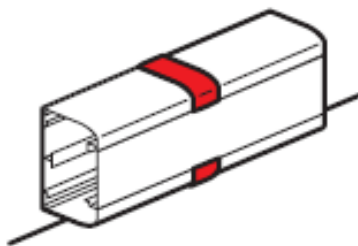


WHITE ANTIMICROBIAL SNAP-ON TRUNKING

Number(s) 0 757 00/02/04/05/07/09/10/12/14/15/17/19,
0 757 20/22/24/25/29/30/35/36

3. FINISHING ACCESSORIES (continued)

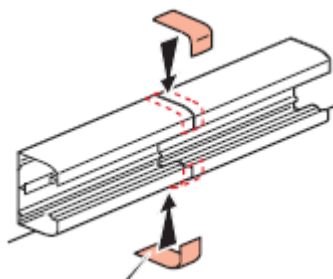
3.3 Body joint ref. 0 757 30



White color RAL 9003.

Allows:

- the junction end to end of two same section
- respect of the degree protection
- to improve aesthetics (covering of the cut)
- fixing by adhesive, poses at the end of the installation

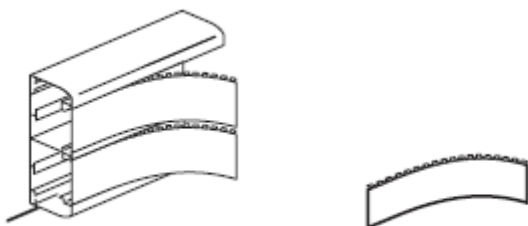


Pack by 20

Ref. 0 757 30, adhesive body joint for trunking to small sides of 17mm (50x80, 50x130 and 50x180)



3.4 Flexible cover ref 0 757 29



White color RAL 9003.

Delivered in length of 2m.

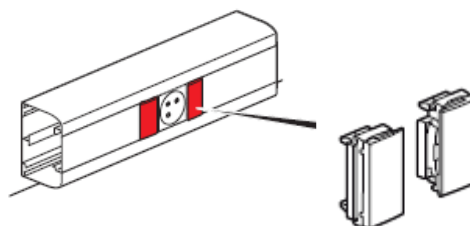
Cut out using a saw (standard hacksaw)

Assembly on the body by clipsage.

Pack by 20m

3. FINISHING ACCESSORIES (continued)

3.5 Soluclip accessory ref. 0 757 36

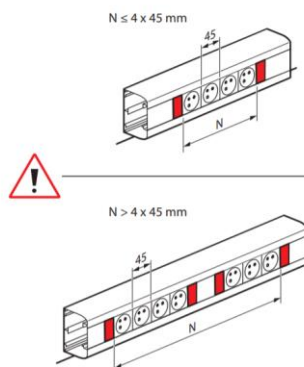


White color RAL 9003.

Pack by 10 (10 set of 2)

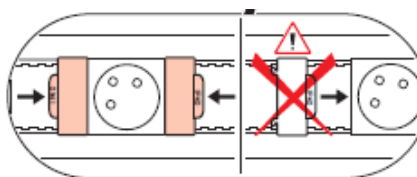
Allows:

- anti-slip
- anti-pullout
- perfect finish
- respect of the degree protection (IP4X)



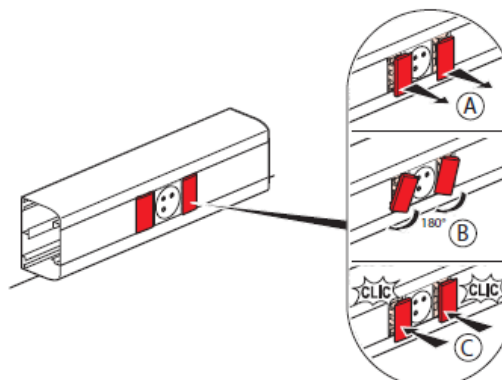
	N
1 x 0 757 36	1 → 4
2 x 0 757 36	5 → 8
3 x 0 757 36	9 → 12
4 x 0 757 36	13 → 16

Be careful with the sens of soluclip :



Installation principle for sockets for snap-on trunking :

- A= disengage the finishing piece
B= rotate the finishing piece by 180°
C= snap on the finishing piece



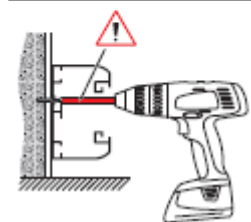
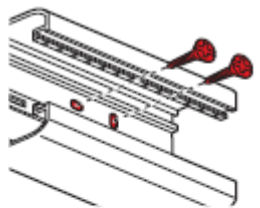
WHITE ANTIMICROBIAL SNAP-ON TRUNKING

Number(s) 0 757 00/02/04/05/07/09/10/12/14/15/17/19,
0 757 20/22/24/25/29/30/35/36

4. TECHNICAL CHARACTERISTICS.

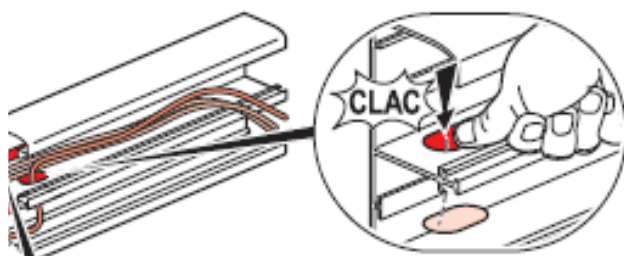
Possibility of adapting removable separations (for the separation of the currents in the same compartment)

Funds of the bodies provided with holes for fixing, facilitating the upgrade of the trunking (balance/slope)



- Bodies notched on the ends for obtaining the anti-slip function, association with the accessory Soluclip (equipment delivered equipped with the Soluclip accessory)

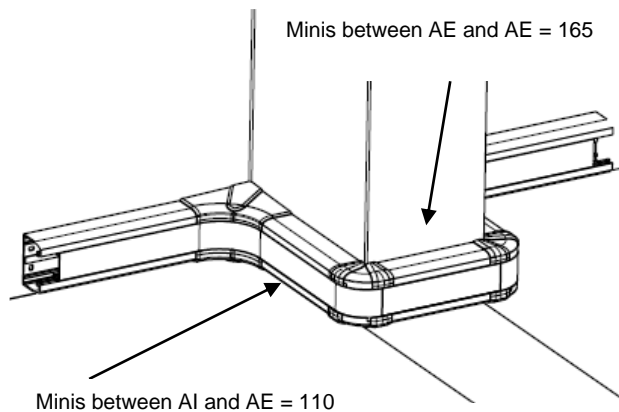
Specifications holes of partition: facilitate the passage of the cables between two compartments.



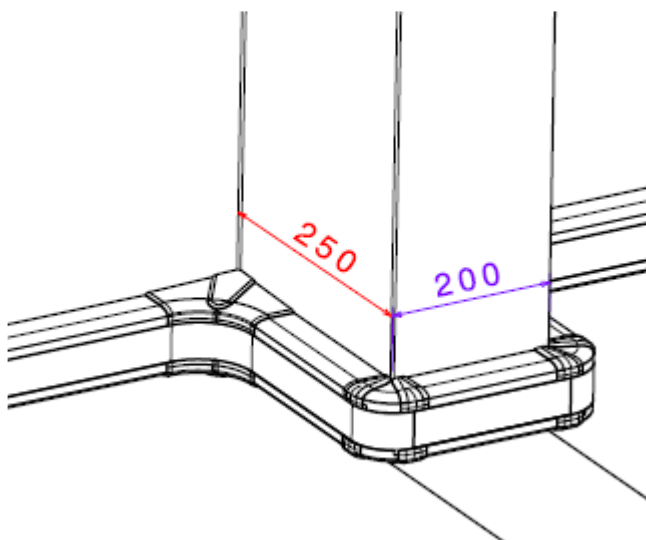
4. TECHNICAL CHARACTERISTICS (continued)

Information concerning the dimensions of installation of the interior angles and external:

Dimensions minimums (in mm) between angle inter/exter or angle exter/exter



Mini dimension in mm to be respected allowing the installation of angle inter/exter: (in the case of a skirting of post for example)



WHITE ANTIMICROBIAL SNAP-ON TRUNKING

Number(s) 0 757 00/02/04/05/07/09/10/12/14/15/17/19,
0 757 20/22/24/25/29/30/35/36

4. TECHNICAL CHARACTERISTICS (continued)

Classification of White Antimicrobial Snap-on trunking EN 50085-2-1

6.2 Resistance to impact for installation and application	2.0J
6.3 Minimum storage and transport temperature	- 25°C
6.3 Minimum installation and application temperature	- 5°C
6.3 Maximum application temperature	+ 60°C
6.4 Resistance to flame propagation	Non-flame propagating
6.5 Electrical continuity characteristic	Without electrical continuity characteristic
6.6 Electrical insulating characteristic	With electrical insulating characteristic
6.7 Degrees of protection provided by enclosure	IP40
6.9 The system access cover retention	With a tool
6.101 The position when surface mounted	Wall fixed Ceiling fixed
6.102 The functions provided	Type 1
Rated voltage	500 V
Protection against mechanical shocks	IK 07

Compositions and functions of White Antimicrobial Snap-on trunking (1 system per line) EN 50085-2-1 :

White Antimicrobial Snap-on trunking			End cap
Body+cover	references	Section (mm ²)	
50x80	0 757 00	2934	0 757 05
50x130	0 757 02	2442/2442	0 757 07
50x180	0 757 04	2442/1950/2442	0 757 09

5. MATERIAL CHARACTERISTICS.

The trunkings, covers and partitions are in PVC white color RAL 9003.

Plastic accessories:

The accessories are in plastic ABS white color RAL 9003.