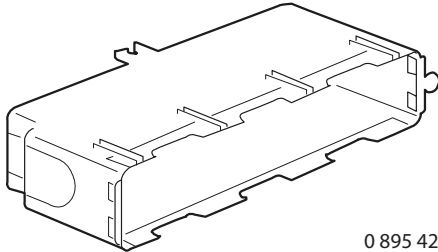
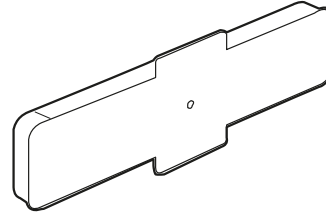


Batibox™
Flush-mounting boxes for concrete

Cat. No(s): 0 895 42/43



0 895 42



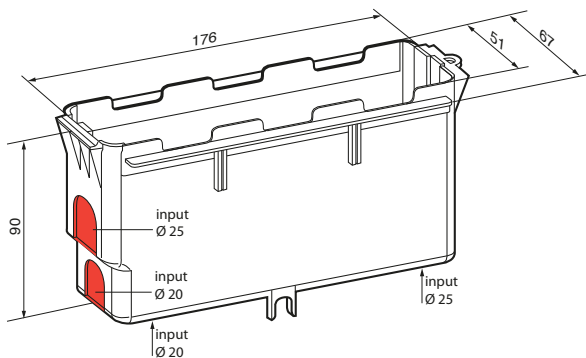
0 895 43

1. USE

Rectangular vertical junction box for concrete.

2. OVERALL DIMENSIONS

Box with 4 inputs $\varnothing 20$ and 25 mm.

**3. TECHNICAL CHARACTERISTICS****■ 3.1 Material characteristics**

Polyethylene

■ 3.2 Electrical characteristics

Self-extinguishing: $650^{\circ}\text{C} / 30$ s

■ 3.3 Climatical characteristics

Min. and max. temperature:

- Operating: -5°C to $+40^{\circ}\text{C}$

- Installation: -5°C to $+60^{\circ}\text{C}$

- Max. temperature during the construction process: 90°C

4. ACCESSORIES

Cat. No.. 0 895 44: fixing grid

