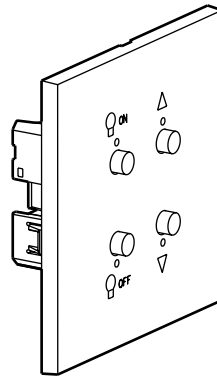


Epure Style Shutter and light control

Cat. No(s): AR-67383 - AR-67483 - AR-67583
 AR-67683 - AR-67783 - AR-67883



1. USE

Shutter and light control, built in two modules, provided with four buttons with LED status. Equipped with art finishing plates.

2. RANGE

Shutter and light control

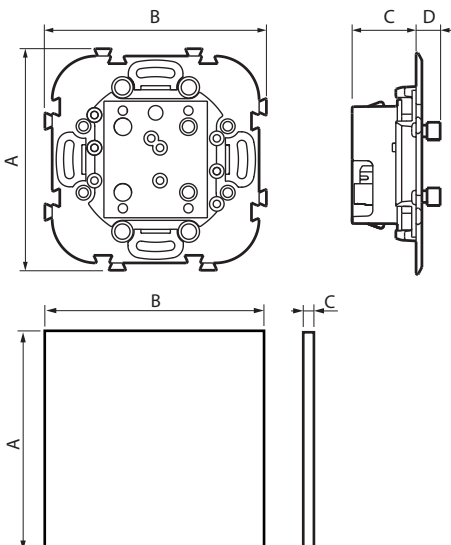
AR-67483	● Brushed steel	ART ESCAB MH light shutter
AR-67583	● Satin steel	ART ESCAS MH light shutter
AR-67683	● Mirror-polished steel	ART ESCAM MH light shutter
AR-67783	● Mirror-polished gold	ART ESCOM MH light shutter
AR-67383	● Bronze	ART ESCBZ MH light shutter
AR-67883	● Matt black	ART ESCNM MH light shutter

Note: Other finishes and configurations are provided, see technical data sheet F02217EN/01.

3. POSITIONING

Recommended installation height: 150 cm from the ground.

4. DIMENSIONS (mm)



4. DIMENSIONS (mm) (continued)

	A	B	C	D
Mechanism	76	76	22	8
Plate	80	80	5	-

5. INSTALLATION

ART d'Arnoult electrical wiring accessories are supplied with long fixing screws which can be cut at several points to adapt the screw length to the box flush-mounting depth in the wall.

If ART d'Arnoult wiring accessories are being mounted in thick surfaces such as tiles, marble, wainscot panelling with flush-mounting boxes chased deep into the wall, the whole screw length can be used to fix the wiring accessory.

If ART d'Arnoult wiring accessories are being installed in walls with non-projecting flush-mounting boxes (masonry walls, dry partitions), the screws which can be cut at several points to shorten the thread.

To protect the products, it is essential to install them: once all surface coatings are completely dry, in a dry, non-aggressive environment, indoors only.

It is recommended that you install the plates only after the wall coatings have been completely finished (paint, fabrics, etc.).

Dismantling:

The plates can be dismantled by inserting the tip of a screwdriver in a purpose-designed notch on the sides of the plate and using it as a lever to unclip it from the fixing points.

Once the plate has been lifted off the wall slightly, just slide your fingers between the plate and the wall to gently remove the plate.

Take care not to pull too hard on the plate, to avoid breaking the fixing clips.

6. CONNECTION

BUS connector.

7. TECHNICAL CHARACTERISTICS

7.1 Mechanical characteristics

Impact test: IK 02
Ingress of solids/liquids: IP 21

7.2 Material characteristics

Sub-plate: Polycarbonate

Plate:

- Decorative brass + varnish
Cat. Nos.: AR-67383 - AR-67483 - AR-67583
- Decorative brass
Cat. Nos.: AR-67683 - AR-67783
- Brass + paint
Cat. Nos.: AR-67883 - AR-67983

Self-extinguishing:

850°C/30 s for insulating components holding live parts in place

650°C/30 s for other insulating components

7.3 Electrical characteristics

Voltage: 18 - 27 Vcc

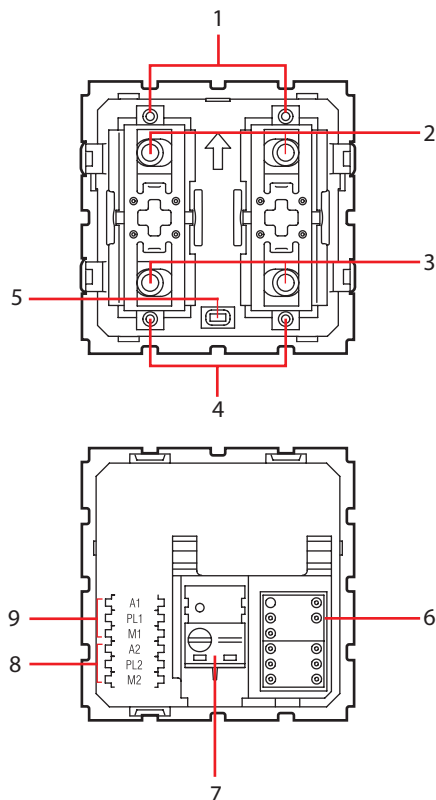
Current: 9 mA

7.4 Climate characteristics

Storage temperature: - 10°C to + 70°C

Operating temperature: 0°C to + 35°C

7.5 Functions



Key:

1. LED
2. Upper pushbutton
3. Lower pushbutton
4. LED
5. Pushbutton for adjustment / exclusion of LED
6. Rider housing
7. BUS
8. Control 2
9. Control 1
10. Possible functions: see sheet LG00131-b-EN.

8. CARE

Clean and dust using a soft, damp cloth (dampened with water) or wipes impregnated with a product containing less than 5% alcohol and anionic surfactant.

Caution: Always test before using other special cleaning products.

Banned products

- Solvents, various essential oils, paint, or adhesive tape,
- Scouring powders (because are abrasive),
- Products containing bleach,
- Special products for stainless steel,
- Renovators (because they often contain abrasives and chemical agents),
- Splashes or fumes from floor, paint, or wood stripping products, etc.

Caution:

Any mechanical attack or foreign object (screwdriver, etc.) striking the surface of the plate would damage the finish and therefore also the surface treatment.

9. STANDARDS AND APPROVALS

This device has been awarded the CE mark

Compliant with installation and manufacturing standards.

See e.catalogue.