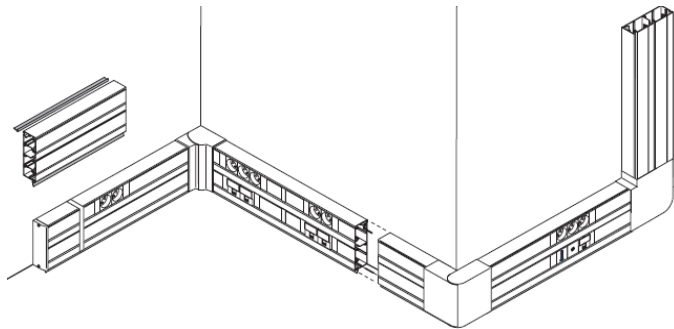


## Snap-on Aluminium trunking

Number(s) : 6 038 11/13/17/19/22/24/28/30/34/36/40/42,  
 6 038 57/58/59, 6 373 58, 0 111 88



### 1. USE

The system of distribution DLP Snap-on aluminium trunking 6060-T5 anodic natural offers:

- the distribution, the protection and the derivation of the various cables in an electrical installation.
- trunkings, finishing accessories (end, joint of lid, joint of body, interior angle, exterior angle, flat angle)
- all the easy ways/advantages for the installation.
- to comply with the norm EN 50085-2-1, safety and technical performance.
- a flexibility with the installation and maintenance: direct clipping of all the functions of the Mosaic Program (and also the sockets of the market) by associating the accessory of installation (Fixing clip).

2 references of trunkings delivered without covers.

### 2. RANGE

#### ■ 2.1 Snap-on aluminium Trunking: body, cover, separation partitions

##### 2.1.1 Snap-on aluminium Trunking body

Compartments nr	Sections (mm)	Numbers
1	50 x 85	6 038 11
2	50 x 130	6 038 13

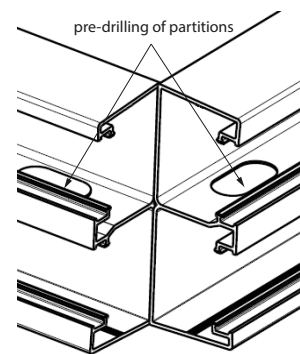
IP40 is provided on all the cable management (trunking and accessories). The covering of cover cuts as well as IP40 allows the installer to get a perfect finish of the cut between device, cover and trunking.

### 2. RANGE (cont.)

The fixing clip which allows anti-pullout of the device, prevents the installer to come back on the building site for problems of poor handling of device in the trunking. The installation is more secured, no possibilities from pullout of a socket by an end user (while strongly drawing on a cord or while stumbling feet in the cords).

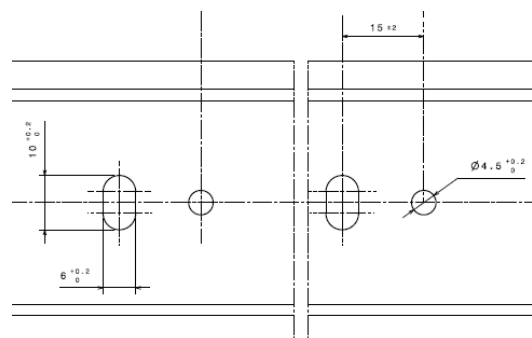
Thanks to the anti-slip of the device, installer won't have to worry about any unwanted movement of the equipment during the various phases of installation (installation, wiring, rewiring, closing of the covers) which could involve errors of device place or disconnection.

Pre-drilling of the partitions: make easier the management of cables between two compartments.



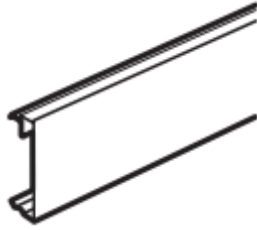
Double perforations of the bottom of the trunking for an easier levelling

Dimensions of the perforations:



## 2. RANGE (cont.)

### 2.1.2 Snap-on aluminium cover nr 6 038 17



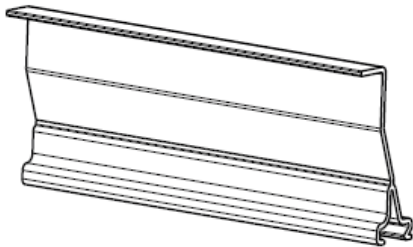
Delivered in length of 2m  
Color natural anodized aluminium

Clip-on on the trunking body, unclipping with a tool

Section of cover : 45 mm

### 2.1.3 Snap-on separation partitions

PVC nr 6 373 58 or Aluminium nr 6 038 47

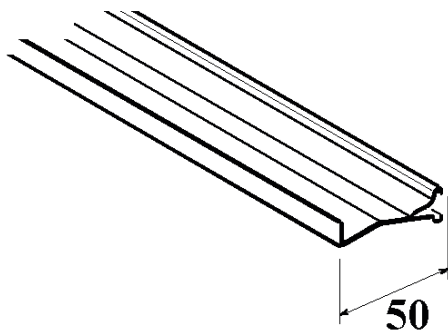


Delivered in length of 2m

For the separation of various types of currents allows (sector, telephone, data processing...)

Clip-on the trunking body

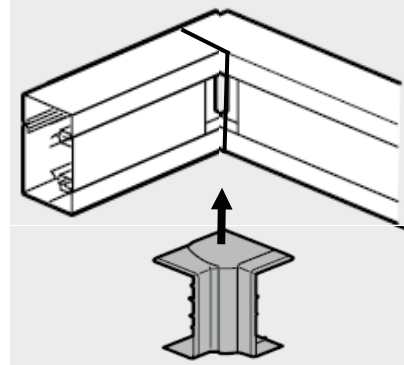
Use only on snap-on aluminium trunking 85x50 mm.



## 2. RANGE (cont.)

### ■ 2.1 Finishing accessories for snap-on aluminium Trunking

#### 2.2.1 Variable internal angle



Enables the junction in internal angle of two pieces of the same section:

- avoid the cut of miter on the trunking
- respects the degree protection
- improves aesthetics (covering of the cut)

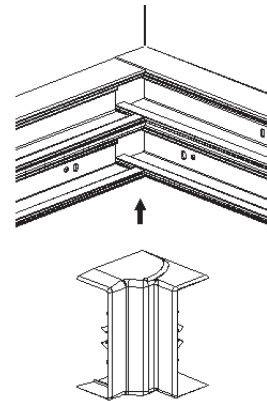
Clip-on on the body

Plastic ABS, painted in grey aluminium

Variable internal angles from 80 to 120°

The internal angles are delivered with 2 elements

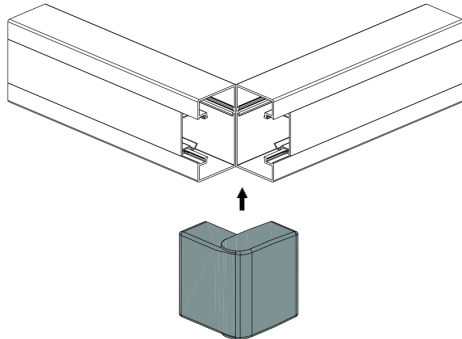
Trunking positioning:



Sections	Cat. nos
85x50	6 038 22
130x50	6 038 44

## 2. RANGE (cont.)

### 2.2.2 Variable external angle



Enables the junction in external angle of two pieces of the same section:

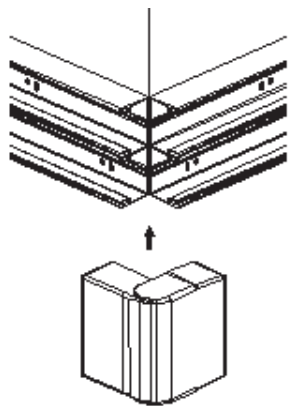
- avoid the cut of miter on the trunking
  - respects the degree protection
  - improves aesthetics (covering of the cut)
- Clip-on on the body.

Plastic ABS, painted in grey aluminium

Variable external angles from 60 to 120°

The external angles are delivered with 2 elements

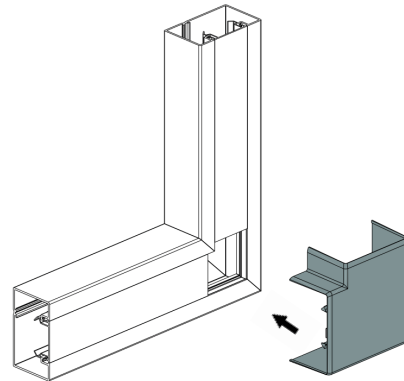
Trunking positioning:



Sections	Cat. nos
85x50	6 038 28
130x50	6 038 30

## 2. RANGE (cont.)

### 2.2.3 Non variable flat angle



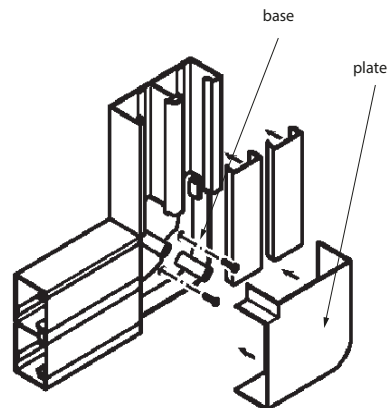
Enables the junction in flat angle of two same sections :

- respects of the degree protection
  - preserves the distribution of the various currents
  - improves aesthetics (covering of the cut)
- Clip-on on the body

Plastic ABS, painted in grey aluminium

Non variable angle: 90°

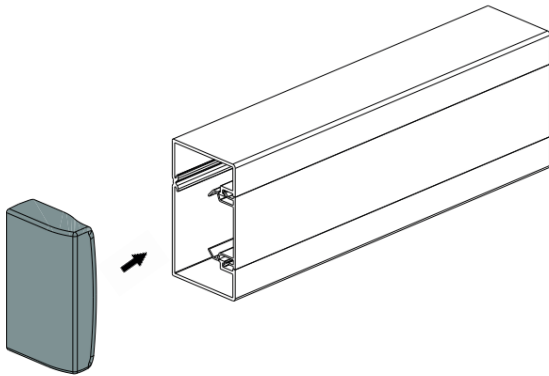
The flat angles are delivered with 2 elements



Sections	Cat. nos
85x50	6 038 34
130x50	6 038 36

## 2. RANGE (cont.)

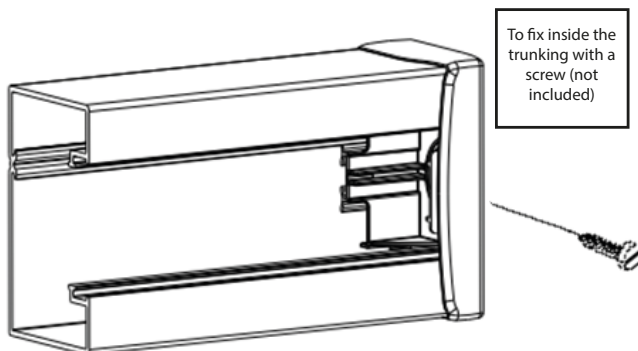
### 2.2.4 End cap



Enables to close the end of the trunking:  
- respect of the degree protection  
- improvement of aesthetics

Plastic ABS, painted in grey aluminium

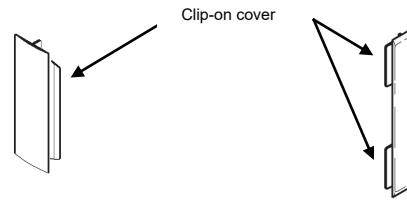
To fix by screwing:



Sections	Cat. nos
85x50	6 038 40
130x50	6 038 42

## 2. RANGE (cont.)

### 2.2.5 Cover joint



Enables:  
- the junction end to end of two covers  
- the respect of the degree protection  
- to improve aesthetics (covering of the cut)  
Clip-on on the body

Plastic ABS, painted in grey aluminium

Numbers	for cover width
6 038 019	45 mm

## 2. RANGE (cont.)

### 2.3 Wiring devices accessories: Fixing clip nr 6 038 57 & 6 038 58

Accessory for fixing wiring devices inside the snap-on trunking.

Enables :

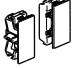

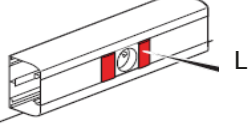
- anti-slip
- anti-pullout
- perfect finish
- respect of the degree protection (IP40)

Cat. nos	Color
6 038 57	white
6 038 58	grey aluminium painted

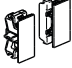

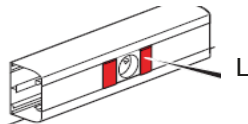
Pack by 10 sets of 2 peaces

Concerning the number max of Mosaic modules can be use between 2 fixing clips,  
please respect the installation below (as 1 pair for 8 modules max, 2 pairs for 16 modules etc...)

$L \leq 2 \times 45\text{mm}$

		
X 1	1 ---> 2	

$L > 3 \times 45\text{mm}$

		
X 2	3 ---> 4	
X 3	5 ---> 6	
X 4	7 ---> 8	

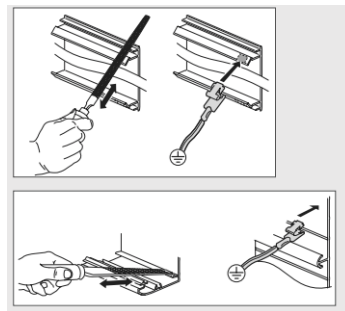
## 3. COMPLEMENTARY ACCESSOIRES

### 3.1 Earth link nr 0 111 88



For earthing all the elements of the Snap-on Aluminium trunking  
Length : 300 mm

Installation of the earth link



### 3.2 Coupling pin nr 0 6 038 59

Used to join 2 bodies, ensure perfect alignment of the Snap-on Aluminium trunkings.



**4. TECHNICAL CHARACTERISTICS**

Wiring capacity of Snap-on aluminium trunking

Snap-on trunking	Section mm <sup>2</sup>	Capacity	Maxi diameter	3x1,5 mm <sup>2</sup>	3x2,5 mm <sup>2</sup>	UTP & FTP CAT.6
85x50 nr 6 038 11	2940	Max	36	26	19	58
	2092	with 2PT+E sockets		18	13	41
	2618	with RJ socket		23	17	52
130x50 nr 6 038 13 2 compartments	2646	Max	36	23	17	52
	1256	with 2PT+E sockets		11	8	25
	1762	with RJ socket		15	11	35
	2616	Max	36	23	17	52
	1206	with 2PT+E sockets		10	7	24
	1732	with RJ socket		15	11	34

Classification of Snap-on aluminium trunking EN 50085-2-1

6.2 Resistance to impact for installation and application	2.0J
6.3 Minimum storage and transport temperature	- 25°C
6.3 Minimum installation and application temperature	+15°C
6.3 Maximum application temperature	+ 60°C
6.4 Resistance to flame propagation	Non-flame propagating
6.5 Electrical continuity characteristic	Without electrical continuity characteristic
6.6 Electrical insulating characteristic	With electrical insulating characteristic
6.7 Degrees of protection provided by enclosure	IP40
6.9 The system access cover retention	With a tool
6.101 The position when surface mounted	Wall fixed Ceiling fixed
6.103 The functions provided	Type 1
Rated voltage	500 V
Protection against mechanical shocks	IK 07

Impedance = 5 mOhm/m

Compositions and functions of Snap-on aluminium trunking (1 system per line)

Body+cover	Trunking		End cap
	Numbers	Section (mm <sup>2</sup> )	
85x50	6 380 11	3355	6 038 40
130x50	6 380 13	5479	6 038 42

**5. MATERIAL CHARACTERISTICS**

Trunking/cover => aluminium 6060-T5 anodic natural, conform to the Directive RoHS\*

Accessories => ABS painted in grey aluminium conform to the Directive RoHS\*

\*RoHS designation :

Restriction of the use of certain Hazardous Substances, RoHS in the Equipements Electriques and Electroniques (EEE)