

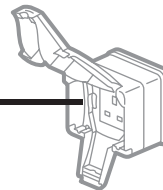
## 2 P+E socket outlets - British standard IP 66 - IK 08

### VEHICLE MANUFACTURER DETAILS

### INSTALLER DETAILS

MODE 2

100% electric vehicles  
 Rechargeable hybrid vehicles  
 Extended-range electric vehicles



2.5 mm<sup>2</sup>

Dedicated line  
 with 30 mA,  
 type A or HPI, 20 A  
 single phase RCBO  
 The earth  
 measurement  
 must be checked\*

Legrand Green'up Access  
 secure socket for day-to-day  
 charging of electric vehicles

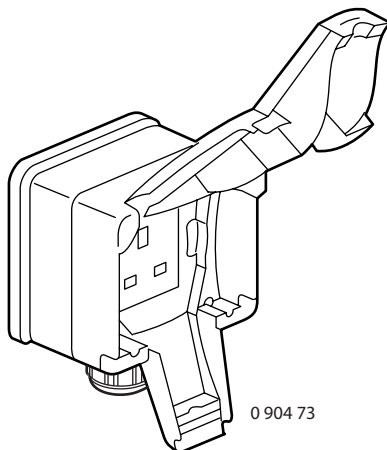
MODE 1

Scooters, quad bikes and light vehicles up  
 to 8 A

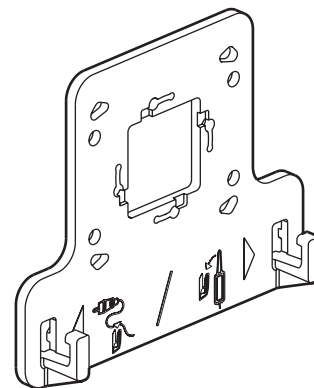


\*To be carried out by a professional electrician.

Scan this code to find the list of electricians who have been trained by Legrand on  
 Green'up electric vehicle sockets and charging stations:



0 904 73



0 904 78

### 1. USE

3 kVA, modes 1 and 2, 2 P+E, 13 A, 230 V, British standard socket outlet with safety shutters.

- For safe charging of electric vehicles supplied in modes 1 and 2 (charging on a domestic socket).
- Cost-effective, safe 2 P+E socket certified for all electric vehicles (mode 1 and mode 2). Equipped with optimised connection terminals, metal contacts with silver surface treatment (5 µm).
- Suitable for private houses and workplaces.
- It is connected from the electrical panel via a dedicated line (1 line per socket) with protection via a 30 mA - 40 A type A or Hpi RCBO. Bus cable Cat. No. 0 492 31 can be used as an option to migrate to the Green'Up Premium communication terminal (full mode 3 ready).

### 2. RANGE

Description	Cat. No.
2 P+E socket outlet - surface mounted Equipped with an ISO 20 cable gland on the socket outlet and an ISO 20 plug which is not fitted. Supplied with bracket Cat. No. 0 904 78.	0 904 73
Bracket with hooks For suspending the charging cable control box.	0 904 78

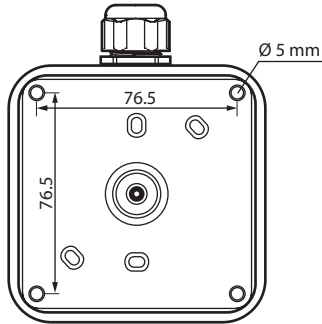
## 2 P+E socket outlets - British standard IP 66 - IK 08

### 3. POSITIONING

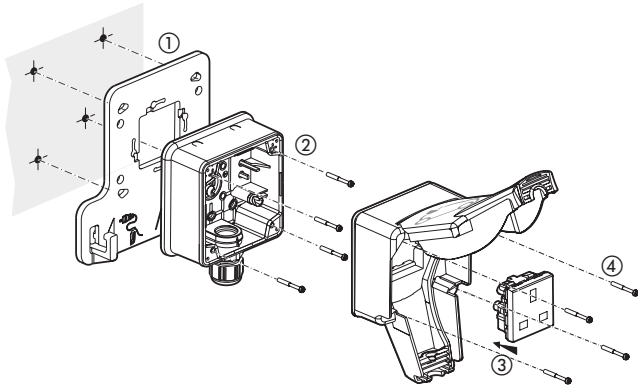
#### ■ 3.1 Fixing

The box is fixed onto the support frame using 2 (or 4) Ø 4 to 4.5 mm screws IP 66 weatherproof fixing for all surfaces.

ISO 20 - 1000 R02V cable  
Rigid or identical flexible type



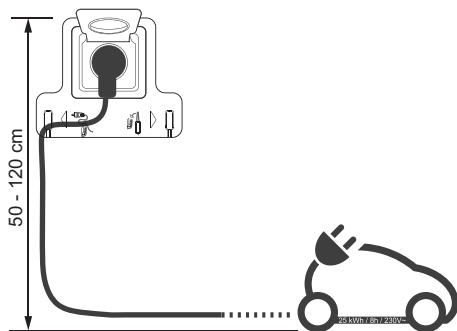
#### ■ 3.2 Assembly



The front part (mechanism cover) is attached to the box using 4 coarse pitch screws.  
(Min. tightening torque for IP 66: 0.5 Nm).

#### ■ 3.3 Installation recommendation

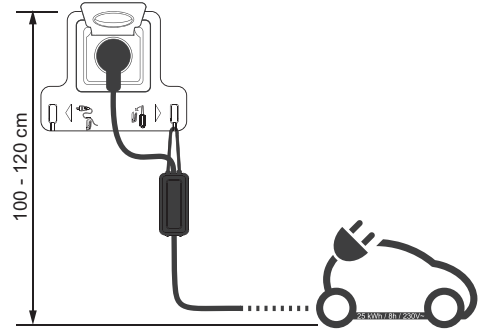
##### MODE 1



### 3. POSITIONING (continued)

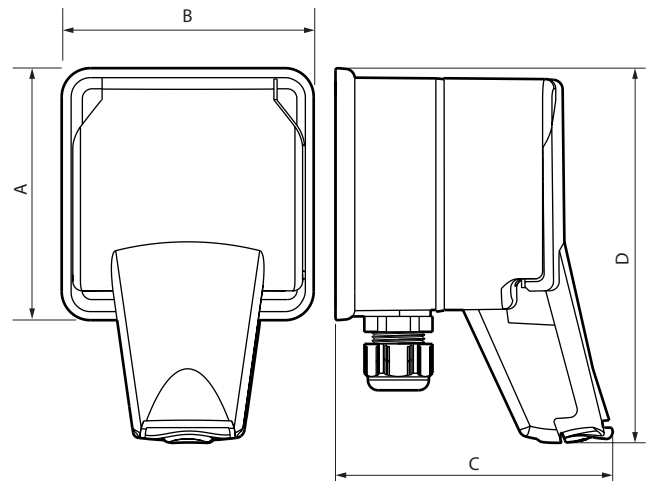
#### ■ 3.3 Installation recommendation

##### MODE 2

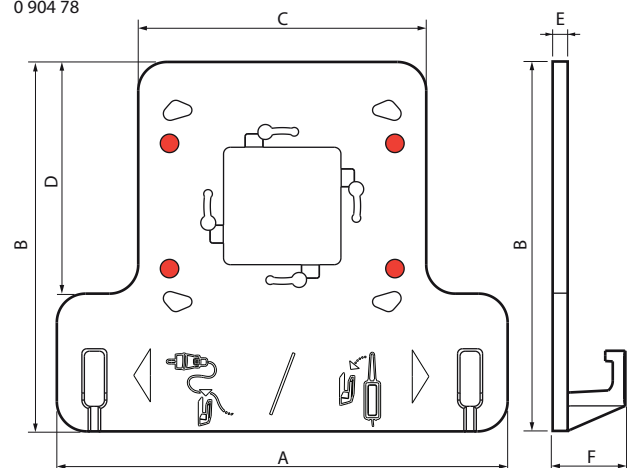


### 4. OVERALL DIMENSIONS (mm)

0 904 73



0 904 78



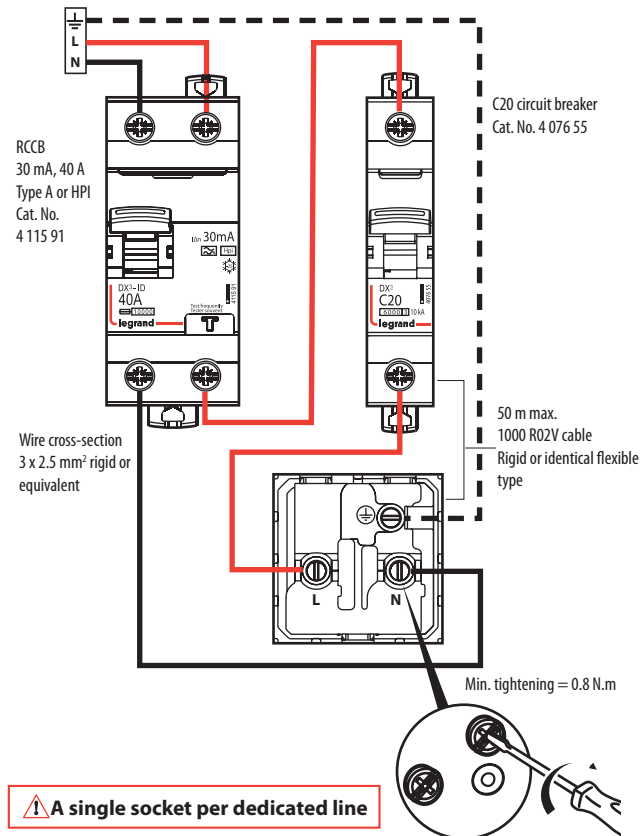
Cat. Nos	A	B	C	D	E	F
0 904 73	98	98	108	146	-	-
0 904 78	180	147.5	115	92.5	6	28

## 2 P+E socket outlets - British standard IP 66 - IK 08

### 5. CONNECTION

Pillar terminals supplied open, with screws locked in unscrewed position  
 Min. capacity: 1 x 1.5 mm<sup>2</sup>  
 Max. capacity: 1 x 6 mm<sup>2</sup> rigid or equivalent  
 Min. tightening torque: 0.8 Nm  
 Screwdriver: Flat, 3.5 to 5 mm  
 Phillips No. 1

#### ■ Installation wiring diagram



### 6. TECHNICAL FEATURES

#### 6.1 Mechanical features

Impact test: IK 08  
 Penetration by solid/liquid matter: IP 66

#### 6.2 Materials

- Box and cover: glass fibre reinforced polypropylene, colour light grey T029
- Mechanism: polycarbonate, colour grey RAL 7016
- Cover fixing screws: stainless steel
- Seal: SEBS elastomer, colour green (anise)

#### UV resistance:

No noticeable change in appearance following 7-day test with ≈ 550 W/m<sup>2</sup> lighting.

(Colorimetric measurement according to laboratory).

Withstands products which are:

- Chlorinated, pH 10-11
- Alkaline, pH 9-10
- Acid, pH 3

Salt spray resistance: 7 days (168 h)

Halogen-free material.

#### Self-extinguishing:

- + 850°C/30 s for insulating components holding live components in place.
- + 650°C for other components made of insulating materials.

### 6. TECHNICAL FEATURES (continued)

#### 6.3 Climatic features

Storage and usage temperatures: - 20°C to + 40°C

#### ■ 6.4 Electrical features

- Voltage: 250 V~

#### Please note:

Your installer will advise you on the most suitable electricity supply tariffs for charging your vehicle.  
 Always unplug the socket before starting the vehicle.  
 Only the cables supplied with the vehicle are authorised for use with the EV sockets.  
 Use of extension cables or adapters is prohibited.  
 The EVSE box must be suspended.  
 Use of a voltage surge protector is recommended.

#### 1) Socket performance when EV charging not in use

- 16 A - 2 P+E
- Frequency: 50/60 Hz

#### 2) Socket performance when charging an EV

- 25 kWh/8 h/230 V~

Charging all electric vehicles equipped with a mode 1 or mode 2 cable, and with batteries up to 25 kW/h capacity.

### 7. MAINTENANCE

Withstands high-pressure cleaning at 70 to 90 bar, at 70 to 80°C.  
 Surface cleaning with a dry cloth or cloth moistened with soapy water.  
 Do not use acetone, tar-removing cleaning agents or trichloroethylene.

### 8. ACCESSORIES

#### ■ 8.3 Bracket Cat. No. 0 904 78

Bracket with hooks  
 For suspending the charging cable control box.

#### ■ 8.4 ISO 20 cable gland Cat. No. 0 980 03

Spare part.

### 9. STANDARDS

Conforms to standards IEC 60884-1 and BS 1363.

Conforms to the LCIE test programme for qualification of EV reinforced sockets: 125 8-hour charge-discharge cycles at 14 A at 230 V~.