

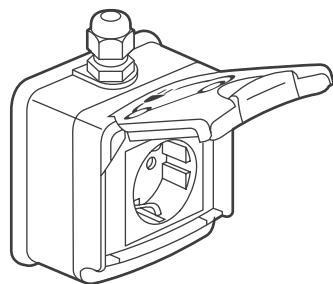
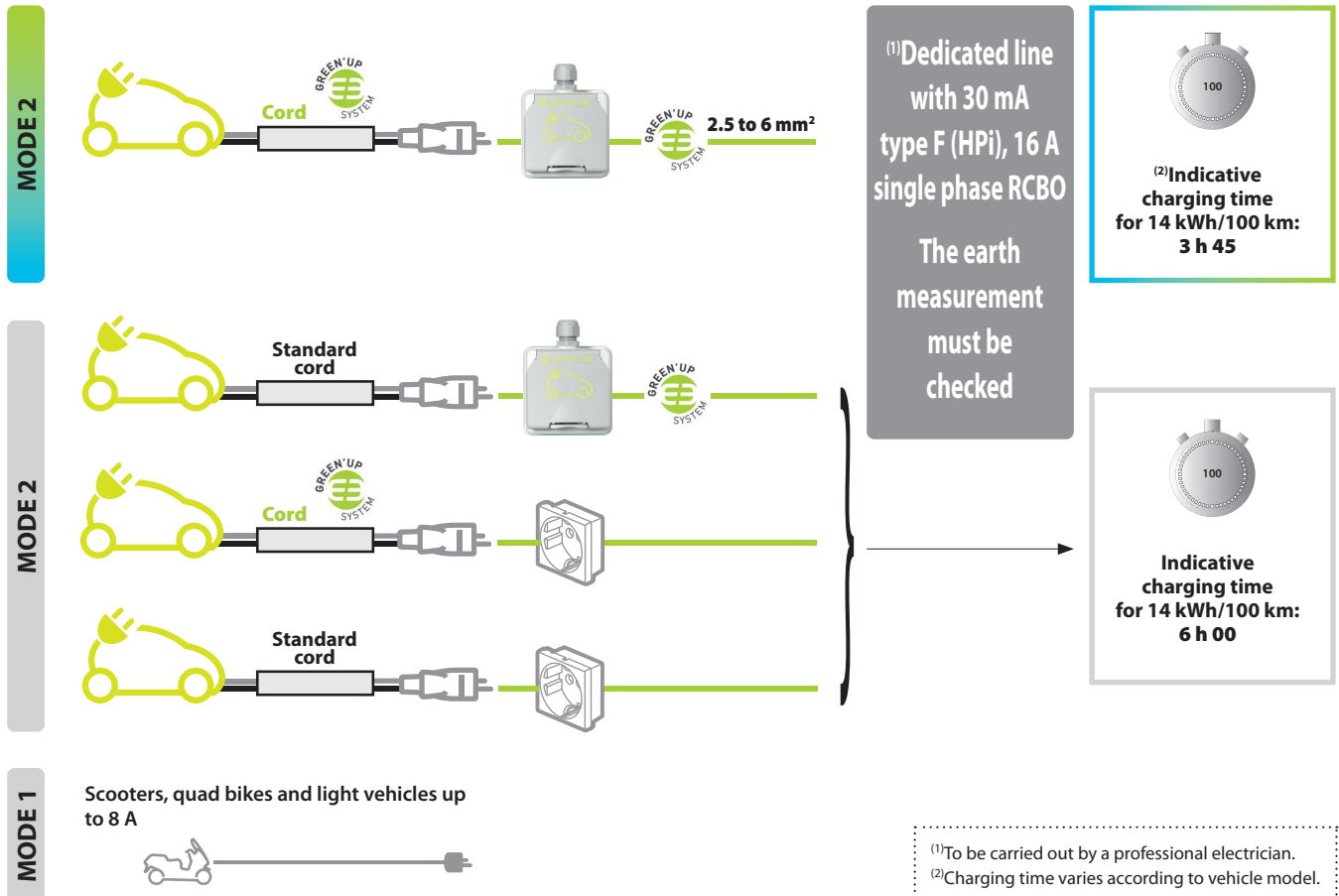
**2 P+E socket outlets - German standard  
IP 55 - IK 08**

VEHICLE MANUFACTURER DETAILS

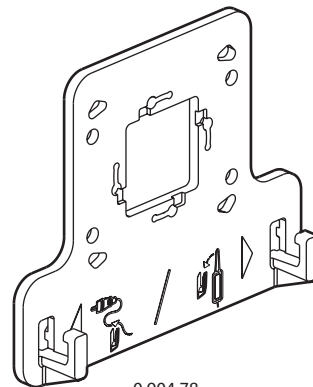
INSTALLER DETAILS



**Check with your vehicle manufacturer for availability of a charging cable compatible with the Green'up system.**



0 904 72



0 904 78

## 2 P+E socket outlets - German standard IP 55 - IK 08

### 1. USE

3.7 kW, modes 1 and 2, 2 P+E, 16 A, 230 V, German standard socket outlet with safety shutters.

- For safe charging of electric vehicles supplied in modes 1 and 2 (charging on a domestic socket).
- Cost-effective, safe 2 P+E socket certified for all electric vehicles (mode 1 and mode 2). Equipped with optimised connection terminals, metal contacts with silver surface treatment (5 µm). Equipped with **Green'up System**, a Legrand technology.
- **Patented Green'up System:** the EV detects the secure **Green'up Access** infrastructure and selects the maximum power that can be supplied via the socket (reduced charging time).
- Suitable for private houses and workplaces.
- It is connected from the electrical panel via a dedicated line (1 line per socket) with protection via a 30 mA - 16 A type F (HPI) RCBO.

### 2. RANGE

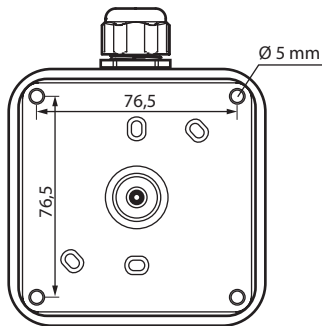
Description	Cat. No.
2 P+E socket outlet - surface mounted Equipped with an ISO 20 cable gland on the socket outlet and an ISO 20 plug which is not fitted. Supplied with bracket Cat. No. 0 904 78.	0 904 72
Bracket with hooks For suspending the charging cable control box.	0 904 78

### 3. POSITIONING

#### 3.1 Fixing

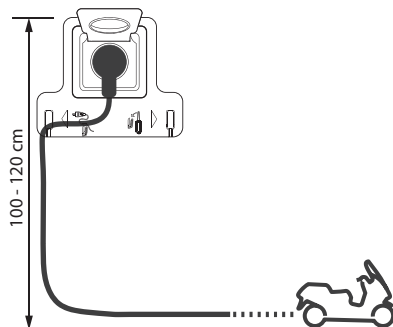
The box is fixed onto the support frame using 2 (or 4) Ø 4 to 4.5 mm screws IP 55 weatherproof fixing for all surfaces.

ISO 20 - 1000 R02V cable  
Rigid or identical flexible type



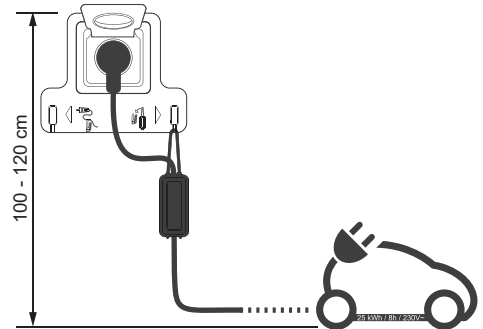
#### 3.2 Installation recommendation

##### MODE 1



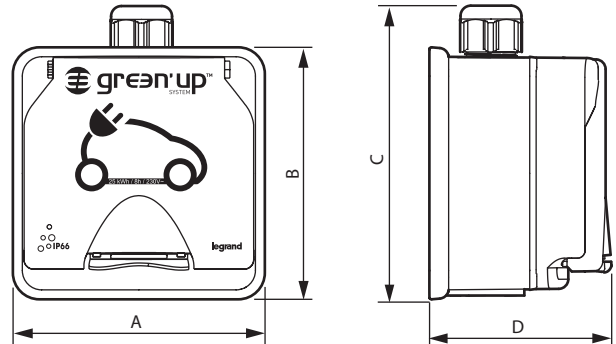
##### 3. POSITIONING (continued)

##### MODE 2

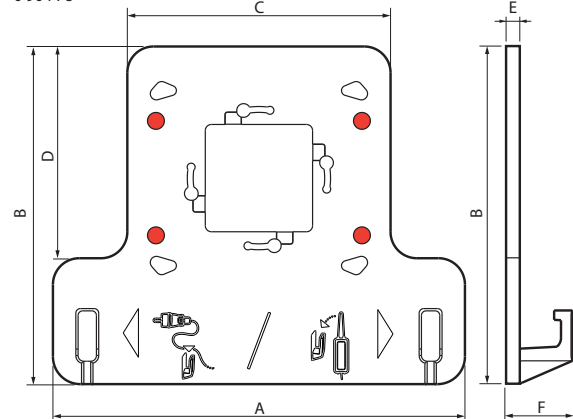


### 4. OVERALL DIMENSIONS (mm)

0 904 72



0 904 78



Cat. Nos	A	B	C	D	E	F
0 904 72	98	98	117	70	-	-
0 904 78	180	147.5	115	92.5	6	28

## 2 P+E socket outlets - German standard IP 55 - IK 08

### 5. CONNECTION

Pillar terminals supplied open, with screws locked in unscrewed position  
 Min. capacity: 1 x 1.5 mm<sup>2</sup>  
 Max. capacity: 1 x 6 mm<sup>2</sup> rigid or equivalent  
 Screwdriver: Flat, 3.5 to 5 mm  
 Phillips No. 1

#### Caution:

Install the RCBO separate from the other products in the cabinet to ensure the correct operation of the system.

### 6. TECHNICAL FEATURES

#### ■ 6.1 Mechanical features

Impact test: IK 08  
 Penetration by solid/liquid matter: IP 55

#### ■ 6.2 Materials

Box and cover: glass fibre reinforced polypropylene, colour light grey T029

Mechanism: polycarbonate, colour grey RAL 7016

Cover fixing screws: stainless steel

Seal: SEBS elastomer, colour green (anise)

UV resistance:

No noticeable change in appearance following 7-day test with ≈ 550 W/m<sup>2</sup> lighting.

(Colorimetric measurement according to laboratory).

Withstands products which are:

- Chlorinated, pH 10-11
- Alkaline, pH 9-10
- Acid, pH 3

Salt spray resistance: 7 days (168 h)

Halogen-free

Self-extinguishing:

850°C/30 s for insulating components holding live parts in place.

650°C for other insulating components.

#### ■ 6.3 Climate features

Usage temperature: -25°C to +40°C

Storage temperature: -25°C to +70°C

#### ■ 6.4 Electrical features

Voltage: 230 V~

Power: 3.7 kW

Current: 16 A

Frequency: 50/60 Hz

For safe charging of electric vehicles supplied in modes 1 and 2 (charging on a domestic socket).

#### Please note:

Your installer will advise you on the most suitable electricity supply tariffs for charging your vehicle.

Always unplug the socket before starting the vehicle.

Only the cables supplied with the vehicle are authorised for use with the EV sockets.

Use of extension cables or adapters is prohibited.

The EVSE box must be suspended.

Use of a voltage surge protector is recommended.

### 7. MAINTENANCE

Withstands high-pressure cleaning at 70 to 90 bar, at 70 to 80°C.

Surface cleaning with a dry cloth or cloth moistened with soapy water.

Do not use acetone, tar-removing cleaning agents or trichloroethylene.

**Caution:** Always test before using special cleaning products.

### 8. ACCESSORIES

**ISO 20 cable gland Cat. No. 0 980 03**

Spare part.

### 9. STANDARDS AND APPROVALS

Compliant with installation and manufacturing standards.

See e. catalogue.

Complies with the standard IEC 60884-1 (classification "for High-load 16 A")