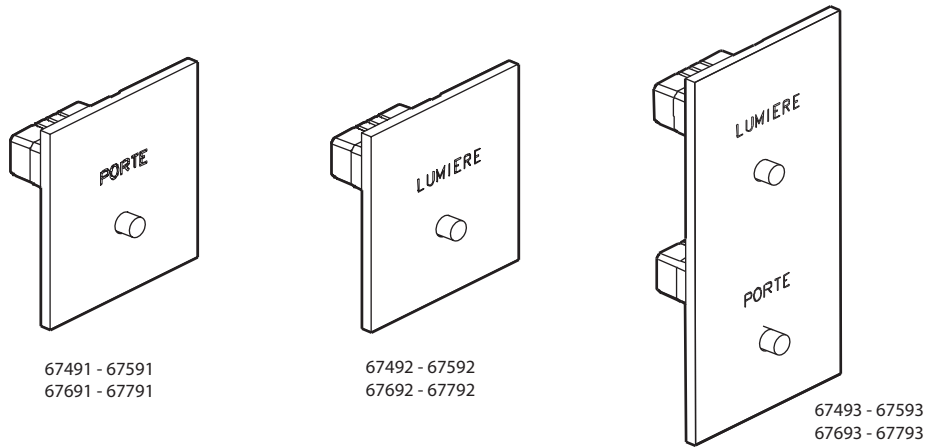


## Epure style Illuminated switches

Cat. No(s): AR-67491/92/93 - AR-67591/92/93  
 AR-67691/92/93 - AR-67791/92/93



67491 - 67591  
67691 - 67791

67492 - 67592  
67692 - 67792

67493 - 67593  
67693 - 67793

### 1. USE

2-module flush-mountable local control units with push-buttons.  
 Fitted with Art faceplate and an indicator for the illuminated and monitor functions.  
 Mechanisms supplied with site protection covers.

### 2. RANGE

#### "Porte" (door) illuminated switch

AR-67491	● Brushed steel
AR-67591	● Satin steel
AR-67691	● Mirror-polished steel
AR-67791	● Mirror-polished gold

#### "Lumière" (light) illuminated switch

AR-67492	● Brushed steel
AR-67592	● Satin steel
AR-67692	● Mirror-polished steel
AR-67792	● Mirror-polished gold

#### "Porte" + "Lumière" (door + light) illuminated switch

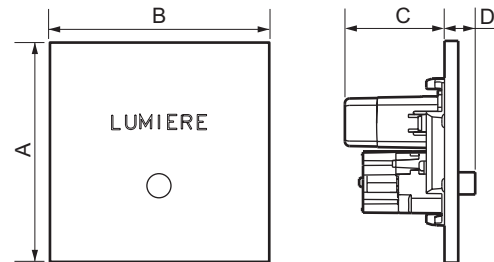
AR-67493	● Brushed steel
AR-67593	● Satin steel
AR-67693	● Mirror-polished steel
AR-67793	● Mirror-polished gold

**Note:** Other finishes and configurations are provided, see technical data sheet F02217EN/01.

### 3. CONNECTION

Terminal type: screw  
 Capacity: 1.5 mm<sup>2</sup>  
 Compatible flexible or rigid cable  
 Screwdriver: 4 mm flat

### 4. DIMENSIONS (mm)



Cat. Nos	A	B	C	D
AR-67491 - AR-67591- AR-67691 - AR-67791	80	80	35	10.5
AR-67492 - AR-67592- AR-67692 - AR-67792	80	80	35	10.5
AR-67493 - AR-67593 - AR-67693 - AR-67793	151	80	35	10.5

### 5. INSTALLATION

ART d'Arnoult electrical wiring accessories are supplied with long fixing screws which can be cut at several points to adapt the screw length to the box flush-mounting depth in the wall.

If ART d'Arnoult wiring accessories are being mounted in thick surfaces such as tiles, marble, wainscot panelling with flush-mounting boxes chased deep into the wall, the whole screw length can be used to fix the wiring accessory.

If ART d'Arnoult wiring accessories are being installed in walls with non-projecting flush-mounting boxes (masonry walls, dry partitions), the screws which can be cut at several points to shorten the thread.

To protect the products, it is essential to install them: once all surface coatings are completely dry, in a dry, non-aggressive environment, indoors only.

It is recommended that you install the plates only after the wall coatings have been completely finished (paint, fabrics, etc.).

#### Dismantling:

The plates can be dismantled by inserting the tip of a screwdriver in a purpose-designed notch on the sides of the plate and using it as a lever to unclip it from the fixing points.

Once the plate has been lifted off the wall slightly, just slide your fingers between the plate and the wall to gently remove the plate.

Take care not to pull too hard on the plate, to avoid breaking the fixing clips.

## 6. TECHNICAL CHARACTERISTICS

### ■ 6.1 Mechanical characteristics

Impact test: IK 02

Ingress of solids/liquids: IP 20

### ■ 6.2 Material characteristics

• Decorative brass + varnish:

Cat. Nos AR-67491 - AR-67591 - AR-67492 - AR-67592 - AR-67493 - AR-67593

• Decorative brass:

Cat. Nos AR-67691 - AR-67791 - AR-67692 - AR-67792 - AR-67693 - AR-67793

Self-extinguishing:

850°C/30 s for insulating components holding live parts in place

650°C/30 s for other insulating components

### ■ 6.3 Electrical characteristics

Voltage: 250 V~

Frequency: 50/60 Hz

Indicator: power 1 W - voltage 220 V

### ■ 6.4 Climate characteristics

Storage temperature: - 10°C to + 70°C

Operating temperature: - 5°C to + 35°C

## 7. CARE

Clean and dust using a soft, damp cloth (dampened with water) or wipes impregnated with a product containing less than 5% alcohol and anionic surfactant.

**Caution:** Always test before using other special cleaning products.

### Banned products

- Solvents, various essential oils, paint, or adhesive tape,
- Scouring powders (because are abrasive),
- Products containing bleach,
- Special products for stainless steel,
- Renovators (because they often contain abrasives and chemical agents),
- Splashes or fumes from floor, paint, or wood stripping products, etc.

### Caution:

Any mechanical attack or foreign object (screwdriver, etc.) striking the surface of the plate would damage the finish and therefore also the surface treatment.

## 8. REFERENCE CODES FOR COMPLETE MECHANISMS

Type references	Finish	Characteristics	Terminals	Control
C	Chrome-plated, Gold-plated	2 A - 250 V~	st	PBM

st: screw terminal

PBM: momentary contact push-button

## 9. STANDARDS AND APPROVALS

NF certified

Compliant with installation and manufacturing standards.

See e.catalogue.