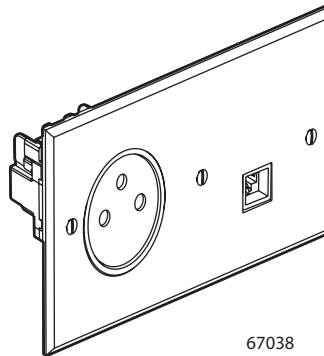


Mémoire Cristal style Mains voltage and ELV sockets

Cat. No(s): AR-67037/38/39



67038

1. USE

Functions: 2 P+E + TV socket outlets, 2 P+E + RJ 45 socket outlets and 2 P+E + RJ 45 + TV socket outlets.

Mechanisms supplied with a protective cover.

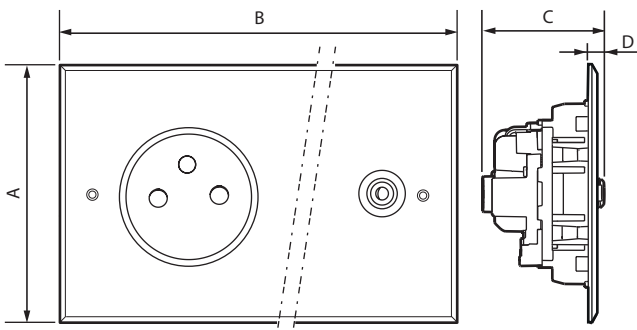
2. RANGE

Mains voltage and ELV sockets

Cat. No	Finish	Description
AR-67037	● Cristal	2 P+E + TV socket Consists of a 2 P+E socket - 16 A - 250 V~ and a single TV socket
AR-67038	● Cristal	2 P+E + RJ 45 socket Consists of a 2 P+E socket - 16 A - 250 V~ and a single TV socket
AR-67039	● Cristal	P2 P+E + RJ 45 + TV socket Consists of a 2 P+E socket - 16 A - 250 V~ and a single TV socket

Note: Other finishes and configurations are provided, see technical data sheet F02217EN/01

3. DIMENSIONS (mm)



Cat. Nos	A	B	C	D
AR-67037	80	222	41.5	5.5
AR-67038	80	151	39.5	3.5
AR-67039	80	151	41.5	5.5

4. ASSEMBLY

- Do not use an electric screwdriver to tighten the screws when assembling wiring accessories.
- Take care not to overtighten the visible screws when assembling Mémoire style wiring accessories:
 - Risk of damaging the screw heads.
 - Risk of the screwdriver slipping and permanently scratching the plate.
 - Risk of the plate warping (bending), resulting in the plate not lying flat against the wall.
 - Use a flat screwdriver (4 mm wide, 0.8 mm thick) for the screws supplied on the wiring accessory.

- ART d'Arnoult electrical wiring accessories are supplied with long fixing screws which can be cut at several points to adapt the screw length to the box flush-mounting depth in the wall.

If ART d'Arnoult wiring accessories are being mounted in thick surfaces such as tiles, marble, wainscot panelling with flush-mounting boxes chased deep into the wall, the whole screw length can be used to fix the wiring accessory.

If ART d'Arnoult wiring accessories are being installed in walls with non-projecting flush-mounting boxes (masonry walls, dry partitions), the screws which can be cut at several points to shorten the thread.

To protect the products, it is essential to install them: once all surface coatings are completely dry, in a dry, non-aggressive environment, indoors only.

It is recommended that you install the plates only after the wall coatings have been completely finished (paint, fabrics, etc.).

5. CONNECTION OF 2 P+E SOCKETS

Types of terminals: automatic
 Terminal capacity: 2 x 2.5 mm²
 Stripping length: 13 mm

6. TECHNICAL CHARACTERISTICS OF 2 P+E SOCKETS

6.1 Mechanical characteristics

Impact tests: IK 02
Ingress of solid bodies and liquids: IP 20

6.2 Material characteristics

- Cover plate of 2 P+E sockets flat surface : grey magnesium PC
- Plate: Cristal transparent PC
- Subplate: Inox
- Chrome screws
- Motor box: Polycarbonate PBT

Self-extinguishing:
850°C/30 s for insulating components holding live parts in place
650°C/30 s for other insulating components

6.3 Electrical characteristics

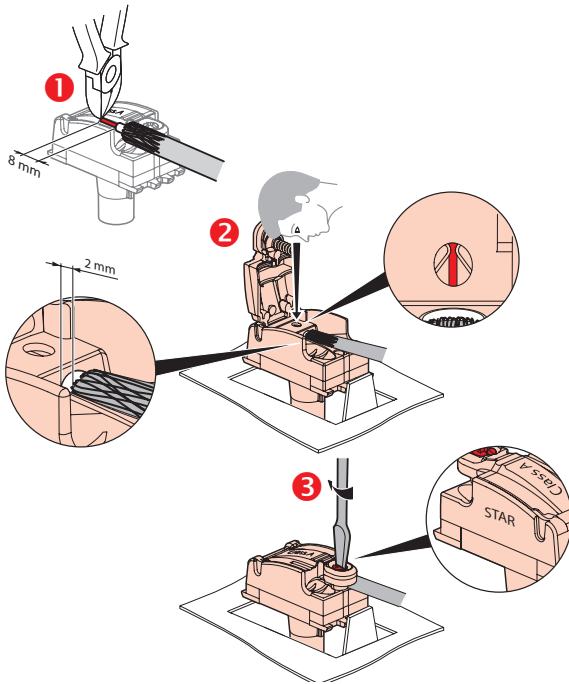
Voltage: 250 V~
Current: 16 A
Frequency: 50/60 Hz

6.4 Climate characteristics

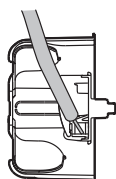
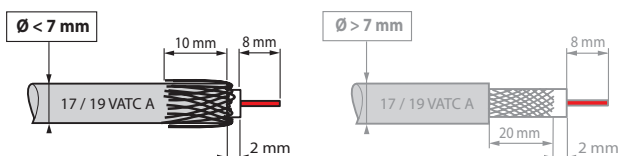
Storage temperature: - 10°C to + 70°C
Operating temperature: - 5°C to + 35°C

7. SINGLE TV SOCKET CONNECTION

7.1 Connection



7.2 Wiring instruction



The rear connection minimises deformation of the coaxial cable, preventing loss of impedance and deterioration in performance.

8. TECHNICAL CHARACTERISTICS OF SINGLE TV SOCKETS

8.1 Mechanical characteristics

Impact tests: IK 02
Penetration of solids bodies and liquids: IP 20

8.2 Material characteristics

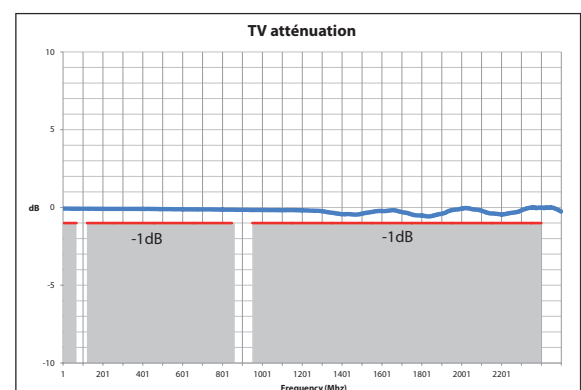
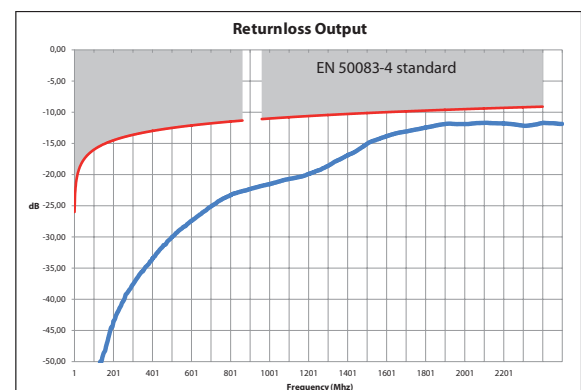
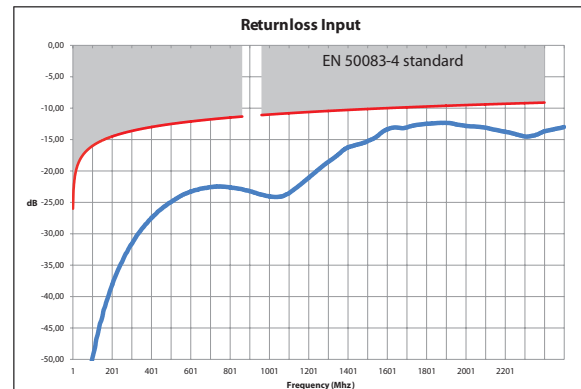
- Plates: (see section 6.2)
- Motor: • Box and cover: Zamak
- Pin: Bronze
- Screw: Zinc-plated steel

Sel-extinguishing: 650°C/30 s

8.3 Electrical characteristics

- Characteristic impedance: 75 Ohm
- Female "F" screw-type SAT connector \varnothing 9.4 mm
- Shielding efficiency: Class A (class A shielding is necessary to prevent interference caused by using new 3 and 4 G telephone signals, as these unwanted signals can generate on-screen pixellation or adversely affect the soundtrack).
- Frequency bands: TV/SAT: 0 - 2400 MHz
- Attenuation: 1 dB maximum
- Compatible with remote power feeding

8.4 Climate characteristics (see section 6.4)

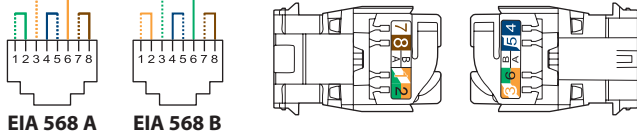


10. STANDARD RJ 45 CONNECTION

Takes the following plugs: RJ 11 (4 contacts), RJ 12 (6 contacts), RJ 45 (8 contacts UTP and 9 contacts FTP).

EIA/TIA 568 A and B dual colour code on terminals:

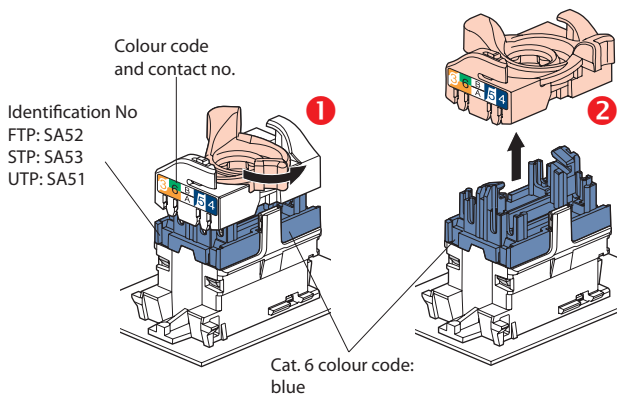
- FTP 9 contacts
- STP 9 contacts with 360° shielding



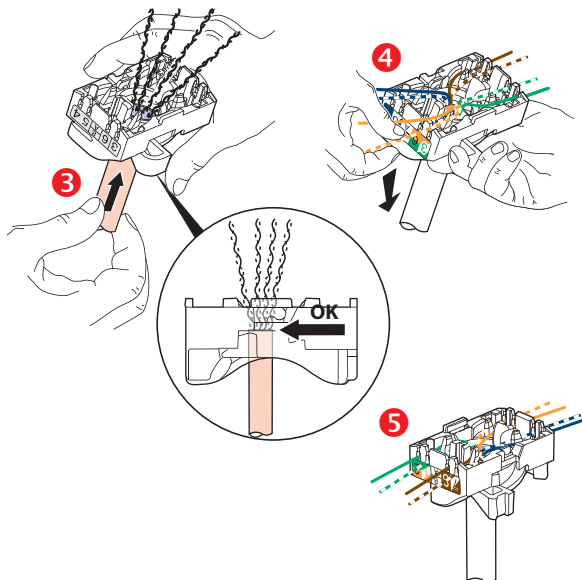
Permissible conductors:

- Single-core: AWG 22 to 26
- Multicore: AWG 26
- Polyethylene conductor insulation: maximum Ø on insulation 1.58 mm

RJ 45 connectors are equipped with a locking nut. They do not require a special tool and can be re-wired if a mistake is made.



This system makes it easy to spread pairs before fitting them onto the connector.



Spreading the cables ensures that a pair-breakage distance of 13 mm is kept between each pair.

Spreading pairs at 90° to the cable ensures the best possible performance.

10. TECHNICAL CHARACTERISTICS OF RJ 45 SOCKETS

■ 10.1 Mechanical characteristics

Impact test: IK 02
Ingress of solids bodies and liquids: IP 20

■ 10.2 Material characteristics

- Plates: (see section 6.2)
- Motor:
 - Contacts: gold/nickel, thickness of gold > 0.8 µm minimum
 - Metal parts: bronze, nickel, platinum, gold
 - Mechanism box: Polycarbonate PBT

Self-extinguishing: 650°C/30 s

■ 10.3 Caractéristiques électriques

Breakdown voltage ≥ 1000 V
Contact resistance ≤ 20 mΩ
Insulation resistance ≥ 500 MΩ under 100 V DC
Compatible remote powering « PoE » up to 100 W (IEEE 802.3af, IEEE 802.3at, IEEE 802.3bt).
Tests are carried out with 2 simultaneous POE+ circuits for a minimum total power of 50 W.

■ 10.4 Climate characteristics (see section 6.4)

11. CARE

Clean and dust using a soft, damp cloth (dampened with water) or wipes impregnated with a product containing less than 5% alcohol and anionic surfactant.

Caution: Always test before using other special cleaning products.

Banned products:

- Solvents, various essential oils, paint, or adhesive tape,
- Scouring powders (because are abrasive),
- Products containing bleach,
- Special products for stainless steel,
- Renovators (because they often contain abrasives and chemical agents),
- Splashes or fumes from floor, paint, or wood stripping products, etc.

Caution:

Any mechanical attack or foreign object (screwdriver, etc.) striking the surface of the plate would damage the finish and therefore also the surface treatment.

12. STANDARDS AND APPROVALS

Compliant with installation and manufacturing standards.
See e.catalogue.