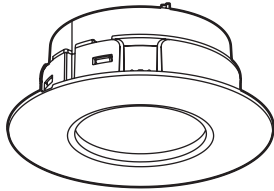
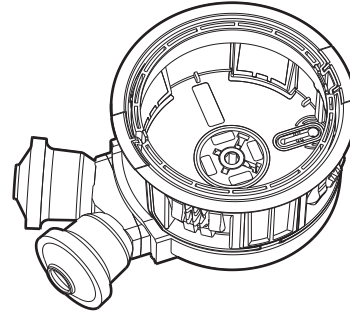


# Modul'up™ Complete IP44 spotlight kit

Cat. No(s): 0 885 35



Spotlight + white cover



Modul'up box

## 1. USE

Lighting appliance.

Complete spot kit includes:

- an IP44 spotlight with white cover
- a **Modul'up** center box Ø 80 mm depth 50 mm

Allows the realization of a complete assembly.

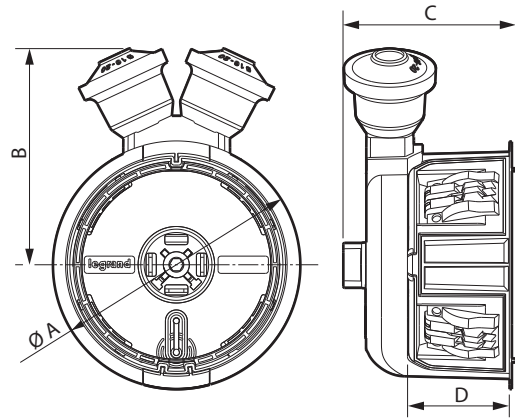
## 2. RANGE

### Description of spotlight kit Cat. No 0 885 35

	<p>Spotlight with variable LEDs:                  2 x 14 LEDs: with hot light selector: 7 LEDs                  or with cold light selector: 7 LEDs                  120° light diffuser.                  Can be controlled by a standard lighting control or wireless lighting control, single or dual control, IR detector (in combination with micromodule lighting receiver).</p>
	<p>Modul'up box for false ceiling                  Allows you to put your installation in standby, connecting a DCL, connected DCL, spot or E27 base.                  At the center point, can be used to suspend up to 25 kg.</p>

## 3. DIMENSIONS (mm) (continued)

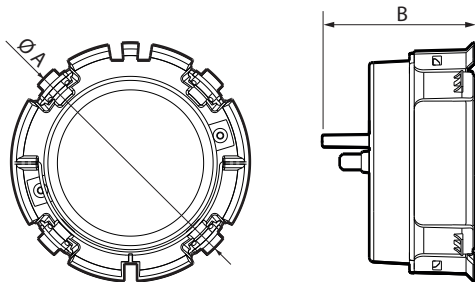
### Modul'up Box



Spotlight kit 0 885 35	A	B	C	D
<b>Spotlight</b>	Ø 93	48	-	-
<b>Modul'up Box</b>	Ø 86	75	60	50

## 3. DIMENSIONS (mm)

### Spotlight



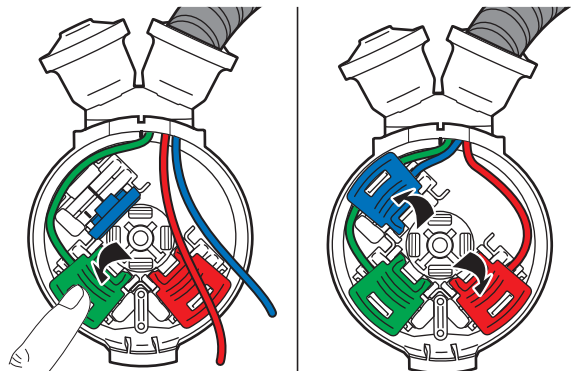
## 4. CONNECTION

### ■ 4.1 Spotlight

Tool-free automatic connection by simply plugging into the Modul'up box (0 885 00).

### ■ 4.2 Modul'up Box

Whitout tools or stripping  
 Cable section: 3 x 1.5 mm<sup>2</sup>  
 Conduit: 2 x (3 x 1.5 mm<sup>2</sup>)



## 5. TECHNICAL CHARACTERISTICS

### ■ 5.1 Mechanical characteristics

Protection against impacts: IK 04

Protection against solid bodies/liquids:

IP 44: Spotlight (mounted in the Modul'up Box)

IP 20: Modul'up Box

### ■ 5.2 Material characteristics

#### Spotlight :

- Casing: PC

- Diffuser: PC

- Cover: PC White RAL 9003

#### Modul'up Box:

- Casing: Black PC

- Box: Yellow PP + Membrane: grey SEBS

- End caps: PP + SEBS gray

- Ring: grey PP

UV resistance

Halogen-free

Self-extinguishing:

850°C/30 s for insulating parts holding live parts in place

650°C/30 s for other parts made of insulating materials

### ■ 5.3 Electrical characteristics

#### Spotlight:

Voltage: 220/240 V~

Frequency: 50/60 Hz

Power: 6 W

Luminous flux: 500 lm

Lifetime > 30000 hours

Energy efficiency class A +

Integrated surge protection

Class II

#### Box Modul'up:

Voltage: 250 V~

Current: 6 A

### ■ 5.4 Climate characteristics

Storage temperature: - 10°C to + 70°C

Use temperature: - 5°C to + 35°C

## 6. CARE

Clean the surface with a cloth.

Do not use acetone, tar-removing cleaning agents or trichloroethylene.

**Caution:** Always test before using special cleaning products.

## 7. STANDARDS AND APPROVALS

Compliant with installation and manufacturing standards.

See e-catalogue.

## 8. ACCESSORIES

0 885 38: Titane cover

0 885 39: Aluminium cover